

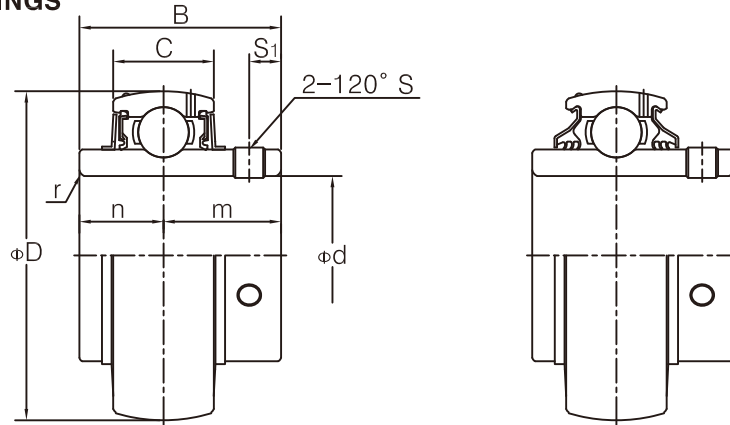
**C. Bearings
dimension table**

1. UC2	-----	C01
2. UCX	-----	C02
3. UC3	-----	C03
4. UR2	-----	C04
5. SB2/CSB2	-----	C05
6. SER2	-----	C06
7. HC2/CHC2	-----	C07
8. SA2/CSA2	-----	C08
9. UK2	-----	C09
10. UKX	-----	C10
11. UK3	-----	C11
12. SC2	-----	C12
13. ADAPTER (H2300)	-----	C13
14. ADAPTER (H300)	-----	C14

SET SCREW TYPE BEARINGS

UC2

(Cylindrical bore)

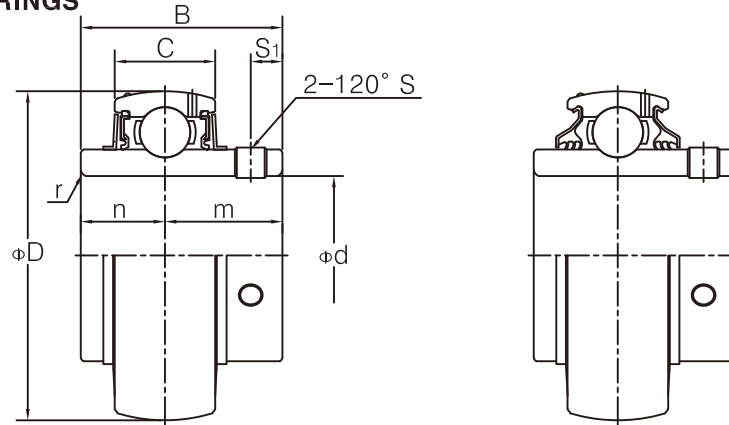


Unit No.	Shaft Dia.		Dimensions								Basic dynamic load rating (kgf)	Basic static load rating (kgf)	Weight (kgf)	
	d		(in./mm)											
	(in.)	(mm)	D	B	C	r	n	m	S ₁	S				
UC 201		12												0.21
201-8	1/2													0.21
202		15												0.19
202-10	5/8		1.8504	1.2205	0.6299	0.0397	0.5000	0.7205	0.1969	M5 x 0.8	1280	670		0.19
203		17	47	31.0	16	1.0	12.7	18.3	5	No. 10-32UNF				0.18
203-11	11/16													0.18
204-12	3/4													0.16
204		20												0.16
UC 205-13	13/16													0.23
205-14	7/8													0.23
205-15	15/16		2.0472	1.3425	0.6693	0.0397	0.5630	0.7795	0.2165	M5 x 0.8	1400	790		0.21
205		25	52	34.1	17	1.0	14.3	19.8	5.5	No. 10-32UNF				0.20
205-16	1													0.20
UC 206-17	1 1/16													0.34
206-18	1 1/8													0.34
206		30	2.4409	1.5000	0.7480	0.0591	0.6260	0.8740	0.2165	M6 x 0.75	1950	1130		0.32
206-19	1 3/16		62	38.1	19	1.5	15.9	22.2	5.5	1/4-28UNF				0.32
206-20	1/4													0.32
UC 207-20	1 1/4													0.54
207-21	1 5/16													0.51
207-22	1 3/8		2.8346	1.6890	0.7874	0.0591	0.6890	1.0000	0.2559	M6 x 0.75	2570	1540		0.48
207		35	72	42.9	20	1.5	17.5	25.4	6.5	1/4-28UNF				0.48
207-23	1 7/16													0.45
UC 208-24	1 1/2													0.68
208-25	1 9/16													0.65
208		40	3.1496	1.9370	0.8268	0.0787	0.7480	1.1890	0.3346	M8 x 1.0	2910	1790		0.64
			80	49.2	21	2.0	19.0	30.2	8.5	5/16-24UNF				0.64
UC 209-26	1 5/8													0.78
209-27	1 11/16													0.74
209-28	1 3/4		3.3465	1.9370	0.8661	0.0787	0.7480	1.1890	0.3346	M8 x 1.0	3200	2040		0.70
209		45	85	49.2	22	2.0	19.0	30.2	8.5	5/16-24UNF				0.68
UC 210-29	1 13/16													0.87
210-30	1 7/8													0.87
210-31	1 15/16		3.5433	2.0315	0.9055	0.0787	0.7480	1.2835	0.3937	M8 x 1.0	3510	2320		0.82
210		50	90	51.6	23	2.0	19.0	32.6	10	5/16-24UNF				0.80
210-32	2													0.80
UC 211-31	1 15/16													1.26
211-32	2													1.26
211-34	2 1/8		3.9370	2.1890	0.9843	0.0787	0.8740	1.3150	0.3937	M8 x 1.0	4330	2940		1.15
211		55	100	55.6	25	2.0	22.2	33.4	10	5/16-24UNF				1.11
211-35	2 3/16													1.09
UC 212-36	2 1/4													1.67
212		60												1.54
212-37	2 5/16		4.3307	2.5630	1.0630	0.0984	1.0000	1.5630	0.4724	M10 x 1.25	5240	3610		1.54
212-38	2 3/8		110	65.1	27	2.5	25.4	39.7	12	3/8-24UNF				1.52
212-39	2 7/16													1.45
UC 213-40	2 1/2													1.94
213		65	4.7244	2.5630	1.1417	0.0984	1.0000	1.5630	0.4724	M12 x 1.5	5720	4000		1.85
			120	65.1	29	2.5	25.4	39.7	12	7/16-20UNF				1.85
UC 214-43	2 11/16													2.06
214-44	2 3/4													2.06
214		70	4.9213	2.9370	1.1417	0.0984	1.1890	1.7480	0.5118	M12 x 1.5	6220	4400		2.05
			125	74.6	29	2.5	30.2	44.4	13	7/16-20UNF				2.05
UC 215-46	2 7/8													2.32
215-47	2 15/16													2.32
215		75	5.1181	3.0630	1.1811	0.0984	1.3110	1.7520	0.5118	M12 x 1.5	6740	4820		2.21
215-48	3		130	77.8	30	2.5	33.3	44.5	13	7/16-20UNF				2.12
UC 216		80	5.5118	3.2520	1.2598	0.1181	1.3110	1.9410	0.5909	M12 x 1.5	7260	5300		2.79
			140	82.6	32	3.0	33.3	49.3	15	7/16-20UNF				2.79
UC 217-52	3 1/4													3.66
217		85	5.9055	3.3740	1.3386	0.1181	1.3425	2.0315	0.5909	M12 x 1.5	8390	6180		3.45
			150	85.7	34	3.0	34.1	51.6	15	7/16-20UNF				3.45
UC 218-56	3 1/2													4.46
218		90	6.2992	3.7795	1.4173	0.1181	1.5630	2.2165	0.6299	M12 x 1.5	9600	7140		4.35
			160	96.0	36	3.0	39.7	56.3	16	7/16-20UNF				4.35

SET SCREW TYPE BEARINGS

UCX

(Cylindrical bore)

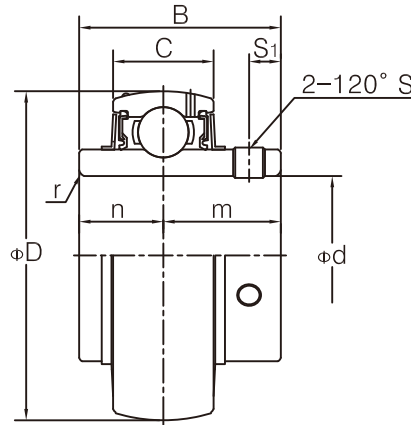


Unit No.	Shaft Dia.		Dimensions (in./mm)								Basic dynamic load rating (kgf)	Basic static load rating (kgf)	Weight (kgf)
	d		D	B	C	r	S	S ₁	S ₂	G			
	(in.)	(mm)											
UCX 05-13 05-14 05-15 05 05-16	13/16 7/8 15/16 1	25	2.4409 62	1.5000 38.1	0.7480 19	0.0591 1.5	0.6260 15.9	0.8740 22.2	0.2362 6.0	M6 x 0.75 1/4-28UNF	1950	1130	0.42 0.42 0.39 0.39 0.38
UCX 06-17 X 06-18 X 06 X 06-19 X 06-20	11/16 1 1/8 1 3/16 1 1/4	30	2.8346 72	1.6890 42.9	0.7874 20	0.0591 1.5	0.6860 17.5	1.0000 25.4	0.2755 7.0	M6 x 0.75 1/4-28UNF	2570	1540	0.61 0.61 0.58 0.58 0.55
UCX 07-20 X 07-21 X 07-22 X 07 X 07-23	1 1/4 1 5/16 1 3/8 1 7/16	35	3.1496 80	1.9370 49.2	0.8268 21	0.0787 2.0	0.7480 19.0	1.1890 30.2	0.3543 9.0	M8 x 1.0 5/16-24UNF	2910	1790	0.78 0.78 0.75 0.75 0.72
UCX 08-24 X 08-25 X 08	1 1/2 1 9/16	40	3.3465 85	1.9370 49.2	0.8661 22	0.0787 2.0	0.7480 19.0	1.1890 30.2	0.3543 9.0	M8 x 1.0 5/16-24UNF	3200	2040	0.87 0.87 0.83
UCX 09-26 X 09-27 X 09-28 X 09	1 5/8 1 11/16 1 3/4	45	3.5433 90	2.0315 51.6	0.9055 23	0.0787 2.0	0.7480 19.0	1.2835 32.6	0.3937 10.0	M8 x 1.0 5/16-24UNF	3510	2320	1.00 1.00 0.97 0.95
UCX 10-30 X 10-31 X 10 X 10-32	1 7/8 1 15/16 2	50	3.9370 100	2.1890 55.6	0.9843 25	0.0787 2.0	0.8740 22.2	1.3150 33.4	0.3937 10.0	M8 x 1.0 5/16-24UNF	4330	2940	1.32 1.32 1.29 1.26
UCX 11-31 X 11-32 X 11-34 X 11 X 11-35	1 15/16 2 2 1/8 2 3/16	55	4.3307 110	2.5630 65.1	1.0630 27	0.0984 2.5	1.0000 25.4	1.5630 39.7	0.4724 12.0	M10 x 1.25 3/8-24UNF	5240	3610	1.83 1.83 1.80 1.80 1.78
UCX 12-36 X 12 X 12-37 X 12-38 X 12-39	2 1/4 2 5/16 2 3/8 2 7/16	60	4.7244 120	2.5630 65.1	1.1417 29	0.0984 2.5	1.0000 25.4	1.5630 39.7	0.4724 12.0	M12 x 1.5 7/16-20UNF	5720	4000	2.08 2.05 2.05 2.03 1.95
UCX 13-40 X 13	2 1/2	65	4.9213 125	2.9370 74.6	1.1417 29	0.0984 2.5	1.1890 30.2	1.7480 44.4	0.5118 13.0	M12 x 1.5 7/16-20UNF	6220	4400	2.61 2.52
UCX 14-43 X 14-44 X 14	2 11/16 2 3/4	70	5.1181 130	3.0630 77.8	1.1811 30	0.0984 2.5	1.3110 33.3	1.7520 44.5	0.5118 13.0	M12 x 1.5 7/16-20UNF	6740	4820	2.78 2.75 2.74
UCX 15-47 X 15 X 15-48	2 15/16 3	75	5.5118 140	3.2520 82.6	1.2598 32	0.1181 3.0	1.3110 33.3	1.9410 49.3	0.5905 15.0	M12 x 1.5 7/16-20UNF	7260	5300	3.45 3.41 3.32
UCX 16		80	5.9055 150	3.3740 85.7	1.3386 34	0.1181 3.0	1.3425 34.1	2.0315 51.6	0.5905 15.0	M12 x 1.5 7/16-20UNF	8390	6180	3.87
UCX 17 X 17-52 X 17-55	3 1/4 3 7/16	85	6.2992 160	3.7795 96.0	1.4173 36	0.1181 3.0	1.5630 39.7	2.2165 56.3	0.6299 16.0	M12 x 1.5 7/16-20UNF	9600	7140	5.05 4.96 4.90
X 18-56 UCX 18	3 1/2	90	6.6929 170	4.0944 104	1.5748 40	0.1378 3.5	1.6900 42.9	2.4055 61.1	0.6299 16.0	M14 x 1.5 9/16-18UNF	10900	8710	6.10 6.00
UCX 20 X 20-63 X 20-64	3 15/16 4	100	7.4803 190	4.6260 117.5	1.6929 43	0.1378 3.5	1.9370 49.2	2.6890 68.3	0.7087 18.0	M16 x 1.5 5/8-18UNF	13300	10500	8.56 8.51 8.47

SET SCREW TYPE BEARINGS

UC3

(Cylindrical bore)

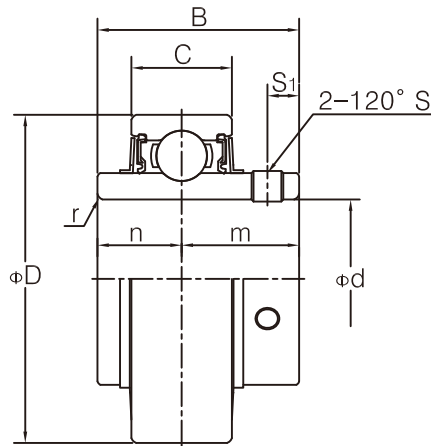


Unit No.	Shaft Dia.		Dimensions (in./mm)								Basic dynamic load rating (kgf)	Basic static load rating (kgf)	Weight (kgf)
	d (in.)	d (mm)	D	B	C	r	n	m	S ₁	S			
UC 305 305-16	1	25	2.4409 62	1.4961 38	0.8661 22	0.0787 2.0	0.5906 15	0.9055 23	0.2362 6	M6 x 0.75 1/4-28UNF	2100	1090	0.45 0.44
UC 306-18 306	1 1/18	30	2.8346 72	1.6929 43	0.9449 24	0.0787 2.0	0.6693 17	1.0236 26	0.2362 6	M6 x 0.75 1/4-28UNF	2660	1500	0.58 0.56
UC 307-20 307-22 307 307-23	1 1/4 1 3/8 1 7/16	35	3.1496 80	1.8897 48	1.0236 26	0.0984 2.5	0.7480 19	1.1417 29	0.3150 8	M8 x 1.0 5/16-24UNF	3330	1920	0.77 0.71 0.71 0.65
UC 308-24 308	1 1/2	40	3.5433 90	2.0472 52	1.1024 28	0.0984 2.5	0.7480 19	1.2992 33	0.3937 10	M10 x 1.25 3/8-24UNF	4070	2390	1.05 1.00
UC 309-28 309	1 3/4	45	3.9370 100	2.2441 57	1.1811 30	0.0984 2.5	0.8661 22	1.3780 35	0.3937 10	M10 x 1.25 3/8-24UNF	4890	2950	1.35 1.33
UC 310-31 310	1 15/16	50	4.3307 110	2.4015 61	1.2598 32	0.1181 3.0	0.8661 22	1.5354 39	0.4724 12	M12 x 1.5 7/16-20UNF	6200	3820	1.72 1.69
UC 311-32 311	2	55	4.7244 120	2.5984 66	1.3386 34	0.1181 3.0	0.9842 25	1.6142 41	0.4724 12	M12 x 1.5 7/16-20UNF	7160	4480	2.08 1.90
UC 312		60	5.1181 130	2.7953 71	1.4173 36	0.1378 3.5	1.0236 26	1.7717 45	0.4724 12	M12 x 1.5 7/16-20UNF	8180	5200	2.60
UC 313-40 313	2 1/2	65	5.5118 140	2.9528 75	1.4961 38	0.1378 3.5	1.1811 30	1.7717 45	0.4724 12	M12 x 1.5 7/16-20UNF	9270	5980	3.24 3.16
UC 314-44 314	2 3/4	70	5.9055 150	3.0709 78	1.5748 40	0.1378 3.5	1.2992 33	1.7717 45	0.4724 12	M12 x 1.5 7/16-20UNF	10400	6800	3.91 3.90
UC 315 315-48	3	75	6.2992 160	3.2283 82	1.6535 42	0.1378 3.5	1.2598 32	1.9685 50	0.5512 14	M14 x 1.5 9/16-18UNF	11300	7690	4.70 4.61
UC 316		80	6.6929 170	3.3858 86	1.7323 44	0.1378 3.5	1.3386 34	2.0472 52	0.5512 14	M14 x 1.5 9/16-18UNF	12300	8640	5.60
UC 317		85	7.0866 180	3.7795 96	1.8110 46	0.1575 4.0	1.5748 40	2.2047 56	0.6299 16	M16 x 1.5 5/8-18UNF	13300	9650	6.90
UC 318-56 318	3 1/2	90	7.4803 190	3.7795 96	1.8898 48	0.1575 4.0	1.5748 40	2.2047 56	0.6299 16	M16 x 1.5 5/8-18UNF	14300	10700	8.03 7.87
UC 319		95	7.8740 200	4.0551 103	1.9685 50	0.1575 4.0	1.6142 41	2.4409 62	0.7087 18	M16 x 1.5 5/8-18UNF	15300	11800	8.91
UC 320 320-64	4	100	8.4646 215	4.2519 108	2.2160 54	0.1575 4.0	1.6535 42	2.5984 66	0.7874 20	M18 x 1.5 5/8-18UNF	17300	14100	11.2 11.0
UC 321		105	8.8583 225	4.4094 112	2.2047 56	0.1575 4.0	1.7322 44	2.6772 68	0.7874 20	M18 x 1.5 5/8-18UNF	18400	15300	12.7
UC 322		110	9.4488 240	4.6063 117	2.3622 60	0.1575 4.0	1.8110 46	2.7953 71	0.7874 20	M18 x 1.5 5/8-18UNF	20500	17900	15.1
UC 324		120	10.2362 260	4.9606 126	2.5197 64	0.1575 4.0	2.0079 51	2.9527 75	0.7874 20	M18 x 1.5 5/8-18UNF	20700	18500	19.0
UC 326 326-82	5 1/8	130	11.0236 280	5.3150 135	2.6772 68	0.1969 5.0	2.1260 54	3.1890 81	0.7874 20	M20 x 1.5 3/4-16UNF	22900	21400	23.6 23.6
UC 328 328-88	5 1/2	140	11.8110 300	5.7086 145	2.8346 72	0.1969 5.0	2.3228 59	3.3858 86	0.7874 20	M20 x 1.5 3/4-16UNF	25300	24600	29.4 29.4

SET SCREW TYPE BEARINGS

UR2

(Cylindrical outside diameter)

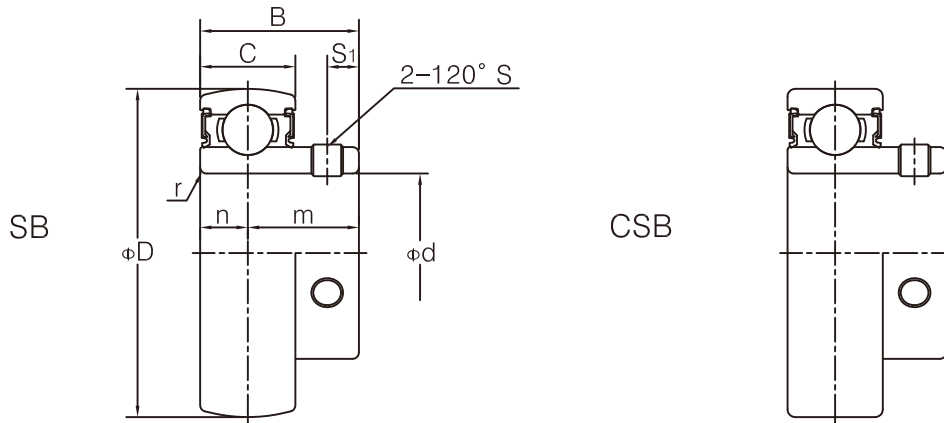


Unit No.	Shaft Dia.		Dimensions (in./mm)								Basic dynamic load rating (kgf)	Basic static load rating (kgf)	Weight (kgf)
	d		D	B	C	r	n	m	S ₁	S			
	(in.)	(mm)											
UR 201		12											0.21
201-8	1/2												0.21
202		15											0.19
202-10	5/8		1.8504	1.2205	0.6299	0.0397	0.5000	0.7205	0.1969	M5 x 0.8	1280	670	0.19
203		17	47	31.0	16	1.0	12.7	18.3	5.0	No.10-32UNF			0.18
203-11	11/16												0.18
204-12	3/4												0.16
204		20											0.16
UR 205-13	13/16												0.23
205-14	7/8		2.0472	1.3425	0.6693	0.0397	0.5630	0.7795	0.2165	M5 x 0.8	1400	790	0.23
205-15	15/16		52	34.1	17	1.0	14.3	19.8	5.5	No.10-32UNF			0.21
205		25											0.20
205-16	1												0.20
UR 206-17	1 1/16												0.34
206-18	1 1/8		2.4409	1.5000	0.7480	0.0591	0.6260	0.8740	0.2362	M6 x 0.75	1950	1130	0.34
206		30	62	38.1	19	1.5	15.9	22.2	6.0	1/4-28UNF			0.32
206-19	1 3/16												0.32
206-20	1 1/4												0.32
UR 207-20	1 1/4												0.54
207-21	1 5/16		2.8346	1.6890	0.7874	0.0591	0.6890	1.0000	0.2755	M6 x 0.75	2570	1540	0.51
207-22	1 3/8		72	42.9	20	1.5	17.5	25.4	7.0	1/4-28UNF			0.48
207		35											0.48
207-23	1 7/16												0.45
UR 208-24	1 1/2												0.68
208-25	1 9/16		3.1496	1.9370	0.8268	0.0787	0.7480	1.1890	0.3543	M8 x 1.0	2910	1790	0.65
208		40	80	49.2	21	2.0	19.0	30.2	9.0	5/16-24UNF			0.64
UR 209-26	1 5/8												0.78
209-27	1 11/16		3.3465	1.9370	0.8661	0.0787	0.7480	1.1890	0.3543	M8 x 1.0	3200	2040	0.74
209-28	1 3/4		85	49.2	22	2.0	19.0	30.2	9.0	5/16-24UNF			0.70
209		45											0.68
UR 210-29	1 13/16												0.87
210-30	1 7/8		3.5433	2.0315	0.9055	0.0787	0.7480	1.2835	0.3937	M8 x 1.0	3510	2320	0.87
210-31	1 15/16		90	51.6	23	2.0	19.0	32.6	10.0	5/16-24UNF			0.82
210		50											0.80
210-32	2												0.80
UR 211-31	1 15/16												1.26
211-32	2		3.9370	2.1890	0.9843	0.0787	0.8740	1.3150	0.3937	M8 x 1.0	4330	2940	1.26
211-34	2 1/8		100	55.6	25	2.0	22.2	33.4	10.0	5/16-24UNF			1.15
211		55											1.11
211-35	2 3/16												1.09
UR 212-36	2 1/4												1.67
212-37	2 5/16		4.3307	2.5630	1.0630	0.0984	1.0000	1.5630	0.4724	M10 x 1.25	5240	3610	1.54
212		60	110	65.1	27	2.5	25.4	39.7	12.0	3/8-24UNF			1.54
212-38	2 3/8												1.52
212-39	2 7/16												1.45
UR 213-40	2 1/2												1.94
213		65	4.7244	2.5630	1.1417	0.0984	1.0000	1.5630	0.4724	M12 x 1.5	5720	4000	1.85
			120	65.1	29	2.5	25.4	39.7	12.0	7/16-20UNF			
UR 214-43	2 11/16												2.06
214-44	2 3/4		4.9213	2.9370	1.1417	0.0984	1.1890	1.7480	0.4724	M12 x 1.5	6220	4400	2.06
214		70	125	74.6	29	2.5	30.2	44.4	12.0	7/16-20UNF			2.05
UR 215-46	2 7/8												2.32
215-47	2 15/16		5.1181	3.0630	1.1811	0.0984	1.3110	1.7520	0.5118	M12 x 1.5	6740	4820	2.32
215		75	130	77.8	30	2.5	33.3	44.5	13.0	7/16-20UNF			2.21
215-48	3												2.12

SET SCREW TYPE BEARINGS

SB2 CSB2

(Cylindrical bore / Cylindrical outside diameter)

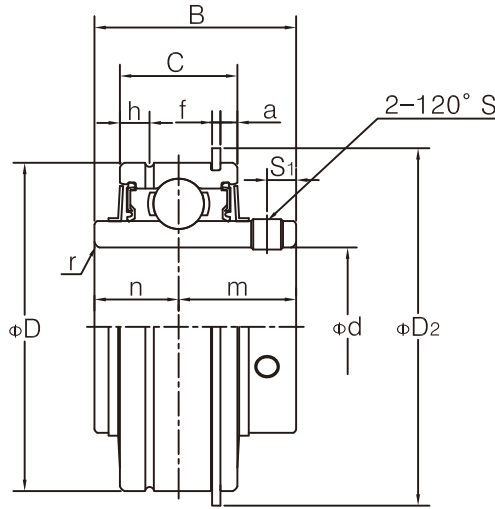


Unit No.	Shaft Dia.		Dimensions (in./mm)								Basic dynamic load rating (kgf)	Basic static load rating (kgf)	Weight (kgf)
	d		D	B	C	r	n	m	S ₁	S			
	(in.)	(mm)											
SB 201		12											0.10
CSB 201-8	1/2												0.10
202		15	1.5748	0.8858	0.5118	0.0397	0.2559	0.6299	0.1968	M5 x 0.8	960	480	0.10
202-10	5/8		40	22.5	13	1.0	6.5	16.0	5.0	No. 10-32UNF			0.10
203		17											0.10
203-11	11/16												0.10
SB 204-12	3/4		1.8504	1.0039	0.5906	0.0397	0.2953	0.7087	0.1968	M5 x 0.8	1280	670	0.15
CSB 204		20	47	25.5	15	1.0	7.5	18.0	5.0	No. 10-32UNF			0.15
SB 205-13	13/16												0.18
CSB 205-14	7/8		2.0472	1.0630	0.5906	0.0397	0.2953	0.7677	0.2165	M5 x 0.8	1400	790	0.18
205-15	15/16		52	27	15	1.0	7.5	19.5	5.5	No. 10-32UNF			0.18
205		25											0.16
205-16	1												0.16
SB 206-17	11/16												0.28
CSB 206-18	11/8		2.4409	1.1811	0.7087	0.0397	0.3543	0.8268	0.2362	M6 x 0.75	1950	1130	0.28
206		30	62	30	18	1.0	9	21	6	1/4-28UNF			0.28
206-19	13/16												0.28
206-20	11/4												0.28
SB 207-20	11/4												0.42
CSB 207-21	11/16		2.8346	1.3780	0.7480	0.0787	0.3740	1.0039	0.2755	M6 x 0.75	2570	1540	0.42
207-22	13/8		72	35	19	2.0	9.5	25.5	7.0	1/4-28UNF			0.38
207		35											0.38
207-23	17/16												0.38
SB 208-24	11/2												0.60
CSB 208-25	15/16		3.1496	1.5748	0.7087	0.0787	0.4331	1.1417	0.3543	M8 x 1.0	2910	1790	0.60
208		40	80	40	22	2.0	11	29	9.0	5/16-24UNF			0.55
SB 209-26	15/8												0.58
CSB 209-27	111/16		3.3465	1.6220	0.8661	0.0787	0.4331	1.1890	0.3543	M8 x 1.0	3200	2040	0.58
209-28	13/4		85	41.2	22	2.0	11	30.2	9.0	5/16-24UNF			0.58
209		45											0.58
SB 210-29	113/16												0.72
CSB 210-30	17/8		3.5433	1.7165	0.8661	0.0787	0.4331	1.2835	0.3937	M8 x 1.0	3510	2320	0.72
210-31	115/16		90	43.6	22	2.0	11	32.6	10.0	5/16-24UNF			0.72
210		50											0.72
210-32	2												0.72
SB 211-31	115/16												0.99
CSA 211-32	2		3.9370	1.7874	0.9449	0.0984	0.4724	1.3150	0.3937	M8 x 1.0	4330	2940	0.99
211		55	100	45.4	24	2.5	12	33.4	10.0	5/16-24UNF			0.99
211-34	21/8												0.99
211-35	23/16												0.99
SB 212-36	21/4												1.26
CSB 212-37	25/16		4.3307	2.0945	1.0630	0.0984	0.5315	1.5630	0.4724	M10 x 1.25	5240	3610	1.26
212		60	110	53.2	27	2.5	13.5	39.7	12.0	3/8-24UNF			1.26
212-38	23/8												1.26
212-39	27/16												1.26

SET SCREW TYPE BEARINGS

SER2

(Cylindrical bore)

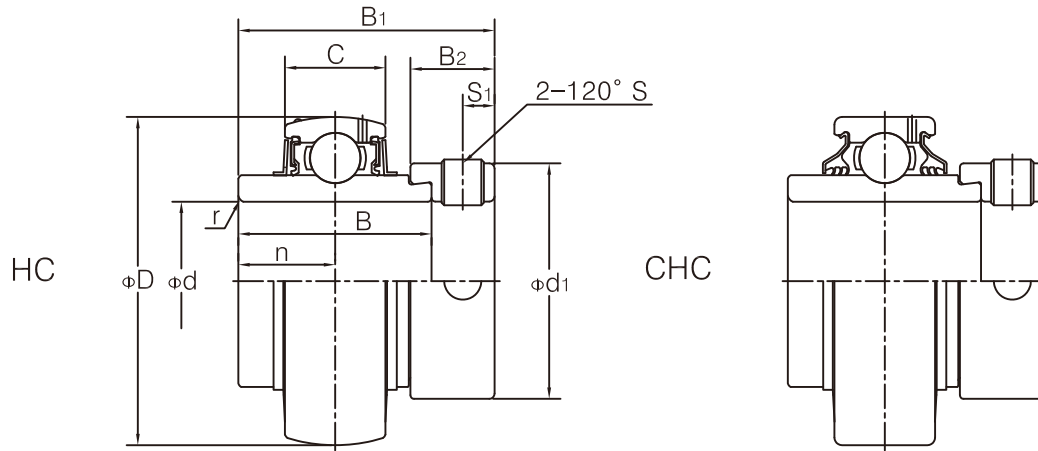


Unit No.	Shaft Dia.		Dimensions (in./mm)												Basic dynamic load rating (kgf)	Basic static load rating (kgf)	Weight (kgf)			
	d		D	D ₂	B	C	r	n	m	S ₁	h	f	a	S						
SER 201		12																0.27		
201-8	1/2																	0.27		
202		15																0.25		
202-10	5/8		1.8504	2.0669	1.2205	0.6220	0.0397	0.5	0.7204	0.1969	0.1378	0.0421	0.0937	M5 x 0.8	1280	670		0.25		
203		17	47	52.5	31.0	15.8	1.0	12.7	18.3	5.0	3.5	1.07	2.38	No.10-32UNF				0.24		
203-11	11/16																			0.24
SER 204-12	3/4																			0.22
204		20																0.22		
SER 205-13	13/16																	0.3		
205-14	7/8																	0.3		
205-15	15/16		2.0472	2.2637	1.3425	0.7500	0.0397	0.5629	0.7795	0.2165	0.1969	0.0421	0.0937	M5 x 0.8	1400	790		0.28		
205		25	52	57.5	34.1	19.05	1.0	14.3	19.8	5.5	5.0	1.07	2.38	No.10-32UNF				0.27		
205-16	1																			0.27
SER 206-17	1 1/16																			0.41
206-18	1 1/8																	0.41		
206		30	2.4409	2.6575	1.5000	0.8740	0.0591	0.6260	0.8740	0.2362	0.2165	0.0650	0.1252	M6 x 0.75	1950	1130		0.39		
206-19	1 3/16		62	67.5	38.1	22.2	1.5	15.9	22.2	6.0	5.5	1.65	3.18	1/4-28UNF				0.39		
206-20	1 1/4																			0.37
SER 207-20	1 1/4																			0.69
207-21	1 3/16																	0.66		
207-22	1 3/8		2.8346	3.0866	1.6890	0.9370	0.0591	0.6890	1.0000	0.2755	0.2165	0.0650	0.1252	M6 x 0.75	2570	1540		0.64		
207		35	72	78.4	42.9	23.8	1.5	17.5	25.4	7.0	5.5	1.65	3.18	1/4-28UNF				0.63		
207-23	1 7/16																			0.61
SER 208-24	1 1/2																			0.85
208-25	1 9/16																	0.82		
208		40	3.1496	3.4016	1.9370	1.0945	0.0787	0.7480	1.1890	0.3543	0.2362	0.0650	0.1252	M8 x 1.0	2910	1790		0.81		
SER 209-26	1 5/8																			1.0
209-27	1 11/16																			0.96
209-28	1 3/4		3.3465	3.5984	1.9370	1.0945	0.0787	0.7480	1.1890	0.3543	0.2362	0.0650	0.1252	M8 x 1.0			3200	2040		0.92
209		45	85	91.4	49.2	27.8	2.0	19.0	30.2	9.0	6.0	1.65	3.18	5/16-24UNF		0.90				
SER 210-29	1 13/16																			1.05
210-30	1 7/8																			1.05
210-31	1 15/16																	1.0		
210		50	3.5433	3.7913	2.0315	1.1220	0.0787	0.7480	1.2835	0.3937	0.2953	0.0949	0.1252	M8 x 1.0	3510	2320		0.98		
210-32	2		90	96.3	51.6	28.5	2.0	19.0	32.6	10.0	7.5	2.41	3.18	5/16-24UNF				0.96		
SER 211-31	1 15/16																			1.56
211-32	2																			1.56
211-34	2 1/8																	1.45		
211		55	3.9370	4.1850	2.1890	1.1850	0.0787	0.8740	1.3150	0.3937	0.2953	0.0949	0.1252	M8 x 1.0	4330	2940		1.41		
211-35	2 3/16		100	106.3	55.6	30.1	2.0	22.2	33.4	10.0	7.5	2.41	3.18	5/16-24UNF				1.39		
SER 212-36	2 1/4																			2.02
212-37	2 5/16																			2.02
212		60	4.3307	4.5827	2.5630	1.2480	0.0984	1.0000	1.5630	0.4724	0.2953	0.0949	0.1251	M10 x 1.25	5240	3610		1.89		
212-38	2 3/8		110	116.4	65.1	31.7	2.5	25.4	39.7	12.0	7.5	2.41	3.18	3/8-24UNF				1.87		
212-39	2 7/16																			1.8

ECCENTRIC LOCKING COLLAR TYPE BEARINGS

HC2 CHC2

(Cylindrical bore / Cylindrical outside diameter)

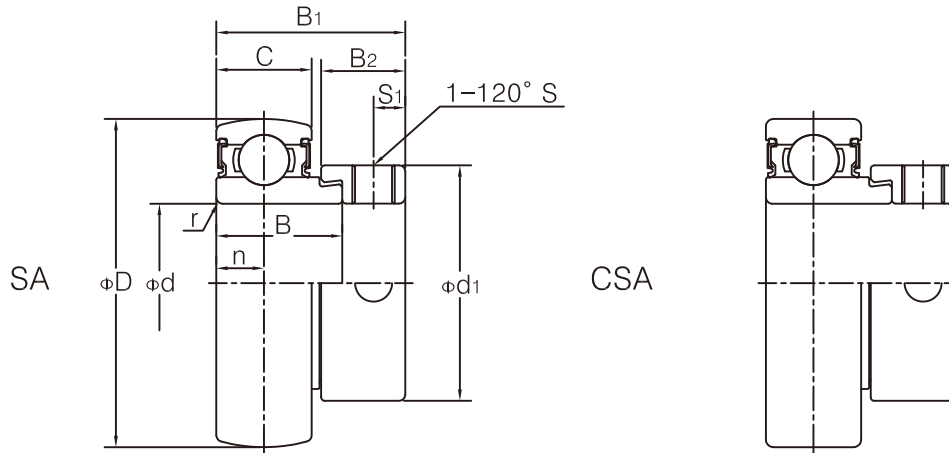


Unit No.	Shaft Dia.		Dimensions (in./mm)										Basic dynamic load rating (kgf)	Basic static load rating (kgf)	Weight (kgf)	
	d		D	d ₁	B ₁	C	r	B	n	B ₂	S ₁	S				
	(in.)	(mm)														
HC 201	1/2	12														0.29
CHC 201-8	9/16															0.29
202-9			1.8504	1.1260	1.7204	0.6299	0.0397	1.3465	0.6732	0.5315	0.1890	M6 x 0.75	1280	670	0.27	
202	5/8	15	47	28.6	43.7	16	1.0	34.2	17.1	13.5	4.8	1/4-28UNF			0.27	
202-10																0.26
203		17														0.25
203-11	11/16															0.23
HC 204-12	3/4	20	1.8504	1.3110	1.7204	0.6299	0.0397	1.3465	0.6732	0.5315	0.1890	M6 x 0.75	1280	670	0.23	
CHC 204			47	33.3	43.7	16	1.0	34.2	17.1	13.5	4.8	1/4-28UNF			0.22	
HC 205-13	13/16															0.29
CHC 205-14	7/8															0.29
205-15	15/16	25	2.0472	1.5000	1.7480	0.6693	0.0397	1.3741	0.6870	0.5315	0.1890	M6 x 0.75	1400	790	0.27	
205			52	38.1	44.4	17	1.0	34.9	17.45	13.5	4.8	1/4-28UNF			0.25	
205-16	1															0.25
HC 206-17	1 1/16															0.43
CHC 206-18	1 1/8															0.43
206		30	2.4409	1.7520	1.9055	0.7480	0.0397	1.4370	0.7185	0.6260	0.2362	M8 x 1	1950	1130	0.41	
206-19	13/16		62	44.5	48.4	19	1.0	36.5	18.25	15.9	6.0	5/16-24UNF			0.41	
206-20	1 1/4															0.38
HC 207-20	1 1/4															0.68
CHC 207-21	1 5/16															0.68
207-22	1 3/8	35	2.8346	2.1890	2.0157	0.7874	0.0787	1.4804	0.7402	0.6890	0.2677	M8 x 1	2570	1540	0.61	
207			72	55.6	51.1	20	2.0	37.6	18.8	17.5	6.8	5/16-24UNF			0.61	
207-23	1 7/16															0.58
HC 208-24	1 1/2															0.83
CHC 208-25	1 9/16															0.79
208		40	3.1496	2.3740	2.2205	0.8268	0.0787	1.6851	0.8425	0.7205	0.2677	M8 x 1	2910	1790	0.78	
			80	60.3	56.3	21	2.0	42.8	21.4	18.3	6.8	5/16-24UNF			0.78	
HC 209-26	1 5/8															0.96
CHC 209-27	1 11/16															0.91
209-28	1 3/4	45	3.3465	2.5000	2.2205	0.8661	0.0787	1.6851	0.8425	0.7205	0.2677	M8 x 1	3200	2040	0.87	
209			85	63.5	56.3	22	2.0	42.8	21.4	18.3	6.8	5/16-24UNF			0.85	
HC 210-29	1 13/16															1.09
CHC 210-30	1 7/8															1.04
210-31	1 15/16	50	3.5433	2.7520	2.4685	0.9055	0.0787	1.9370	0.9685	0.7205	0.2677	M8 x 1	3510	2320	1.04	
210			90	69.9	62.7	23	2.0	49.2	24.6	18.3	6.8	5/16-24UNF			1.01	
210-32	2															1.01
HC 211-31	1 15/16															1.58
CHC 211-32	2															1.58
211-34	1 1/8	55	3.9370	3.0000	2.8110	0.9843	0.0984	2.1851	1.0925	0.8189	0.3150	M12 x 1.5	4330	2940	1.39	
211			100	76.2	71.4	25	2.5	55.5	27.75	20.7	8.0	7/16-20UNF			1.36	
211-35	2 3/16															1.36
HC 212-36	2 1/4															2.03
CHC 212-37	1 5/16															2.03
212		60	4.3307	3.3150	3.0630	1.0630	0.0984	2.4370	1.2185	0.8740	0.3150	M12 x 1.5	5240	3610	1.87	
212-38	2 3/8		110	84.2	77.8	27	2.5	61.9	30.95	22.3	8.0	7/16-20UNF			1.87	
212-39	2 7/16															1.76

ECCENTRIC LOCKING TYPE BEARINGS

SA2 CSA2

(Cylindrical bore / Cylindrical outside diameter)

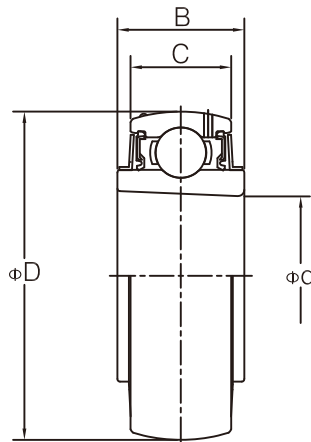


Unit No.	Shaft Dia.		Dimensions (in.) (mm)										Basic dynamic load rating (kgf)	Basic static load rating (kgf)	Weight (kgf)
	d		D	d ₁	B ₁	C	r	B	n	B ₂	S ₁	S			
	(in.)	(mm)													
SA 201		12													0.13
CSA 201-8	1/2														0.13
202		15	1.5748	1.1260	1.1260	0.5119	0.0397	0.7520	0.2559	0.5315	0.1890	M6 x 0.75	960	480	0.13
202-10	5/8		40	28.6	28.6	13	1.0	19.1	6.5	13.5	4.8	1/4-28UNF			0.13
203		17													0.13
203-11	11/16													0.13	
SA 204-12	3/4		1.8504	1.2598	1.2205	0.5906	0.0397	0.8425	0.2756	0.5315	0.1890	M6 x 0.75	1280	670	0.15
CSA 204		20	47	33.3	31	15	1.0	21.5	7.5	13.5	4.8	1/4-28UNF			0.15
SA 205-13	13/16												1400	790	0.22
CSA 205-14	7/8														0.22
205-15	15/16		2.0472	1.5000	1.2205	0.5906	0.0397	0.8465	0.2953	0.5315	0.1890	M6 x 0.75			0.22
205		25	52	38.1	31	15	1.0	21.5	7.5	13.5	4.8	1/4-28UNF			0.22
205-16	1														0.22
SA 206-17	1 1/16												1950	1130	0.31
CSA 206-18	1 1/8														0.31
206		30	2.4409	1.7480	1.4055	0.7087	0.0397	0.9370	0.3150	0.6890	0.2362	M8 x 1			0.31
206-19	1 3/16		62	44.5	35.7	18	1.0	23.8	9	15.9	6.0	5/16-24UNF			0.31
206-20	1 1/4														0.31
SA 207-20	1 1/4												2570	1540	0.51
CSA 207-21	1 5/16														0.51
207-22	1 3/8		2.8346	2.1890	1.5314	0.7481	0.0787	1.0000	0.3346	0.6890	0.2677	M8 x 1			0.51
207		35	72	55.6	38.9	19	2.0	25.4	9.5	17.5	6.8	5/16-24UNF			0.51
207-23	1 7/16														0.51
SA 208-24	1 1/2												2910	1790	0.66
CSA 208-25	1 9/16														0.66
208		40	3.1496	2.3740	1.7205	0.8662	0.0787	1.1890	0.3543	0.7205	0.2677	M8 x 1			0.66
			80	60.3	43.7	22	2.0	30.2	11	18.3	6.8	5/16-24UNF			
SA 209-26	1 5/8												3200	2040	0.67
CSA 209-27	1 11/16														0.67
209-28	1 3/4		3.3465	2.5000	1.7205	0.8662	0.0787	1.1890	0.3740	0.7205	0.2677	M8 x 1			0.67
209		45	85	63.5	43.7	22	2.0	30.2	11	18.3	6.8	5/16-24UNF			0.67
															0.67
SA 210-29	1 13/16												3510	2320	0.77
CSA 210-30	1 1/8														0.77
210-31	1 15/16		3.5433	2.7480	1.7205	0.8662	0.0787	1.1890	0.3937	0.7205	0.2677	M8 x 1			0.77
210		50	90	69.9	43.7	22	2.0	30.2	11	18.3	6.8	5/16-24UNF			0.77
210-32	2														0.77
SA 211-31	1 15/16												4330	2940	1.04
CSA 211-32	2														1.04
211-34	2 1/8		3.9370	3.0000	1.9055	0.9449	0.0984	1.2795	0.4134	0.8189	0.3150	M12 x 1.5			1.04
211		55	100	76.2	48.4	24	2.5	32.5	12	20.7	8.0	7/16-20UNF			1.04
211-35	2 3/16														1.04
SA 212-36	2 1/4												5240	3610	1.41
CSA 212-37	2 5/16														1.41
212		60	4.3307	3.3110	2.0906	1.0630	0.0984	1.4646	0.4331	0.8740	0.3150	M12 x 1.5			1.41
212-38	2 3/8		110	84.2	53.1	27	2.5	37.2	13.5	22.3	8.0	7/16-20UNF			1.41
212-39	2 7/16														1.41

ADAPTER TYPE BEARINGS

UK2

(Tapered bore)

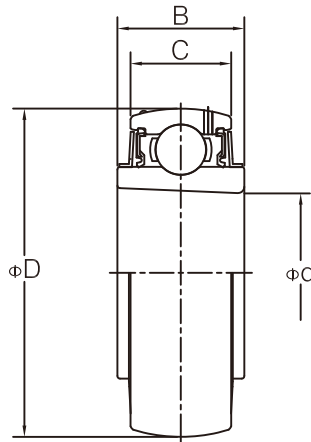


Unit No.	Shaft Dia.	Dimensions (in./mm)			Basic dynamic load rating (kgf)	Basic static load rating (kgf)	Weight (kgf)
	d(in./mm)	D	B	C			
UK 205	0.9843 25	2.0472 52	0.9055 23	0.6693 17	1400	790	0.16
UK 206	1.1811 30	2.4409 62	1.0236 26	0.7480 19	1950	1130	0.25
UK 207	1.3780 35	2.8346 72	1.0630 27	0.7874 20	2570	1540	0.37
UK 208	1.5748 40	3.1496 80	1.1417 29	0.8268 21	2910	1790	0.47
UK 209	1.7717 45	3.3465 85	1.1811 30	0.8661 22	3200	2040	0.52
UK 210	1.9685 50	3.5433 90	1.2205 31	0.9055 23	3510	2320	0.59
UK 211	2.1654 55	3.9370 100	1.2992 33	0.9843 25	4330	2940	0.80
UK 212	2.3622 60	4.3307 110	1.4173 36	1.0630 27	5240	3610	1.02
UK 213	2.5591 65	4.7244 120	1.4961 38	1.1417 29	5720	4000	1.34
UK 215	2.9528 75	5.1181 130	1.6142 41	1.1811 30	6740	4820	1.50
UK 216	3.1496 80	5.5118 140	1.7323 44	1.2598 32	7260	5300	1.96
UK 217	3.3465 85	5.9055 150	1.8110 46	1.3386 34	8390	6180	2.42
UK 218	3.5433 90	6.2992 160	1.9291 49	1.4173 36	9600	7140	2.90

ADAPTER TYPE BEARINGS

UKX

(Tapered bore)

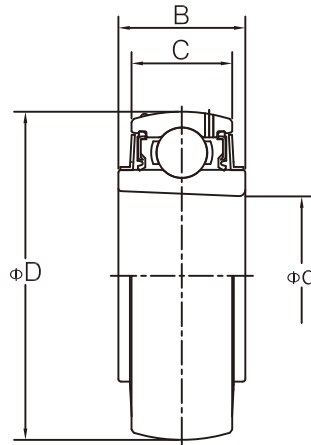


Unit No.	Shaft Dia.	Dimensions (in./mm)			Basic dynamic load rating (kgf)	Basic static load rating (kgf)	Weight (kgf)
	d(in.) (mm)	D	B	C			
UK X 05	0.9843 25	2.4409 62	1.0236 26	0.7480 19	1950	1130	0.27
UK X 06	1.1811 30	2.8346 72	1.0630 27	0.7824 20	2570	1540	0.43
UK X 07	1.3780 35	3.1496 80	1.1417 29	0.8268 21	2910	1790	0.53
UK X 08	1.5748 40	3.3465 85	1.1811 30	0.8661 22	3200	2040	0.58
UK X 09	1.7717 45	3.5433 90	1.2205 31	0.9055 23	3510	2320	0.67
UK X 10	1.9685 50	3.9370 100	1.2992 33	0.9843 25	4330	2940	0.89
UK X 11	2.1654 55	4.3307 110	1.4173 36	1.0630 27	5240	3610	1.15
UK X 12	2.3622 60	4.7244 120	1.4961 38	1.1417 29	5720	4000	1.45
UK X 13	2.5591 65	4.9213 125	1.5748 40	1.1417 29	6220	4400	1.62
UK X 15	2.9528 75	5.5118 140	1.7323 44	1.2598 32	7260	5300	2.10
UK X 16	3.1496 80	5.9055 150	1.8110 46	1.3386 34	8390	6180	2.64
UK X 17	3.3465 85	6.2992 160	1.9291 49	1.4173 36	9600	7140	3.25
UK X 18	3.5433 90	6.6929 170	1.9685 50	1.5748 40	10900	8170	3.80
UK X 20	3.9370 100	7.4803 190	2.1260 54	1.6929 43	13300	10500	5.36

ADAPTER TYPE BEARINGS

UK3

(Tapered bore)

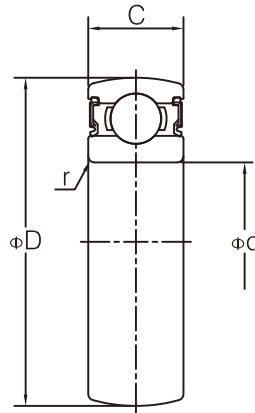


Unit No.	Shaft Dia.	Dimensions (in./mm)			Basic dynamic load rating (kgf)	Basic static load rating (kgf)	Weight (kgf)
	d(in./mm)	D	B	C			
UK 305	0.9843 25	2.4409 62	1.0630 27	0.8661 22	2100	1090	0.40
UK 306	1.1811 30	2.8346 72	1.1811 30	0.9449 24	2660	1500	0.47
UK 307	1.3780 35	3.1496 80	1.2992 33	1.0236 26	3330	1920	0.60
UK 308	1.5748 40	3.5433 90	1.3780 35	1.1024 28	4070	2390	0.80
UK 309	1.7717 45	3.9370 100	1.4961 38	1.1811 30	4890	2950	1.08
UK 310	1.9685 50	4.33070 110	1.5748 40	1.2598 32	6200	3820	1.38
UK 311	2.1654 55	4.7244 120	1.6929 43	1.3386 34	7160	4480	1.78
UK 312	2.3622 60	5.1181 130	1.8110 46	1.4173 36	8180	5200	2.06
UK 313	2.5591 65	5.5118 140	1.8898 48	1.4961 38	9270	5980	2.71
UK 315	2.9528 75	6.2992 160	2.1260 54	1.6535 42	11300	7690	3.80
UK 316	3.1496 80	6.6929 170	2.2441 57	1.7323 44	12300	8640	4.39
UK 317	3.3465 85	7.0866 180	2.3622 60	1.8110 46	13300	9650	5.30
UK 318	3.5433 90	7.4803 190	2.4803 63	1.8898 48	14300	10700	6.20
UK 319	3.7402 95	7.8740 200	2.5984 66	1.9685 50	15300	11800	7.31
UK 320	3.9370 100	8.4646 215	2.7559 70	2.1260 54	17300	14100	8.70
UK 322	4.3307 110	9.4488 240	3.1496 80	2.3622 60	20500	17900	12.2
UK 324	4.7244 120	10.2362 260	3.3858 86	2.5197 64	20700	18500	16.1
UK 326	5.1181 130	11.0236 280	3.6220 92	2.6772 68	22900	21400	18.8
UK 328	5.5118 140	11.8110 300	3.8583 98	2.8346 72	25300	24600	23.9

TIGHT FIT TYPE BEARINGS

SC2

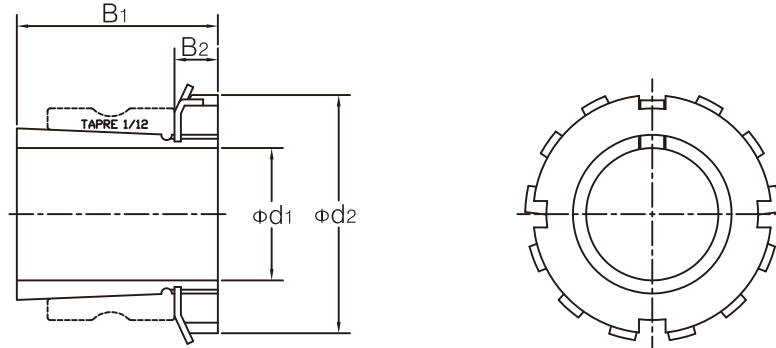
(Cylindrical bore)



Unit No.	Shaft Dia.	Dimensions (in./mm)			Basic dynamic load rating (kgf)	Basic static load rating (kgf)	Weight (kgf)
	d(in./mm)	D	C	r			
SC 201	0.4724 12	1.2598 32	0.3937 10	0.0397 1.0	690	300	0.035
SC 202	0.5906 15	1.3780 35	0.4331 11	0.0397 1.0	760	370	0.040
SC 203	0.6693 17	1.5748 40	0.4724 12	0.0397 1.0	960	480	0.074
SC 204	0.7874 20	1.8504 47	0.5512 14	0.0397 1.0	1280	670	0.116
SC 205	0.9843 25	2.0472 52	0.5906 15	0.0397 1.0	1400	790	0.180
SC 206	1.1811 30	2.4409 62	0.6299 16	0.0397 1.0	1950	1130	0.219
SC 207	1.3780 35	2.8346 72	0.6693 17	0.0787 2.0	2570	1540	0.327
SC 208	1.5748 40	3.1496 80	0.7087 18	0.0787 2.0	2910	1790	0.422
SC 209	1.7717 45	3.3465 85	0.7480 19	0.0787 2.0	3200	2040	0.468
SC 210	1.9685 50	3.5433 90	0.7874 20	0.0787 2.0	3510	2320	0.495
SC 211	2.1654 55	3.9370 100	0.8268 21	0.0984 2.5	4330	2940	0.678
SC 212	2.3622 60	4.3307 110	0.8661 22	0.0984 2.5	5240	3610	0.911

ADAPTERS

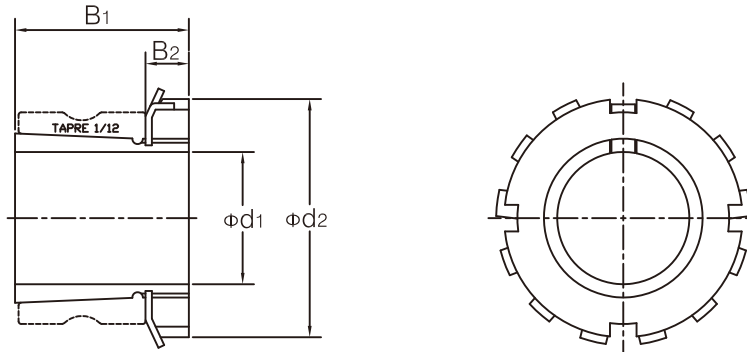
H2300, HS2300, HE2300



Adapter No.	Bore Dia. of sleeve		Dimensions (in./mm)			Sleeve No.	Locknut No.	Washer No.	Weight (kgf)
	d ₁ (in.)	(mm)	B ₁	B ₂	d ₂				
HE 2305X H 2305X	3/4	20	1 3/8 35	5/16 8	1 1/2 38	AE 2305X A 2305X	AN 05	AW 05X	0.085 0.095
H 2306X HE 2306X	1	25	1 1/2 38	5/16 8	1 3/4 45	A 2306X AE 2306X	AN 06	AW 06X	0.13 0.12
HS 2307X H 2307X	1 1/8	30	1 11/16 43	3/8 9	2 1/16 52	AS 2307X A 2307X	AN 07	AW 07X	0.19 0.17
HE 2308X HS 2308X H 2308X	1 1/4 1 3/8	35	1 13/16 46	13/32 10	2 9/32 58	AE 2308X AS 2308X A 2308X	AN 08	AW 08X	0.28 0.22 0.22
HE 2309X H 2309X HS 2309X	1 1/2 1 5/8	40	1 31/32 50	7/16 11	2 9/16 65	AE 2309X A 2309X AS 2309X	AN 09	AW 09X	0.32 0.28 0.25
HE 2310X H 2310X	1 3/4	45	2 5/32 55	15/32 12	2 3/4 70	AE 2310X A 2310X	AN 10	AW 10X	0.37 0.36
HE 2311X H 2311X HS 2311X	1 7/8 2	50	2 5/16 59	15/32 12	2 15/16 75	AS 2311X A 2311X AE 2311X	AN 11	AW 11X	0.50 0.42 0.40
HE 2312X H 2312X	2 1/8	55	2 7/16 62	1/2 13	3 5/32 80	AS 2312X A 2312X	AN 12	AW 12X	0.52 0.48
HE 2313X H 2313X HS 2313X	2 1/4 2 3/8	60	2 9/16 65	17/32 14	3 11/32 85	AE 2313X A 2313X AS 2313X	AN 13	AW 13X	0.69 0.56 0.55
HE 2315X H 2315X	2 1/2	65	2 7/8 73	9/16 15	3 27/32 98	AE 2315X A 2315X	AN 15	AW 15X	1.15 1.05
HE 2316X H 2316X	2 3/4	70	3 1/16 78	21/32 17	4 1/8 105	AE 2316X A 2316X	AN 16	AW 16X	1.3 1.3
H 2317X HE 2317X	3	75	3 7/32 82	11/16 18	4 11/32 110	A 2317X AE 2317X	AN 17	AW 17X	1.45 1.35
H 2318X		80	3 3/8 86	11/16 18	4 23/32 120	A 2318X	AN 18	AW 18X	1.7
HE 2319X H 2319X	3 1/4	85	3 17/32 90	3/4 19	4 29/32 125	AE 2319X A 2319X	AN 19	AW 19X	2.15 1.95
HE 2320X H 2320X	3 1/2	90	3 13/16 97	25/32 20	5 1/8 130	AE 2320X A 2320X	AN 20	AW 20X	2.3 2.2
H 2322X HE 2322X	4	100	4 1/8 105	13/16 21	5 23/32 145	A 2322X AE 2322X	AN 22	AW 22X	2.75 2.55
H 2324X		110	4 13/32 112	7/8 22	6 3/32 155	A 2324X	AN 24	AW 24X	3.2
HE 2326X H 2326X	4 1/2	115	4 3/4 121	29/32 23	6 1/2 165	AE 2326X A 2326X	AN 26	AW 26X	4.7 4.6
H 2328X		125	5 5/32 131	15/16 24	7 3/32 180	A 2328X	AN 28	AW 28X	5.5

ADAPTERS

H300, HS300, HE300



Adapter No.	Bore Dia. of sleeve		Dimensions (in./mm)			Sleeve No.	Locknut No.	Washer No.	Weight (kgf)
	d ₁		B ₁	B ₂	d ₂				
	(in.)	(mm)							
HE 305X H 305X	3/4	20	1 ⁵ / ₃₂ 29	5/16 8	1 ¹ / ₂ 38	AE 305X A 305X	AN 05	AW 05X	0.08 0.075
H 306X HE 306X	1	25	1 ⁷ / ₃₂ 31	5/16 8	1 ³ / ₄ 45	A 306X AE 306X	AN 06	AW 06X	0.11 0.105
HS 307X H 307X	1 ¹ / ₈	30	1 ³ / ₈ 35	3/8 9	2 ¹ / ₁₆ 52	AS 307X A 307X	AN 07	AW 07X	0.15 0.14
HE 308X HS 308X H 308X	1 ¹ / ₄ 1 ³ / ₈	35	1 ¹³ / ₃₂ 36	13/32 10	2 ⁹ / ₃₂ 58	AE 308X AS 308X A 308X	AN 08	AW 08X	0.23 0.19 0.19
HE 309X H 309X HS 309X	1 ¹ / ₂ 1 ⁵ / ₈	40	1 ¹⁷ / ₃₂ 39	7/16 11	2 ⁹ / ₁₆ 65	AE 309X A 309X AS 309X	AN 09	AW 09X	0.28 0.25 0.23
HE 310X H 310X	1 ³ / ₄	45	1 ²¹ / ₃₂ 42	15/32 12	2 ³ / ₄ 70	AE 310X A 310X	AN 10	AW 10X	0.31 0.30
HE 311X H 311X HS 311X	1 ⁷ / ₈ 2	50	1 ²⁵ / ₃₂ 45	15/32 12	2 ¹⁵ / ₁₆ 75	AS 311X A 311X AE 311X	AN 11	AW 11X	0.41 0.35 0.33
HE 312X H 312X	2 ¹ / ₈	55	1 ²⁷ / ₃₂ 47	1/2 13	3 ⁵ / ₃₂ 80	AS 312X A 312X	AN 12	AW 12X	0.40 0.43
HE 313X H 313X HS 313X	2 ¹ / ₄ 2 ³ / ₈	60	1 ³¹ / ₃₂ 50	17/32 14	3 ¹¹ / ₃₂ 85	AE 313X A 313X AS 313X	AN 13	AW 13X	0.56 0.46 0.45
HE 315X H 315X	2 ¹ / ₂	65	2 ⁵ / ₃₂ 55	9/16 15	3 ²⁷ / ₃₂ 98	AE 315X A 315X	AN 15	AW 15X	0.89 0.83
HE 316X H 316X	2 ³ / ₄	70	2 ⁵ / ₁₆ 59	21/32 17	4 ¹ / ₈ 105	AE 316X A 316X	AN 16	AW 16X	1.05 1.05
H 317X HE 317X	3	75	2 ¹⁵ / ₃₂ 63	11/16 18	4 ¹¹ / ₃₂ 110	A 317X AE 317X	AN 17	AW 17X	1.2 1.1
H 318X		80	2 ⁹ / ₁₆ 65	11/16 18	4 ²³ / ₃₂ 120	A 318X	AN 18	AW 18X	1.4