

HCB[®]

BEARING HOUSINGS



GENERAL
CATALOGUE



V.01 / 2014

COPYRIGHT HCB 2014

The contents of this catalogue may not be reproduced without permission even extracts. The accuracy of the informations in this catalogue has been ensured. No liability can be accepted for any errors and omissions. We reserve the right to make changes in technical progress.

PRINTED IN TURKIYE

FOREWORD

HCB is a family owned company, manufactures only bearing housings since 1969 in Konya / TURKEY

Having said that, we have been manufacturing almost all type of housings in any quantity with incredible delivery time which contributes us being a domestic market leader because we have no connection with any other company or country.

All manufacturing process done at HCB facilities such as casting, machining, painting untill final despatchment directly to you ISO 9001:2008 certified HCB bearing housings are manufactured of EN-GJL-200 grey cast iron in accordance with DIN736/737 and ISO/R 113 norms.

Cast steel and spheroidal cast iron supplied upon request.

This catalogue provides a general view to HCB range for standart housings allows you to make an easy selection of appropriate housing according to your needs.

For special purpose housings not listed in this catalogue, HCB will be happy to supply any housing should application be made.



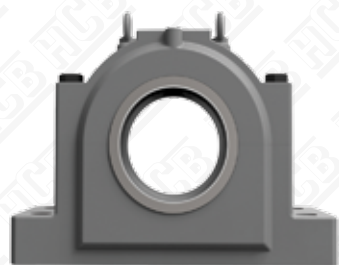
S30K **22**



SD
500-600 **26**



SD
3100 TS-GTS **32**



SNH
3000 TS-GTS **38**



SNH
3100 TS-GTS **44**



SONH
200-500 **50**



HBD
SERIES **56**



HPA
SERIES **76**



SNH
200-300 **82**



SNH
500-600 **94**



FSNH
200-300 **106**



FSNH
500-600 **114**



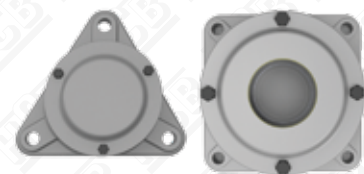
SN
200-300-600 **122**



SN
500 **138**



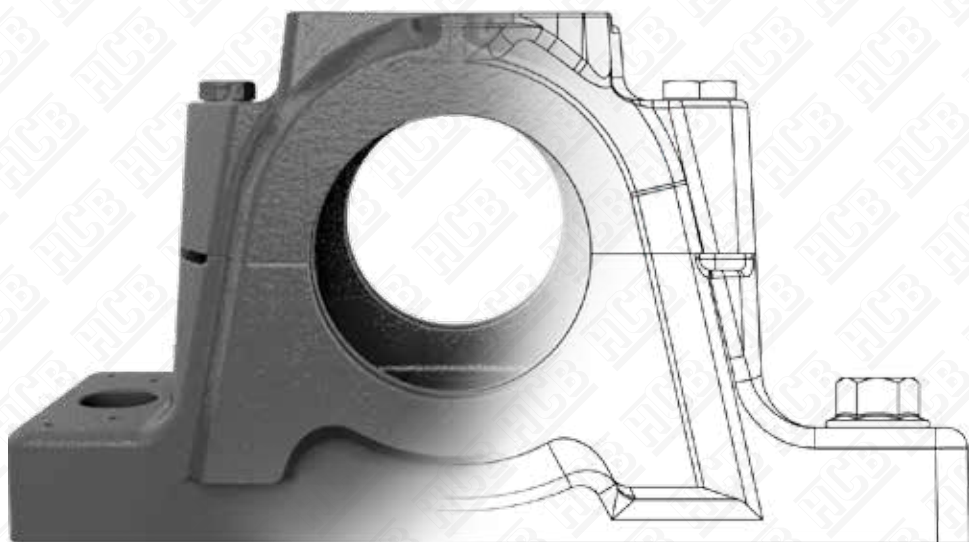
TVN
200-300 **144**



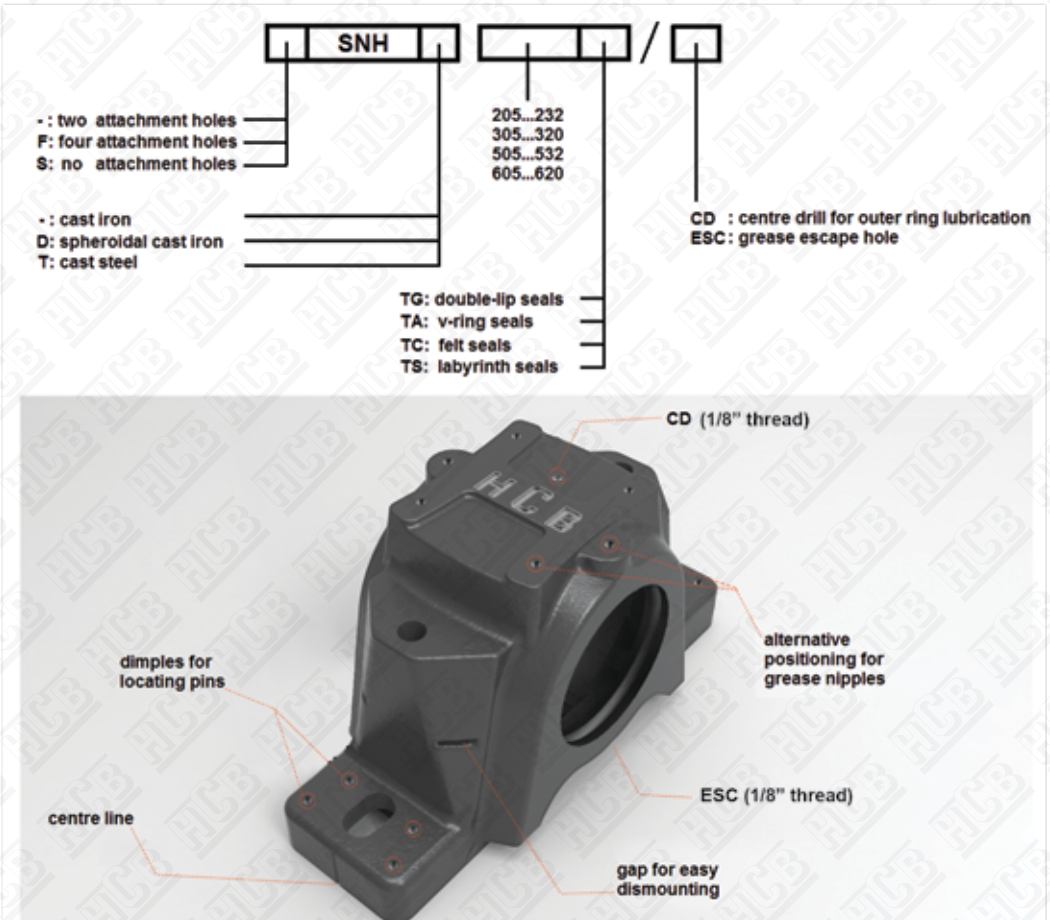
722500
FNH500 **150**



COUPLINGS **160**

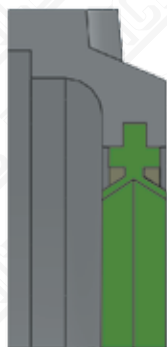


REINFORCED BASE

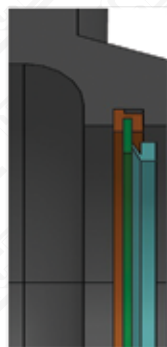




SEAL TYPES



TSN-G



TSN-A



TSN-C



TSN-S

	TSN-G	TSN-A	TSN-C	TSN-S
Temperature °C	-40 +100	-40 +100	-40 +100	-40 +200
Grease lubrication	● ● ●	● ● ●	●	● ●
Oil lubrication	●	●	—	●
Replacement	● ● ●	●	● ●	●
Dust	● ● ●	● ●	● ●	● ●
Sand	● ● ●	● ●	●	● ●
Grit	● ●	●	●	● ●
Cold water	● ● ●	● ● ●	●	—
Hot water	● ●	● ● ●	●	—
Direct Sunshine	—	● ●	● ●	● ● ●

- ● ● very suitable
- ● suitable
- normal
- not suitable



MOUNTING INSTRUCTIONS

TSN-S Labyrinths



01

put the housing base
on support surface.
position the bolts
into the attachment holes



02

mount the bearing on shaft
(adapter sleeves if required)
mount labyrinths by sliding on shaft



03

place the shaft gently into
bearing seat and seal grooves
together with all accessories on.
do not forget to grease bearing and
labyrinths

place the cap on to the base
tighten cap bolts and attachment bolts



04



01

put the housing base
on support surface.
position the bolts
into the attachment holes

mount the bearing on shaft
(adapter sleeves if required)
mount washer and V-ring
by sliding on shaft



02



03

place the shaft gently into
bearing seat and seal grooves
together with all accessories on.

TSN-A

V-Ring Seals

05



04



place the cap on to the base
tighten cap bolts and attachment bolts
do not forget to grease
washer's contact surface
for the V-ring

06





put the housing base
on support surface.
position the bolts
into the attachment holes

01

put the half of seals
into the seal groove
of housing base and
grease them



02



place into housing base
the complete shaft with bearing
(adapter sleeves if required)
lightly tighten the attachment bolts

03

TSN-C

Felt Strips In Light Alloy Rings

put the other half of seals
into the seal groove
of housing cap and grease them
(same as fig.02)



place the cap on the base
tighten cap bolts and
attachment bolts





01

put the housing base
on support surface.
position the bolts
into the attachment holes

put the half of seals
into the seal groove
of housing base and
grease them



02



03

place into housing base
the complete shaft with bearing
(adapter sleeves if required)
lightly tighten the attachment bolts

TSN-GL

Four-lip Seals

put the other half of seals
into the seal groove
of housing cap and grease them
(same as fig.02)

05



place the cap on the base
tighten cap bolts and
attachment bolts

04



06





slide the outer ring on the shaft
and place the seal ring into outer ring.

mount the bearing on shaft.
could be directly on a stepped shaft or
with an adapter sleeves



02



place the shaft gently into
bearing seat and seal grooves
together with all accessories on.

03

SONH

make sure oil pick up ring is located
at wider side of bearing seat where
there is also a set for the ring
for a better circulation

05



do not forget to fill in housing bath
before closing the cap and tightening bolts.

04



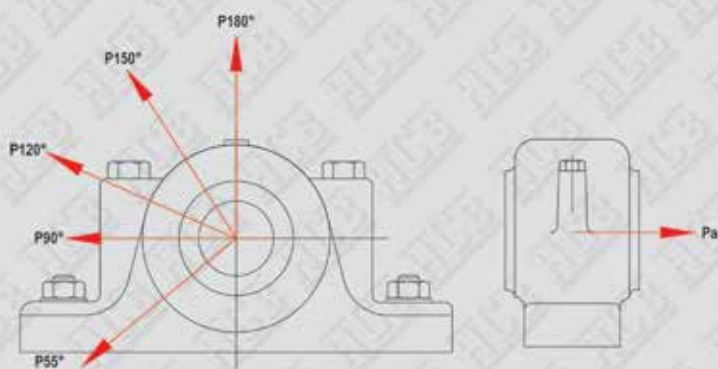
06



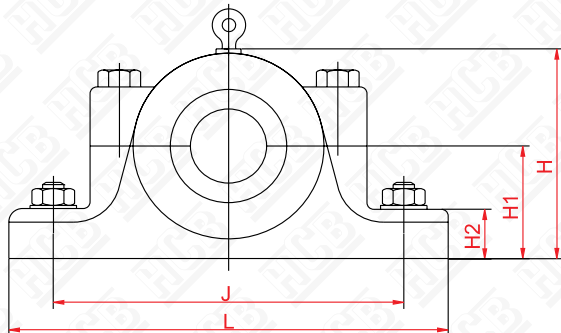


S 3000 K

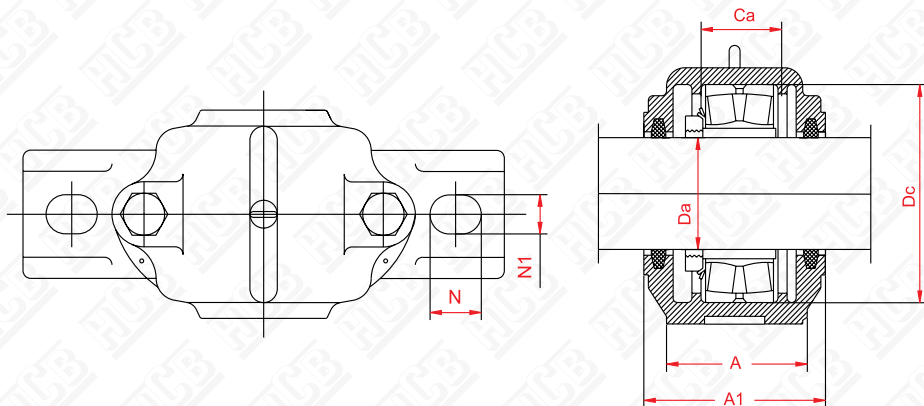




Housing Size	Breaking loads					
	P55°	P90°	P120°	P150°	P180°	Pa
	<i>kN</i>	<i>kN</i>	<i>kN</i>	<i>kN</i>	<i>kN</i>	<i>kN</i>
S 3024 K	700	420	310	280	350	220
S 3026 K	750	450	340	300	370	240
S 3028 K	900	540	400	370	460	300
S 3030 K	1050	630	470	430	530	345
S 3032 K	1050	630	470	430	530	345
S 3034 K	1630	950	720	640	800	520
S 3036 K	2100	1000	760	680	850	550
S 3038 K	2400	1150	850	760	950	620
S 3040 K	2700	1300	1000	880	1100	710
S 3044 K	3200	1600	1100	1000	1300	840
S 3048 K	4000	1900	1400	1300	1600	1000
S 3052 K	4200	2000	1500	1400	1700	1100
S 3056 K	4700	2300	1700	1500	1900	1200



SHAFT	HOUSING	BEARING	LOCATING RING	FELT STRIP
Da				
110	S 3024 K	23024 K	1 FRB 10/180	FS460
115	S 3026 K	23026 K	1 FRB 10/200	FS460
125	S 3028 K	23028 K	1 FRB 10/210	FS510
135	S 3030 K	23030 K	1 FRB 10/225	FS510
140	S 3032 K	23032 K	1 FRB 10/240	FS680
150	S 3034 K	23034 K	1 FRB 10/260	FS680
160	S 3036 K	23036 K	1 FRB 10/280	FS680
170	S 3038 K	23038 K	1 FRB 10/290	FS680
180	S 3040 K	23040 K	1 FRB 10/310	FS680
200	S 3044 K	23044 K	1 FRB 10/340	FS950
220	S 3048 K	23048 K	1 FRB 10/360	FS950
240	S 3052 K	23052 K	1 FRB 10/400	FS1120
260	S 3056 K	23056 K	1 FRB 10/420	FS1120

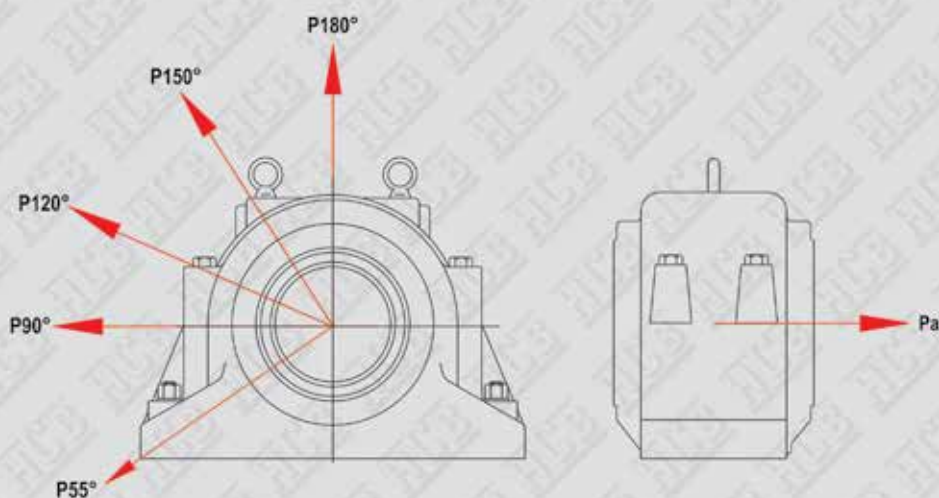


HOUSING	DIMENSIONS											
	Dc	Ca	L	J	H	H ₁	H ₂	A	A ₁	N	N ₁	Kg
S 3024 K	180	56	320	320	215	112	40	110	150	36	28	20
S 3026 K	200	62	350	340	239	125	45	120	160	36	28	25
S 3028 K	210	63	350	360	260	140	45	120	170	36	28	30
S 3030 K	225	66	380	380	286	150	50	130	180	36	28	35
S 3032 K	240	70	460	390	297	150	50	130	190	36	28	40
S 3034 K	260	77	530	450	318	160	60	160	205	48	35	55
S 3036 K	280	84	550	470	338	170	60	160	210	48	35	60
S 3038 K	290	85	550	470	346	170	60	160	220	48	35	65
S 3040 K	310	92	610	515	366	180	60	170	235	48	35	75
S 3044 K	340	100	690	580	401	200	70	190	255	50	42	100
S 3048 K	360	102	720	610	422	210	75	200	265	50	42	120
S 3052 K	400	114	820	680	472	240	80	220	285	70	48	155
S 3056 K	420	116	860	720	495	250	80	230	295	70	48	175

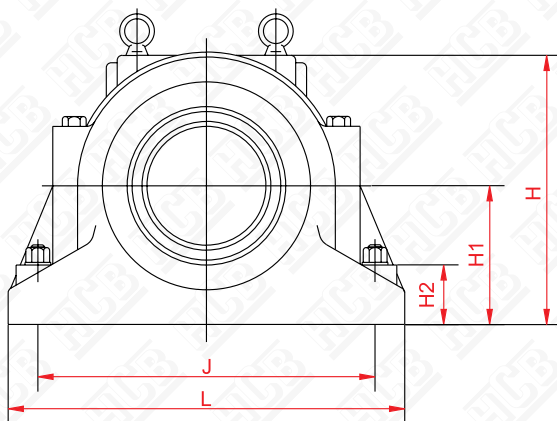


SD 500-600

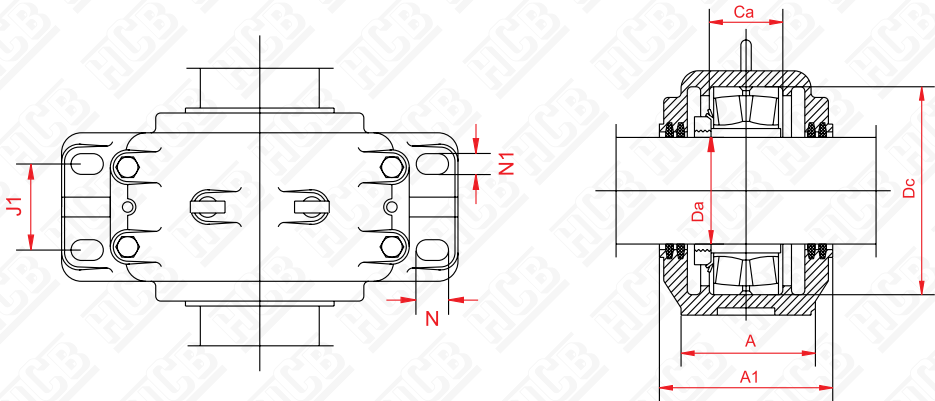




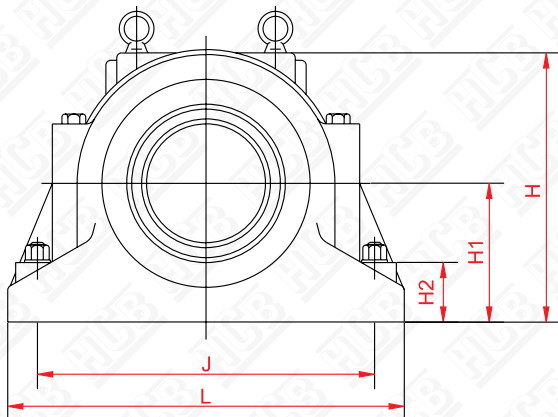
Housing	Breaking loads					
Size	P55°	P90°	P120°	P150°	P180°	Pa
	<i>kN</i>	<i>kN</i>	<i>kN</i>	<i>kN</i>	<i>kN</i>	<i>kN</i>
SD 530	2250	1100	830	740	920	600
SD 532	2600	1250	920	830	1030	670
SD 534	2850	1400	1070	940	1150	750
SD 536	3000	1530	1150	960	1250	900
SD 538	3700	1900	1400	1300	1600	1000
SD 540	4200	2000	1500	1400	1700	1050
SD 544	4900	2300	1700	1500	1900	1200
SD 548	6400	2350	1750	1550	1950	1270
SD 552	8000	3100	2350	2000	2500	1450
SD 556	8400	4000	2950	2400	2550	1700
SD 560	8700	4600	3300	2650	2900	1920
SD 564	9600	5000	3750	3300	3100	2100
SD 630	3000	1530	1150	960	1250	900
SD 632	3700	1900	1400	1300	1600	1000
SD 634	4200	2000	1500	1400	1700	1050
SD 636	4000	2150	1600	1450	1800	1120
SD 638	4900	2300	1700	1500	1900	1200
SD 640	8000	3100	2350	2000	2500	1450
SD 644	8400	4000	2950	2400	2550	1700
SD 648	8700	4600	3300	2650	2900	1920
SD 652	9600	5000	3750	3300	3100	2100



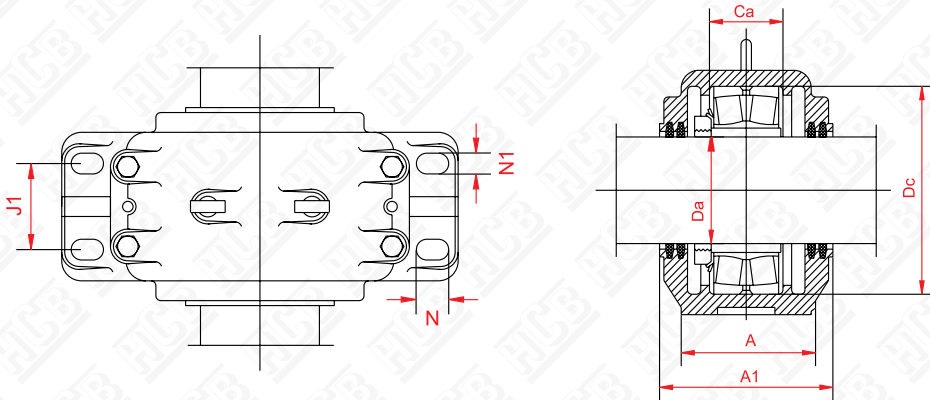
SHAFT	HOUSING	BEARING	LOCATING RING	FELT STRIP
Da				
135	SD 530	22230 K	frb 10/270	4 FS510
140	SD 532	22232 K	frb 10/290	4 FS680
150	SD 534	22234 K	frb 10/310	4 FS680
160	SD 536	22236 K	frb 10/320	4 FS680
170	SD 538	22238 K	frb 10/340	4 FS680
180	SD 540	22240 K	frb 10/360	4 FS680
200	SD 544	22244 K	frb 10/400	4 FS950
220	SD 548	22248 K	frb 10/440	4 FS950
240	SD 552	22252 K	frb 10/480	4 FS1120
260	SD 556	22256 K	frb 10/500	4 FS1120
280	SD 560	22260 K	frb 10/540	4 FS1220
300	SD 564	22264 K	frb 10/580	4 FS1220



HOUSING	DIMENSIONS											
	Dc	Ca	L	J	H	H ₁	H ₂	A	A ₁	N	N ₁	Kg
SD 530	270	83	550	450	320	160	55	220	240	45	33	77
SD 532	290	90	580	480	340	170	55	230	250	45	33	90
SD 534	310	96	620	510	360	180	60	250	270	50	36	110
SD 536	320	96	650	540	380	190	60	260	280	50	36	125
SD 538	340	102	700	570	400	200	65	280	290	55	40	140
SD 540	360	108	740	610	420	210	65	290	300	55	40	170
SD 544	400	118	820	680	475	240	70	320	330	62	42	220
SD 548	440	130	880	740	515	260	85	330	340	65	45	285
SD 552	480	140	940	790	555	280	85	360	370	65	45	370
SD 556	500	140	990	830	590	300	100	380	390	77	52	440
SD 560	540	150	1060	890	640	325	100	400	410	77	52	525
SD 564	580	160	1110	930	690	355	110	430	440	85	56	650



SHAFT	HOUSING	BEARING	LOCATING RING	FELT STRIP
Da				
135	SD 630	22330 K	frb 10/320	4 FS510
140	SD 632	22332 K	frb 10/340	4 FS680
150	SD 634	22334 K	frb 10/360	4 FS680
160	SD 636	22336 K	frb 10/380	4 FS680
170	SD 638	22338 K	frb 10/400	4 FS680
180	SD 640	22340 K	frb 10/420	4 FS680
200	SD 644	22344 K	frb 10/460	4 FS950
220	SD 648	22348 K	frb 10/500	4 FS950
240	SD 652	22352 K	frb 10/540	4 FS1120

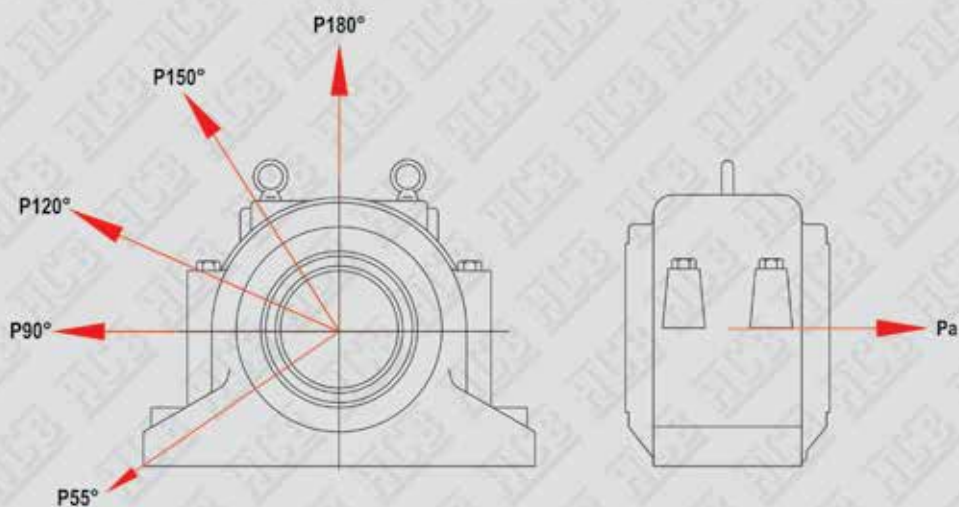


HOUSING	DIMENSIONS											
	Dc	Ca	L	J	H	H ₁	H ₂	A	A ₁	N	N ₁	Kg
SD 630	320	118	650	540	380	190	60	260	280	50	36	120
SD 632	340	124	700	570	400	200	65	280	290	55	40	140
SD 634	360	130	740	610	420	210	65	290	300	55	40	170
SD 636	380	136	780	640	450	225	70	310	320	62	42	195
SD 638	400	142	820	680	475	240	70	320	330	62	42	220
SD 640	420	148	860	710	500	250	85	340	350	65	45	285
SD 644	460	155	920	770	550	280	85	350	360	65	45	370
SD 648	500	165	990	830	590	300	100	380	390	77	52	440
SD 652	540	175	1060	890	640	325	100	400	410	77	52	525

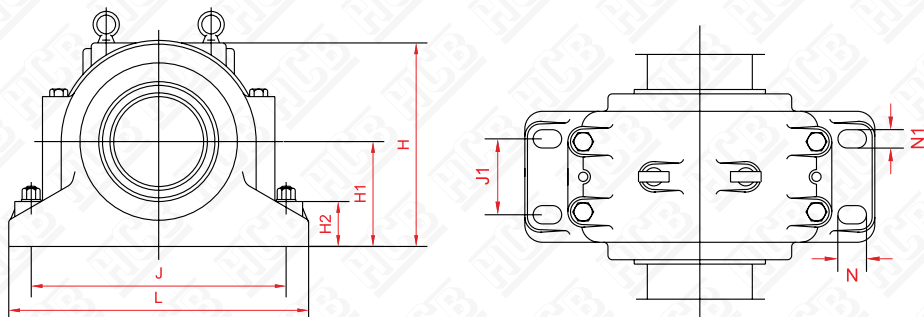


SD 3100 TS-GTS

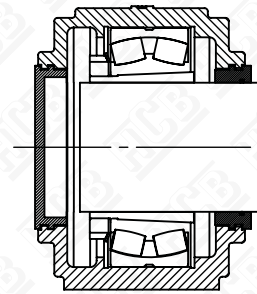
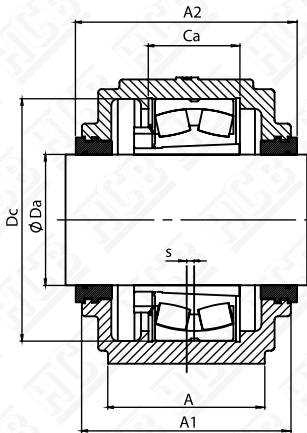




Housing		Breaking loads				
Size	P _{55°} kN	P _{90°} kN	P _{120°} kN	P _{150°} kN	P _{180°} kN	P _a kN
SD 3134	2100	1000	760	680	850	550
SD 3136	2400	1150	850	760	950	620
SD 3138	2700	1300	1000	880	1100	710
SD 3140	3200	1600	1100	1000	1300	840
SD 3144	4000	1900	1400	1300	1600	1000
SD 3148	4200	2000	1500	1400	1700	1100
SD 3152	4700	2300	1700	1500	1900	1200
SD 3156	5000	2400	1800	1600	2000	1300
SD 3160	6000	2900	2200	1900	2400	1500
SD 3164	7000	3400	2500	2200	2800	1800

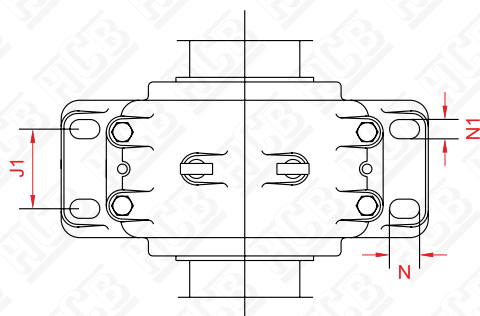
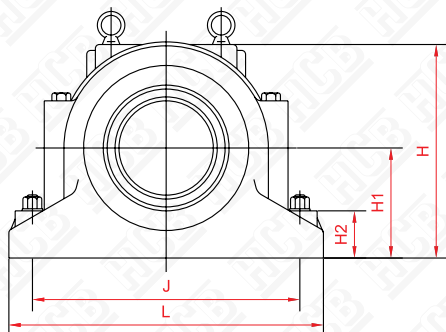


SHAFT	HOUSING	BEARING	LOCATING RING	LABYRINTH	END COVER
Da					
150	SD 3134	23134 K	2 frb 10/280	TS 34	ETS 34
160	SD 3136	23136 K	2 frb 10/300	TS 36	ETS 36
170	SD 3138	23138 K	2 frb 10/320	TS 38	ETS 38
180	SD 3140	23140 K	2 frb 10/340	TS 40	ETS 40
200	SD 3144	23144 K	2 frb 10/370	TS 44	ETS 44
220	SD 3148	23148 K	2 frb 10/400	TS 48	ETS 48
240	SD 3152	23152 K	2 frb 10/440	TS 52	ETS 52
260	SD 3156	23156 K	2 frb 10/460	TS 56	ETS 56
280	SD 3160	23160 K	2 frb 10/500	TS 60	ETS 60
300	SD 3164	23164 K	2 frb 10/540	TS 64	ETS 64

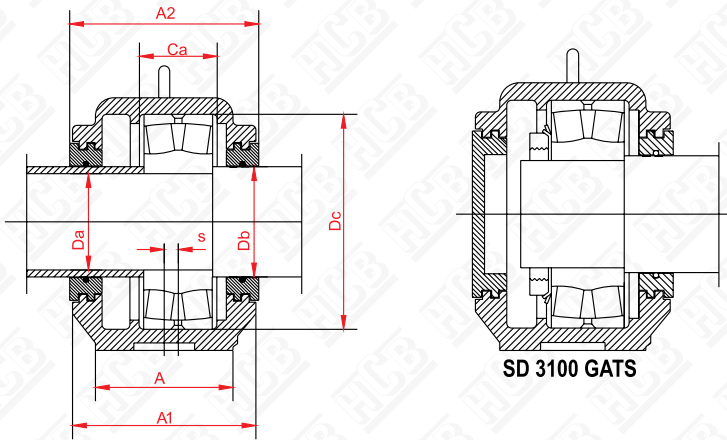


SD 3100 ATS

HOUSING	DIMENSIONS													
	Dc	C _a	L	J	H	H ₁	H ₂	A	A ₁	A ₂	N	N ₁	S	Kg
SD 3134	280	108	510	430	333	170	70	180	230	240	34	28	14	80
SD 3136	300	116	530	450	353	180	75	190	240	260	34	28	15	85
SD 3138	320	124	560	480	375	190	80	210	260	270	34	28	10	110
SD 3140	340	132	610	510	411	210	85	230	280	290	42	35	10	150
SD 3144	370	140	640	540	434	220	90	240	290	300	42	35	12	170
SD 3148	400	148	700	600	474	240	95	260	310	315	42	35	12	210
SD 3152	440	164	770	650	516	260	100	280	320	330	50	42	13	240
SD 3156	460	166	790	670	551	280	105	280	320	330	50	42	16	275
SD 3160	500	180	830	710	591	300	110	310	350	360	50	42	22	355
SD 3164	540	196	880	750	631	320	115	330	370	380	50	42	23	365



SHAFT		HOUSING	BEARING	LOCATING RING	LABYRINTH	END COVER
Da	Db					
170	180	SD 3134 G	23134	2 frb 10/280	TS 40	ETS 40
180	200	SD 3136 G	23136	2 frb 10/300	TS 44	ETS 44
190	200	SD 3138 G	23138	2 frb 10/320	TS 44	ETS 44
200	220	SD 3140 G	23140	2 frb 10/340	TS 48	ETS 48
220	240	SD 3144 G	23144	2 frb 10/370	TS 52	ETS 52
240	260	SD 3148 G	23148	2 frb 10/400	TS 56	ETS 56
260	280	SD 3152 G	23152	2 frb 10/440	TS 60	ETS 60
280	300	SD 3156 G	23156	2 frb 10/460	TS 64	ETS 64
300	320	SD 3160 G	23160	2 frb 10/500	TS 68	ETS 68
320	340	SD 3164 G	23164	2 frb 10/540	TS 72	ETS 72



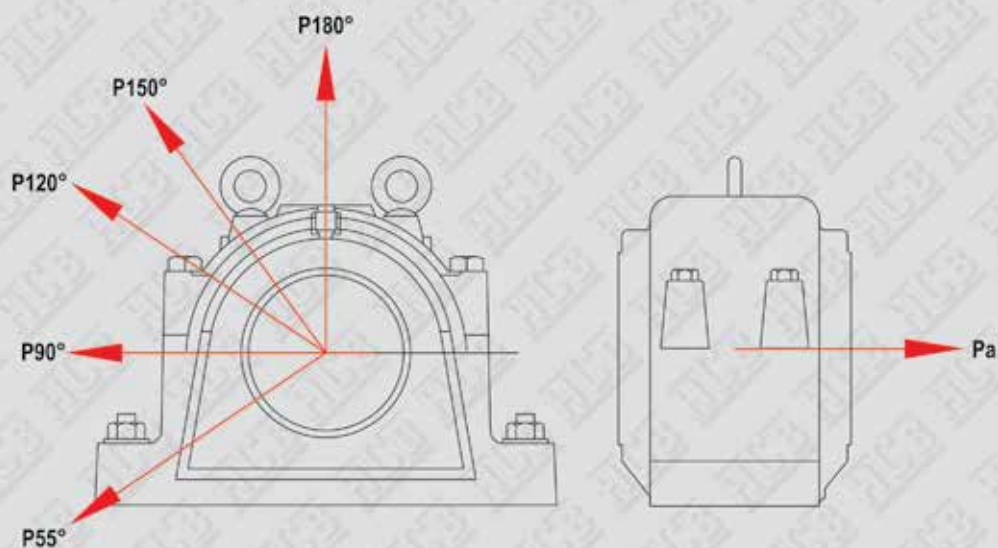
SD 3100 GATS

HOUSING	DIMENSIONS													
	Dc	C _a	L	J	H	H ₁	H ₂	A	A ₁	A ₂	N	N ₁	S	Kg
SD 3134 G	280	108	510	430	333	170	70	180	230	240	34	28	14	80
SD 3136 G	300	116	530	450	353	180	75	190	240	260	34	28	15	85
SD 3138 G	320	124	560	480	375	190	80	210	260	270	34	28	10	110
SD 3140 G	340	132	610	510	411	210	85	230	280	290	42	35	10	150
SD 3144 G	370	140	640	540	434	220	90	240	290	300	42	35	12	170
SD 3148 G	400	148	700	600	474	240	95	260	310	315	42	35	12	210
SD 3152 G	440	164	770	650	516	260	100	280	320	330	50	42	13	240
SD 3156 G	460	166	790	670	551	280	105	280	320	330	50	42	16	275
SD 3160 G	500	180	830	710	591	300	110	310	350	360	50	42	22	355
SD 3164 G	540	196	880	750	631	320	115	330	370	380	50	42	23	365

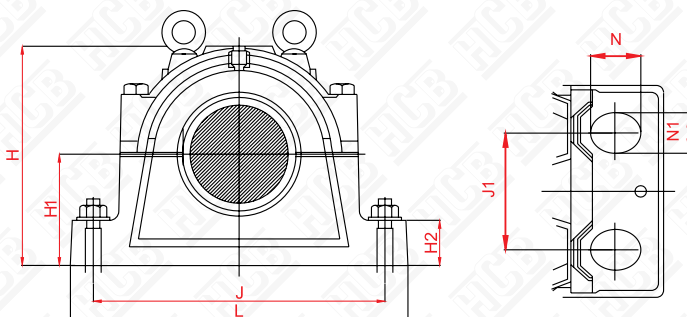


SNH 3000 TS-GTS

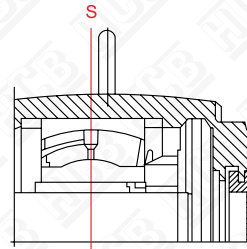
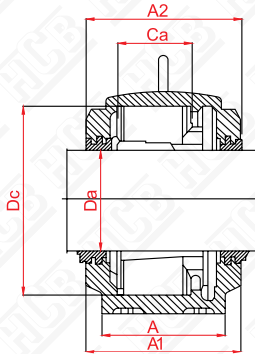




HOUSING	Pa	P0	P55	P90	P120	P150	P180
SNH3036	550	1700	2100	1000	760	680	850
SNH3038	620	1900	2400	1150	850	760	950
SNH3040	710	2200	2700	1300	1000	880	1100
SNH3044	840	2600	3200	1600	1100	1000	1300
SNH3048	1000	3100	4000	1900	1400	1300	1600
SNH3052	1100	3400	4200	2000	1500	1400	1700
SNH3056	1200	3800	4700	2300	1700	1500	1900
SNH3060	1300	4000	5000	2400	1800	1600	2000
SNH3064	1500	4800	6000	2900	2200	1900	2400
SNH3068	1800	5400	7000	3400	2500	2200	2800
SNH3072	1800	5400	7000	3400	2500	2200	2800
SNH3076	1900	6000	7500	3600	2600	2300	3000
SNH3080	2000	6000	7700	3600	2700	2400	3000
SNH3084	2100	6100	8000	3900	2900	2500	3200
SNH3088	2200	7000	8700	4200	3100	2700	3500
SNH3092	2400	7600	9600	4600	3400	3000	3800
SNH3096	2400	7600	9600	4600	3400	3000	3800

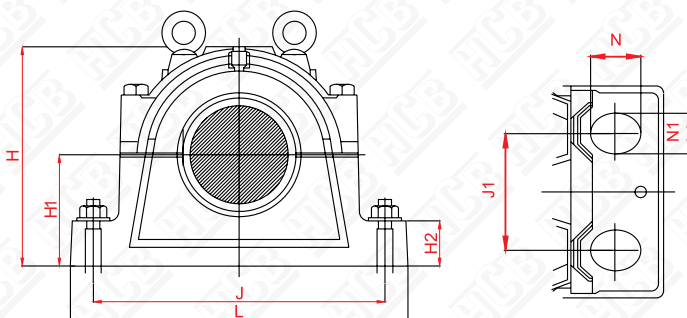


SHAFT Da	HOUSING	BEARING	LOCATING RING	LABYRINTH	END COVER
160	SNH 3036	23036 K	2 frb 17/280	TS 36	ETS 36
170	SNH 3038	23038 K	4 frb 10/290	TS 38	ETS 38
180	SNH 3040	23040 K	4 frb 10/310	TS 40	ETS 40
200	SNH 3044	23044 K	4 frb 10/340	TS 44	ETS 44
220	SNH 3048	23048 K	4 frb 12/360	TS 48	ETS 48
240	SNH 3052	23052 K	2 frb 22/400	TS 52	ETS 52
260	SNH 3056	23056 K	6 frb 10/420	TS 56	ETS 56
280	SNH 3060	23060 K	2 frb 25/460	TS 60	ETS 60
300	SNH 3064	23064 K	6 frb 10/480	TS 64	ETS 64
320	SNH 3068	23068 K	4 frb 16/520	TS 68	ETS 68
340	SNH 3072	23072 K	4 frb 16/540	TS 72	ETS 72
360	SNH 3076 L	23076 K	-	TS 76	ETS 76
360	SNH 3076 F	23076 K	-	TS 76	ETS 76
380	SNH 3080 L	23080 K	-	TS 80	ETS 80
380	SNH 3080 F	23080 K	-	TS 80	ETS 80
400	SNH 3084 L	23084 K	-	TS 84	ETS 84
400	SNH 3084 F	23084 K	-	TS 84	ETS 84
410	SNH 3088 L	23088 K	-	TS 88	ETS 88
410	SNH 3088 F	23088 K	-	TS 88	ETS 88
430	SNH 3092 L	23092 K	-	TS 92	ETS 92
430	SNH 3092 F	23092 K	-	TS 92	ETS 92
450	SNH 3096 L	23096 K	-	TS 96	ETS 96
450	SNH 3096 F	23096 K	-	TS 96	ETS 96

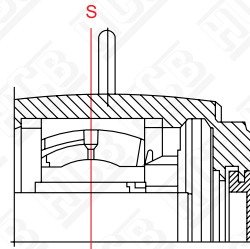
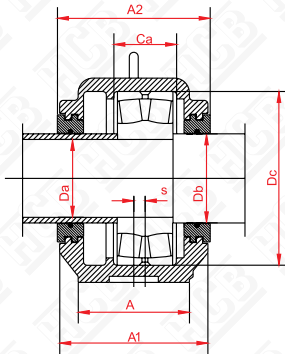


SNH 3000 ATS

HOUSING	DIMENSIONS													
	Dc	C _a	L	J	H	H ₁	H ₂	A	A ₁	A ₂	N	N ₁	G	K _q
SNH 3036	280	108	510	430	333	170	70	180	230	240	34	28	14	75
SNH 3038	290	115	530	450	353	180	75	190	240	260	34	28	15	80
SNH 3040	310	122	560	480	375	190	80	210	260	270	34	28	10	100
SNH 3044	340	130	610	510	411	210	85	230	280	290	42	35	10	125
SNH 3048	360	140	640	540	434	220	90	240	290	300	42	35	12	140
SNH 3052	400	148	700	600	474	240	95	260	310	315	42	35	12	190
SNH 3056	420	166	770	650	516	260	100	280	320	330	50	42	13	225
SNH 3060	460	168	790	670	551	280	105	280	320	330	50	42	16	255
SNH 3064	480	181	830	710	591	300	110	310	350	360	50	42	22	310
SNH 3068	520	197	880	750	631	320	115	330	370	380	50	42	23	340
SNH 3072	540	198	880	750	631	320	115	330	370	380	50	42	23	340
SNH 3076 L	560	180	950	810	675	340	120	360	400	410	50	42	24	435
SNH 3076 F	560	135	950	810	675	340	120	360	400	410	50	42	24	435
SNH 3080 L	600	192	1000	840	695	350	120	360	400	410	50	42	30	460
SNH 3080 F	600	148	1000	840	695	350	120	360	400	410	50	42	30	460
SNH 3084 L	620	194	1040	870	715	360	120	360	400	410	50	42	30	475
SNH 3084 F	620	150	1040	870	715	360	120	360	400	410	50	42	30	475
SNH 3088 L	650	200	1120	950	755	380	125	390	430	440	60	48	30	610
SNH 3088 F	650	157	1120	950	755	380	125	390	430	440	60	48	30	610
SNH 3092 L	680	224	1170	1000	810	410	130	420	455	460	60	48	35	730
SNH 3092 F	680	163	1170	1000	810	410	130	420	455	460	60	48	35	730
SNH 3096 L	700	224	1170	1000	810	410	130	420	455	460	60	48	35	730
SNH 3096 F	700	165	1170	1000	810	410	130	420	455	460	60	48	35	730



SHAFT		HOUSING	BEARING	LOCATING RING	END COVER	SEALS
Da	Db					
180	200	SNH 3036 G	23036	2 frb 17/280	TS 44	ETS 44
190	200	SNH 3038 G	23038	4 frb 10/290	TS 44	ETS 44
200	220	SNH 3040 G	23040	4 frb 10/310	TS 48	ETS 48
220	240	SNH 3044 G	23044	4 frb 10/340	TS 52	ETS 52
240	260	SNH 3048 G	23048	4 frb 12/360	TS 56	ETS 56
260	280	SNH 3052 G	23052	2 frb 22/400	TS 60	ETS 60
280	300	SNH 3056 G	23056	6 frb 10/420	TS 64	ETS 64
300	320	SNH 3060 G	23060	2 frb 25/460	TS 68	ETS 68
320	340	SNH 3064 G	23064	6 frb 10/480	TS 72	ETS 72
340	360	SNH 3068 G	23068	4 frb 16/520	TS 76	ETS 76
360	380	SNH 3072 G	23072	4 frb 16/540	TS 80	ETS 80
380	400	SNH 3076 GL	23076	-	TS 84	ETS 84
380	400	SNH 3076 GF	23076	-	TS 84	ETS 84
400	430	SNH 3080 GL	23080	-	TS 92	ETS 92
400	430	SNH 3080 GF	23080	-	TS 92	ETS 92
420	450	SNH 3084 GL	23084	-	TS 96	ETS 96
420	450	SNH 3084 GF	23084	-	TS 96	ETS 96
440	470	SNH 3088 GL	23088	-	TS 500	ETS 500
440	470	SNH 3088 GF	23088	-	TS 500	ETS 500
460	500	SNH 3092 GL	23092	-	TS 530	ETS 530
460	500	SNH 3092 GF	23092	-	TS 530	ETS 530
480	510	SNH 3096 GL	23096	-	TS 530	ETS 530
480	510	SNH 3096 GF	23096	-	TS 530	ETS 530



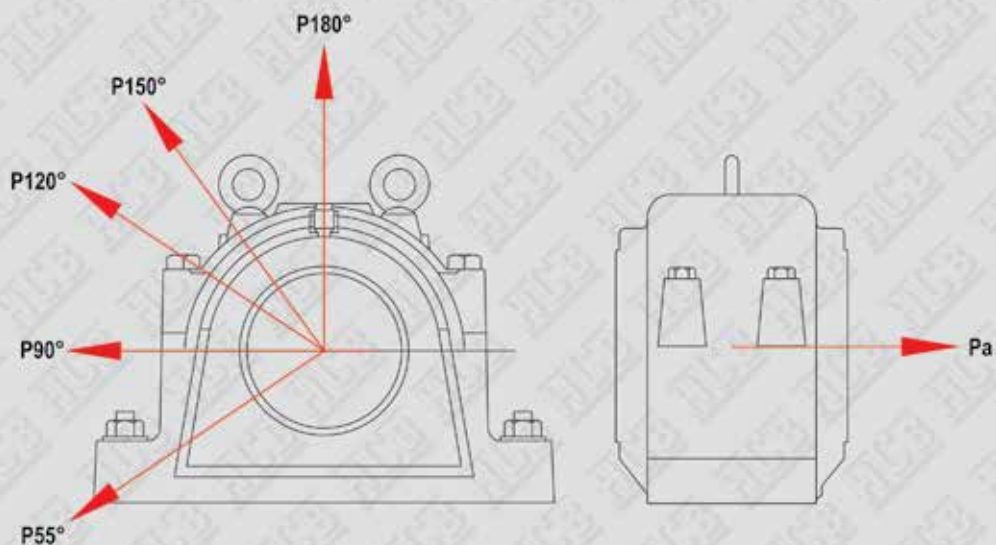
SNH 3000 GATS

HOUSING	DIMENSIONS													
	Dc	Ca	L	J	H	H ₁	H ₂	A	A ₁	A ₂	N	N ₁	G	Kg
SNH 3036 G	280	108	510	430	333	170	70	180	230	240	34	28	14	75
SNH 3038 G	290	115	530	450	353	180	75	190	240	260	34	28	15	80
SNH 3040 G	310	122	560	480	375	190	80	210	260	270	34	28	10	100
SNH 3044 G	340	130	610	510	411	210	85	230	280	290	42	35	10	125
SNH 3048 G	360	140	640	540	434	220	90	240	290	300	42	35	12	140
SNH 3052 G	400	148	700	600	474	240	95	260	310	315	42	35	12	190
SNH 3056 G	420	166	770	650	516	260	100	280	320	330	50	42	13	225
SNH 3060 G	460	168	790	670	551	280	105	280	320	330	50	42	16	255
SNH 3064 G	480	181	830	710	591	300	110	310	350	360	50	42	22	310
SNH 3068 G	520	197	880	750	631	320	115	330	370	380	50	42	23	340
SNH 3072 G	540	198	880	750	631	320	115	330	370	380	50	42	23	340
SNH 3076 GL	560	180	950	810	675	340	120	360	400	410	50	42	24	435
SNH 3076 GF	560	135	950	810	675	340	120	360	400	410	50	42	24	435
SNH 3080 GL	600	192	1000	840	695	350	120	360	400	410	50	42	30	460
SNH 3080 GF	600	148	1000	840	695	350	120	360	400	410	50	42	30	460
SNH 3084 GL	620	194	1040	870	715	360	120	360	400	410	50	42	30	475
SNH 3084 GF	620	150	1040	870	715	360	120	360	400	410	50	42	30	475
SNH 3088 GL	650	200	1120	950	755	380	125	390	430	440	60	48	30	610
SNH 3088 GF	650	157	1120	950	755	380	125	390	430	440	60	48	30	610
SNH 3092 GL	680	224	1170	1000	810	410	130	420	455	460	60	48	35	730
SNH 3092 GF	680	163	1170	1000	810	410	130	420	455	460	60	48	35	730
SNH 3096 GL	700	224	1170	1000	810	410	130	420	455	460	60	48	35	730
SNH 3096 GF	700	165	1170	1000	810	410	130	420	455	460	60	48	35	730

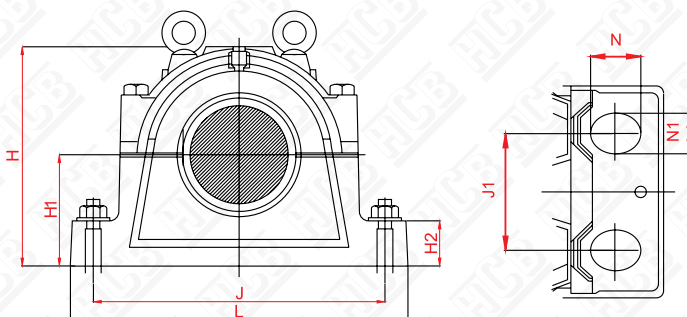


SNH 3100 TS-GTS

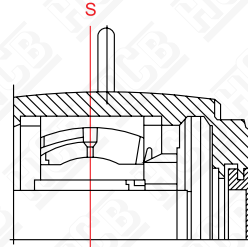
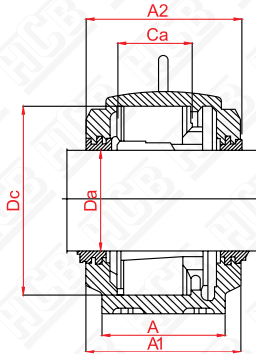




HOUSING	Pa	P0	P55	P90	P120	P150	P180
SNH3134	550	1700	2100	1000	760	680	850
SNH3136	620	1900	2400	1150	850	760	950
SNH3138	710	2200	2700	1300	1000	880	1100
SNH3140	840	2600	3200	1600	1100	1000	1300
SNH3144	1000	3100	4000	1900	1400	1300	1600
SNH3148	1100	3400	4200	2000	1500	1400	1700
SNH3152	1200	3800	4700	2300	1700	1500	1900
SNH3156	1300	4000	5000	2400	1800	1600	2000
SNH3160	1500	4800	6000	2900	2200	1900	2400
SNH3164	1800	5400	7000	3400	2500	2200	2800
SNH3168	1900	6000	7500	3600	2600	2300	3000
SNH3172	2000	6000	7700	3600	2700	2400	3000
SNH3176	2100	6100	8000	3900	2900	2500	3200
SNH3180	2200	7000	8700	4200	3100	2700	3500
SNH3184	2400	7600	9600	4600	3400	3000	3800
SNH3188	2500	8000	10000	4800	3600	3100	4000
SNH3192	2700	8400	10700	5200	3800	3300	4200
SNH3196	2800	8800	11200	5400	4000	3500	4400

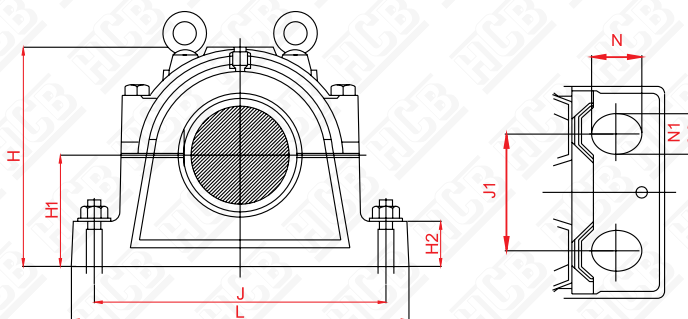


SHAFT Da	HOUSING	BEARING	LOCATING RING	LABYRINTH	END COVER
150	SNH 3134	23134 K	2 frb 10/280	TS 34	ETS 34
160	SNH 3136	23136 K	2 frb 10/300	TS 36	ETS 36
170	SNH 3138	23138 K	2 frb 10/320	TS 38	ETS 38
180	SNH 3140	23140 K	2 frb 10/340	TS 40	ETS 40
200	SNH 3144	23144 K	2 frb 10/370	TS 44	ETS 44
220	SNH 3148	23148 K	2 frb 10/400	TS 48	ETS 48
240	SNH 3152	23152 K	2 frb 10/440	TS 52	ETS 52
260	SNH 3156	23156 K	2 frb 10/460	TS 56	ETS 56
280	SNH 3160	23160 K	2 frb 10/500	TS 60	ETS 60
300	SNH 3164	23164 K	2 frb 10/540	TS 64	ETS 64
320	SNH 3168 L	23168 K	-	TS 68	ETS 68
320	SNH 3168 F	23168 K	-	TS 68	ETS 68
340	SNH 3172 L	23172 K	-	TS 72	ETS 72
340	SNH 3172 F	23172 K	-	TS 72	ETS 72
360	SNH 3176 L	23176 K	-	TS 76	ETS 76
360	SNH 3176 F	23176 K	-	TS 76	ETS 76
380	SNH 3180 L	23180 K	-	TS 80	ETS 80
380	SNH 3180 F	23180 K	-	TS 80	ETS 80
400	SNH 3184 L	23184 K	-	TS 84	ETS 84
400	SNH 3184 F	23184 K	-	TS 84	ETS 84
410	SNH 3188 L	23188 K	-	TS 88	ETS 88
410	SNH 3188 F	23188 K	-	TS 88	ETS 88
430	SNH 3192 L	23192 K	-	TS 92	ETS 92
430	SNH 3192 F	23192 K	-	TS 92	ETS 92
450	SNH 3196 L	23196 K	-	TS 96	ETS 96
450	SNH 3196 F	23196 K	-	TS 96	ETS 96



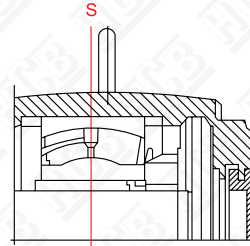
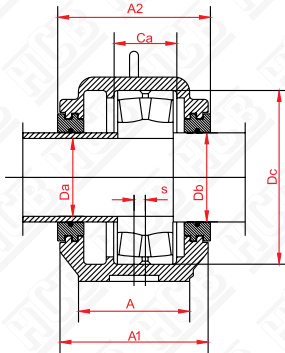
SNH 3100 ATS

HOUSING	DIMENSIONS													Kg
	Dc	C _a	L	J	H	H ₁	H ₂	A	A ₁	A ₂	N	N ₁	G	
SNH 3134	280	108	510	430	333	170	70	180	230	240	34	28	14	75
SNH 3136	300	116	530	450	353	180	75	190	240	260	34	28	15	80
SNH 3138	320	124	560	480	375	190	80	210	260	270	34	28	10	100
SNH 3140	340	132	610	510	411	210	85	230	280	290	42	35	10	125
SNH 3144	370	140	640	540	434	220	90	240	290	300	42	35	12	140
SNH 3148	400	148	700	600	474	240	95	260	310	315	42	35	12	190
SNH 3152	440	164	770	650	516	260	100	280	320	330	50	42	13	225
SNH 3156	460	166	790	670	551	280	105	280	320	330	50	42	16	255
SNH 3160	500	180	830	710	591	300	110	310	350	360	50	42	22	310
SNH 3164	540	196	880	750	631	320	115	330	370	380	50	42	23	340
SNH 3168 L	580	210	950	810	675	340	120	360	400	410	50	42	24	435
SNH 3168 F	580	190	950	810	675	340	120	360	400	410	50	42	24	435
SNH 3172 L	600	212	1000	840	695	350	120	360	400	410	50	42	30	460
SNH 3172 F	600	192	1000	840	695	350	120	360	400	410	50	42	30	460
SNH 3176 L	620	214	1040	870	715	360	120	360	400	410	50	42	30	475
SNH 3176 F	620	194	1040	870	715	360	120	360	400	410	50	42	30	475
SNH 3180 L	650	220	1120	950	755	380	125	390	430	440	60	48	30	610
SNH 3180 F	650	200	1120	950	755	380	125	390	430	440	60	48	30	610
SNH 3184 L	700	244	1170	1000	810	410	130	420	455	460	60	48	35	730
SNH 3184 F	700	224	1170	1000	810	410	130	420	455	460	60	48	35	730
SNH 3188 L	720	246	1220	1030	835	420	135	430	460	470	60	48	35	765
SNH 3188 F	720	226	1220	1030	835	420	135	430	460	470	60	48	35	765
SNH 3192 L	760	260	1280	1070	880	440	145	440	470	480	60	48	35	880
SNH 3192 F	760	240	1280	1070	880	440	145	440	470	480	60	48	35	880
SNH 3196 L	790	268	1330	1110	920	460	155	440	470	480	70	56	35	975
SNH 3196 F	790	248	1330	1110	920	460	155	440	470	480	70	56	35	975



SHAFT		HOUSING	BEARING	LOCATING RING	LABYRINTH	END COVER
Da	Db					
170	180	SNH 3134 G	23134	2 frb 10/280	TS 40	ETS 40
180	200	SNH 3136 G	23136	2 frb 10/300	TS 44	ETS 44
190	200	SNH 3138 G	23138	2 frb 10/320	TS 44	ETS 44
200	220	SNH 3140 G	23140	2 frb 10/340	TS 48	ETS 48
220	240	SNH 3144 G	23144	2 frb 10/370	TS 52	ETS 52
240	260	SNH 3148 G	23148	2 frb 10/400	TS 56	ETS 56
260	280	SNH 3152 G	23152	2 frb 10/440	TS 60	ETS 60
280	300	SNH 3156 G	23156	2 frb 10/460	TS 64	ETS 64
300	320	SNH 3160 G	23160	2 frb 10/500	TS 68	ETS 68
320	340	SNH 3164 G	23164	2 frb 10/540	TS 72	ETS 72
340	360	SNH 3168 GL	23168	-	TS 76	ETS 76
340	360	SNH 3168 GF	23168	-	TS 76	ETS 76
360	380	SNH 3172 GL	23172	-	TS 80	ETS 80
360	380	SNH 3172 GF	23172	-	TS 80	ETS 80
380	400	SNH 3176 GL	23176	-	TS 84	ETS 84
380	400	SNH 3176 GF	23176	-	TS 84	ETS 84
400	430	SNH 3180 GL	23180	-	TS 92	ETS 92
400	430	SNH 3180 GF	23180	-	TS 92	ETS 92
420	450	SNH 3184 GL	23184	-	TS 96	ETS 96
420	450	SNH 3184 GF	23184	-	TS 96	ETS 96
440	470	SNH 3188 GL	23188	-	TS 500	ETS 500
440	470	SNH 3188 GL	23188	-	TS 500	ETS 500
460	500	SNH 3192 GL	23192	-	TS 530	ETS 530
460	500	SNH 3192 GF	23192	-	TS 530	ETS 530
480	520	SNH 3196 GL	23196	-	TS 560	ETS 560
480	520	SNH 3196 GF	23196	-	TS 560	ETS 560

SNH 3100 GTS



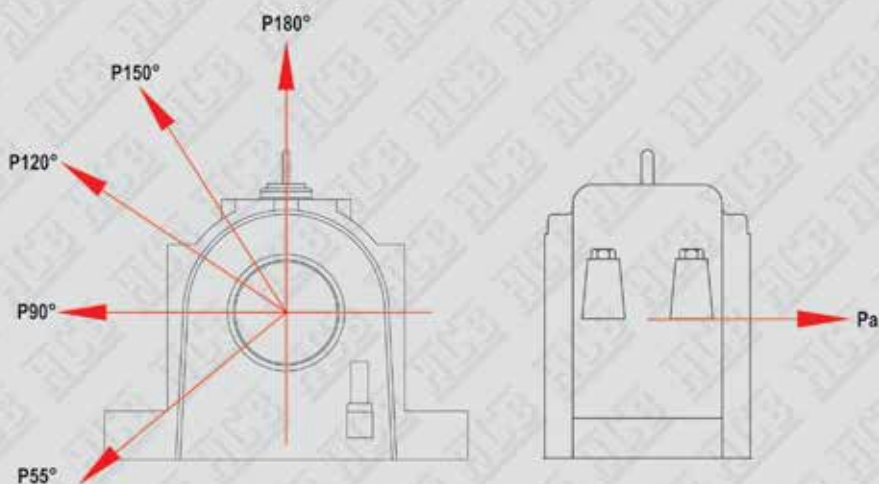
SNH 3100 GATS

HOUSING	DIMENSIONS														
	Dc	C _a	L	J	H	H ₁	H ₂	A	A ₁	A ₂	N	N ₁	G	Kg	
SNH 3134 G	280	108	510	430	333	170	70	180	230	240	34	28	14	75	
SNH 3136 G	300	116	530	450	353	180	75	190	240	260	34	28	15	80	
SNH 3138 G	320	124	560	480	375	190	80	210	260	270	34	28	10	100	
SNH 3140 G	340	132	610	510	411	210	85	230	280	290	42	35	10	125	
SNH 3144 G	370	140	640	540	434	220	90	240	290	300	42	35	12	140	
SNH 3148 G	400	148	700	600	474	240	95	260	310	315	42	35	12	190	
SNH 3152 G	440	164	770	650	516	260	100	280	320	330	50	42	13	225	
SNH 3156 G	460	166	790	670	551	280	105	280	320	330	50	42	16	255	
SNH 3160 G	500	180	830	710	591	300	110	310	350	360	50	42	22	310	
SNH 3164 G	540	196	880	750	631	320	115	330	370	380	50	42	23	340	
SNH 3168 GL	580	210	950	810	675	340	120	360	400	410	50	42	24	435	
SNH 3168 GF	580	190	950	810	675	340	120	360	400	410	50	42	24	435	
SNH 3172 GL	600	212	1000	840	695	350	120	360	400	410	50	42	30	460	
SNH 3172 GF	600	192	1000	840	695	350	120	360	400	410	50	42	30	460	
SNH 3176 GL	620	214	1040	870	715	360	120	360	400	410	50	42	30	475	
SNH 3176 GF	620	194	1040	870	715	360	120	360	400	410	50	42	30	475	
SNH 3180 GL	650	220	1120	950	755	380	125	390	430	440	60	48	30	610	
SNH 3180 GF	650	200	1120	950	755	380	125	390	430	440	60	48	30	610	
SNH 3184 GL	700	244	1170	1000	810	410	130	420	455	460	60	48	35	730	
SNH 3184 GF	700	224	1170	1000	810	410	130	420	455	460	60	48	35	730	
SNH 3188 GL	720	246	1220	1030	835	420	135	430	460	470	60	48	35	765	
SNH 3188 GF	720	226	1220	1030	835	420	135	430	460	470	60	48	35	765	
SNH 3192 GL	760	260	1280	1070	880	440	145	440	470	480	60	48	35	880	
SNH 3192 GF	760	240	1280	1070	880	440	145	440	470	480	60	48	35	880	
SNH 3196 GL	790	268	1330	1110	920	460	155	440	470	480	70	56	35	975	
SNH 3196 GF	790	248	1330	1110	920	460	155	440	470	480	70	56	35	975	

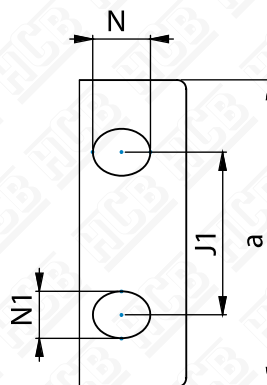
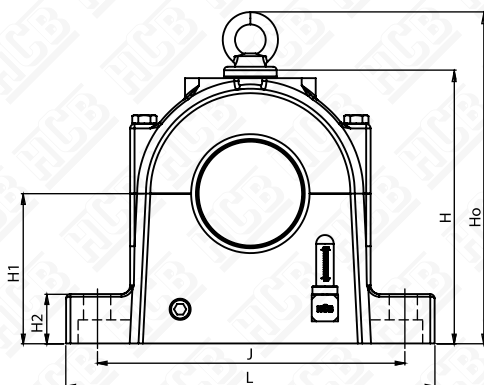


SONH 200-500

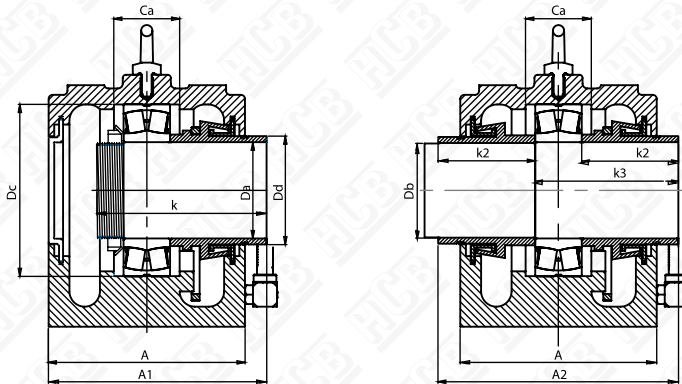




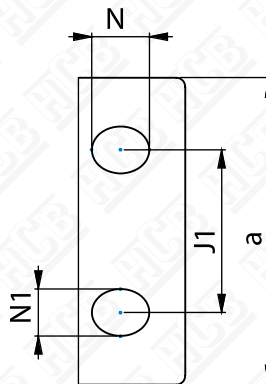
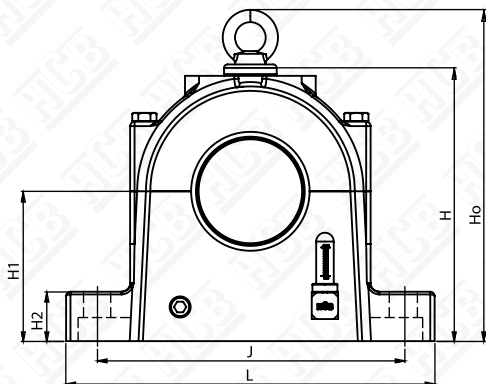
HOUSING	Pa	P55	P90	P120	P150	P180
SONH 217-517	90	690	260	190	180	230
SONH 218-518	120	900	350	250	230	300
SONH 220-520	140	1080	450	300	280	360
SONH 222-522	170	1260	500	350	320	420
SONH 224-524	280	2100	750	550	540	700
SONH 226-526	340	2500	950	700	650	850
SONH 228-528	340	2500	1000	700	650	850
SONH 230-530	400	3000	1200	800	750	1000
SONH 232-532	400	3000	1200	800	750	1000
SONH 234-534	450	3350	1300	950	850	1100
SONH 236-536	500	3750	1500	1000	950	1250
SONH 238-538	500	3750	1500	1000	950	1250
SONH 240-540	660	4900	2000	1350	1250	1650
SONH 244-544	840	6350	2500	1750	1600	2100
SONH 248-548	840	6350	2500	1750	1600	2100



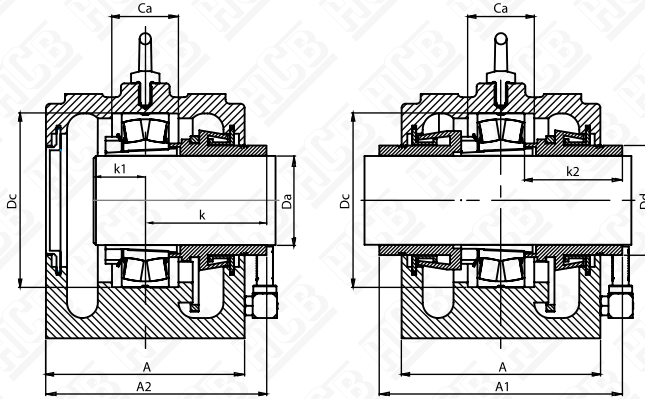
SHAFT			HOUSING	BEARING	LOCATING RING	SEAL KIT	END COVER
Da	Db	Dd					
85	83	96	SONH 217	2217	2 frb 5/150	TSO 217	ECO 217-517
				22217	2 frb 5/150		
90	88	100	SONH 218	2218	2 frb 5/160	TSO 218	ECO 218-518
				22218	2 frb 5/160		
100	98	112	SONH 220	2220	2 frb 7/180	TSO 220	ECO 220-520
				22220	2 frb 7/180		
110	108	120	SONH 222	2222	2 frb 9/200	TSO 222	ECO 222-522
				22222	2 frb 9/200		
120	118	135	SONH 224	22224	2 frb 12/215	TSO 224	ECO 224-524
130	128	145	SONH 226	22226	2 frb 11/230	TSO 226	ECO 226-526
140	138	160	SONH 228	22228	2 frb 11/250	TSO 228	ECO 228-528
150	148	170	SONH 230	22230	2 frb 10/270	TSO 230	ECO 230-530
160	158	178	SONH 232	22232	2 frb 12/290	TSO 232	ECO 232-532
170	168	195	SONH 234	22234	2 frb 14/310	TSO 234	ECO 234-534
180	177	205	SONH 236	22236	2 frb 14/320	TSO 236	ECO 236-536
190	188	220	SONH 238	22238	2 frb 14/340	TSO 238	ECO 238-538
200	198	227	SONH 240	22240	2 frb 14/360	TSO 240	ECO 240-540
220	218	255	SONH 244	22244	2 frb 14/400	TSO 244	ECO 244-544
240	238	270	SONH 248	22248	2 frb 14/440	TSO 248	ECO 248-548



HOUSING	DIMENSIONS																		
	Dc	Ca	L	J	Ho	H	H ₁	H ₂	A	A ₁	A ₂	k	k ₂	k ₃	a	J ₁	N	N ₁	Kg
SONH 217	150	46	330	260	283	230	125	35	163	180	172	130	72	108	110	60	28	22	110
SONH 218	160	50	360	290	298	245	135	45	170	190	180	137	75	115	120	70	28	22	120
SONH 220	180	60	400	320	323	270	145	50	186	206	196	150	80	126	130	75	32	26	130
SONH 222	200	71	420	347	343	290	160	50	213	229	221	167	88	141	145	75	32	26	145
SONH 224	215	82	420	347	386	315	170	55	245	276	261	194	109	167	170	90	32	26	170
SONH 226	230	86	450	377	406	335	180	60	255	270	263	195	103	167	180	100	35	28	180
SONH 228	250	90	500	415	426	355	190	65	260	280	270	203	106	174	190	100	42	35	190
SONH 230	270	93	540	450	446	375	200	65	260	280	270	207.5	103.5	176.5	190	115	42	35	190
SONH 232	290	104	560	470	477	406	215	65	278	316	297	231	118	198	205	120	42	35	205
SONH 234	310	114	610	515	530	440	235	70	310	350	330	252	132	*	230	130	42	35	230
SONH 236	320	114	650	545	545	455	245	75	320	360	340	258	137	*	240	150	42	35	240
SONH 238	340	120	720	590	570	480	260	85	330	370	350	267	139	*	250	150	50	42	250
SONH 240	360	126	730	600	600	510	275	85	338	378	358	275	140	*	260	160	50	42	260
SONH 244	400	136	820	670	674	565	305	95	358	404	381	297	148	*	280	180	50	42	350
SONH 248	440	148	900	740	734	625	340	100	368	420	391	315	150	*	290	190	50	42	450



SHAFT		HOUSING	BEARING	LOCATING RING	SEAL KIT	END COVER
Da	Dd					
75	96	SONH 517	2217 K	2 frb 5/150	TSO 517	ECO 217-517
			22217 K	2 frb 5/150		
80	100	SONH 518	2218 K	2 frb 5/160	TSO 518	ECO 218-518
			22218 K	2 frb 5/160		
90	112	SONH 520	2220 K	2 frb 7/180	TSO 520	ECO 220-520
			22220 K	2 frb 7/180		
100	120	SONH 522	2222 K	2 frb 9/200	TSO 522	ECO 222-522
			22222 K	2 frb 9/200		
110	135	SONH 524	22224 K	2 frb 12/215	TSO 524	ECO 224-524
115	145	SONH 526	22226 K	2 frb 11/230	TSO 526	ECO 226-526
125	160	SONH 528	22228 K	2 frb 11/250	TSO 528	ECO 228-528
135	170	SONH 530	22230 K	2 frb 10/270	TSO 530	ECO 230-530
140	178	SONH 532	22232 K	2 frb 12/290	TSO 532	ECO 232-532
150	195	SONH 534	22234 K	2 frb 14/310	TSO 534	ECO 234-534
160	205	SONH 536	22236 K	2 frb 14/320	TSO 536	ECO 236-536
170	220	SONH 538	22238 K	2 frb 14/340	TSO 538	ECO 238-538
180	227	SONH 540	22240 K	2 frb 14/360	TSO 540	ECO 240-540
200	255	SONH 544	22244 K	2 frb 14/400	TSO 544	ECO 244-544
220	270	SONH 548	22248 K	2 frb 14/440	TSO 548	ECO 248-548

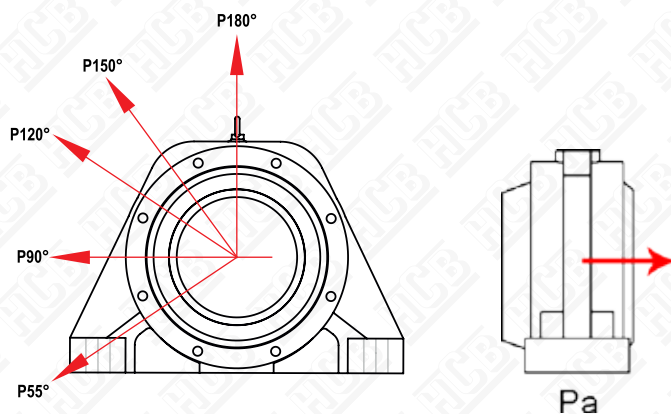


HOUSING	DIMENSIONS																		
	Dc	C _a	L	J	Ho	H	H ₁	H ₂	A	A ₁	A ₂	k	k1	k2	a	J1	N	N ₁	Kg
SONH 517	150	46	330	260	283	230	125	35	163	172	180	90	40	72	110	60	28	22	110
SONH 518	160	50	360	290	298	245	135	45	170	180	190	95	42	75	120	70	28	22	120
SONH 520	180	60	400	320	323	270	145	50	186	196	206	103	46	80	130	75	32	26	130
SONH 522	200	71	420	347	343	290	160	50	213	221	229	114.5	52.5	88	145	75	32	26	145
SONH 524	215	82	420	347	386	315	170	55	245	261	276	138	56	109	170	90	32	26	170
SONH 526	230	86	450	377	406	335	180	60	255	263	270	135	60	103	180	100	35	28	180
SONH 528	250	90	500	415	426	355	190	65	260	270	280	140	63	106	190	100	42	35	190
SONH 530	270	93	540	450	446	375	200	65	260	270	280	140	67.5	103.5	190	115	42	35	190
SONH 532	290	104	560	470	477	406	215	65	278	297	316	158	73	118	205	120	42	35	205
SONH 534	310	114	610	515	530	440	235	70	310	330	350	175	77	132	230	130	42	35	230
SONH 536	320	114	650	545	545	455	245	75	320	340	360	180	78	137	240	150	42	35	240
SONH 538	340	120	720	590	570	480	260	85	330	350	370	185	82	139	250	150	50	42	250
SONH 540	360	126	730	600	600	510	275	85	338	358	378	189	86	140	260	160	50	42	260
SONH 544	400	136	820	670	674	565	305	95	358	381	404	202	95	148	280	180	50	42	350
SONH 548	440	148	900	740	734	625	340	100	368	391	420	210	105	150	290	190	50	42	450

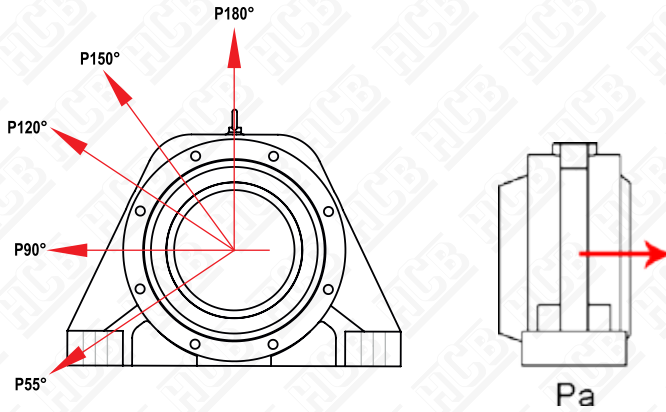
HBD series





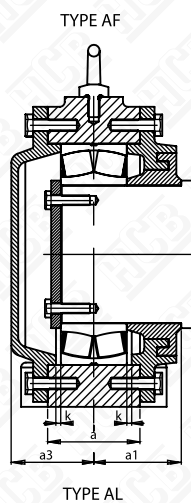
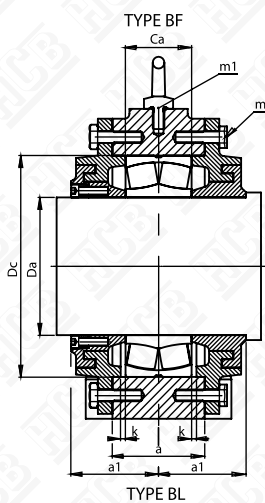
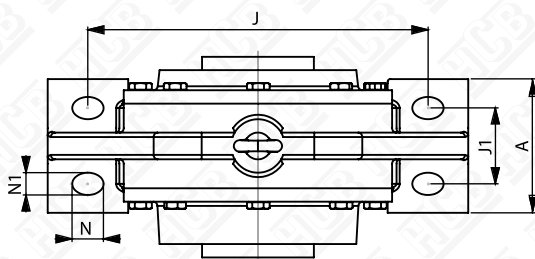
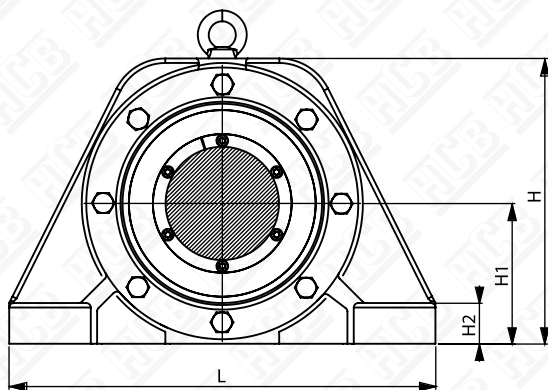


HOUSING	HOUSING	Pa	P55	P90	P120	P150	P180
HBD2220	HBD3024	100	700	600	550	450	550
HBD2222	HBD3026	100	850	700	600	500	600
HBD2224	HBD3028	150	1000	800	650	550	650
HBD2226	HBD3030	200	1100	900	1150	950	1150
HBD2228	HBD3032	250	1250	1000	1200	1000	1200
-	HBD3034	250	1500	1200	1200	1000	1200
HBD2230	HBD3036	250	1700	1350	1200	1000	1200
HBD2232	HBD3038	250	1850	1450	1350	1050	1350
HBD2234	HBD3040	350	2150	1700	1650	1350	1650
HBD2236	-	400	2400	1950	1900	1500	1900
HBD2238	HBD3044	400	2400	1950	1900	1500	1900
HBD2240	HBD3048	550	2750	2200	2650	2100	2650
HBD2244	HBD3052	550	3100	2450	2700	2150	2700
-	HBD3056	650	3600	2850	3350	2650	3350
HBD2248	HBD3060	700	4000	3150	3450	2800	3450
HBD2252	HBD3064	700	4400	3500	3700	2950	3700
HBD2256	HBD3068	700	4800	3850	3700	2950	3700
HBD2260	HBD3072	900	5250	4200	4450	3550	4450
-	HBD3076	900	5900	4700	4550	3650	4550
HBD2264	HBD3080	1000	6550	5300	4950	3950	4950
-	HBD3084	1000	7300	5850	5000	4000	5000



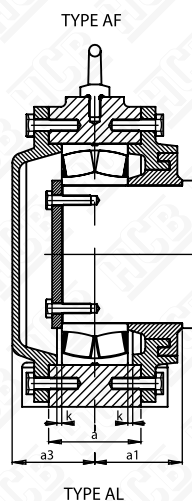
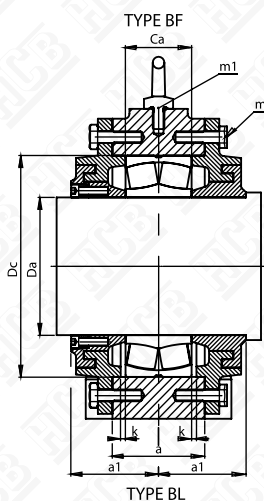
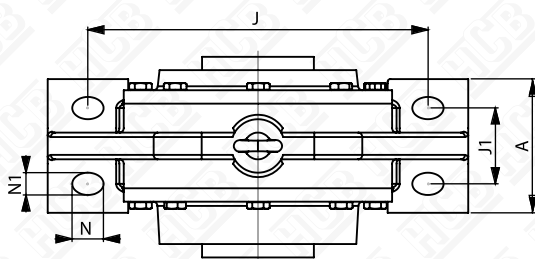
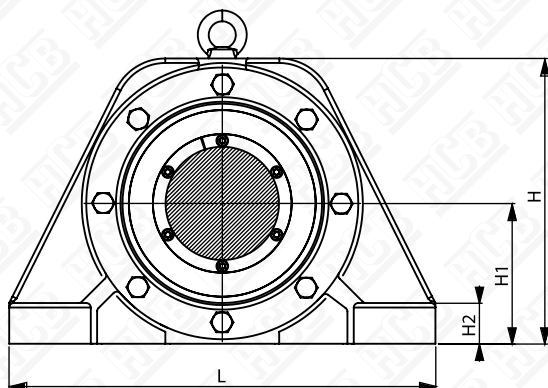
HOUSING	HOUSING	Pa	P55	P90	P120	P150	P180
HBD3122	-	200	1050	850	900	750	900
HBD3124	HBD3222	200	1000	800	900	750	900
HBD3126	HBD3224	200	1100	900	950	750	950
HBD3128	HBD3226	200	1250	1000	950	750	950
HBD3130	HBD3228	200	1500	1200	950	800	950
HBD3132	HBD3230	200	1700	1350	1000	800	1000
HBD3134	HBD3232	200	1950	1550	1000	850	1000
HBD3136	HBD3234	200	2350	1850	1100	900	1100
HBD3138	HBD3236	250	2500	2000	1150	950	1150
HBD3140	HBD3238	250	3100	2450	1250	1000	1250
HBD3144	HBD3240	300	3350	2700	1400	1100	1400
HBD3148	HBD3244	350	3700	3000	1650	1350	1650
HBD3152	HBD3248	400	4200	3350	1950	1500	1900
HBD3156	HBD3252	450	5100	4100	2300	1850	2300
HBD3160	HBD3256	500	5500	4500	3450	1950	2450
HBD3164	HBD3260	550	6500	5200	2800	2200	2800
HBD3168	HBD3264	650	7800	6200	3150	2500	3150
HBD3172	-	700	7900	6350	3600	2900	3600
HBD3176	HBD3268	700	8900	7000	3600	2900	3600
HBD3180	HBD3272	800	9700	7800	4000	3150	4000
-	HBD3276	900	10300	8200	4400	3500	4400
HBD3184		1000	10500	8500	4400	3500	4400
-	HBD3280	1000	12200	9800	5000	4000	5000
-	HBD3284	1150	13350	10500	5800	4600	5800

SHAFT Da	HOUSING	BEARING
100	HBD 2220	22220
110	HBD 2222	22222
110	HBD 3122	23122
110	HBD 3222	23222
120	HBD 3024	23024
120	HBD 3124	23124
120	HBD 2224	22224
120	HBD 3224	23224
130	HBD 3026	23026
130	HBD 3126	23126
130	HBD 2226	22226
130	HBD 3226	23226
140	HBD 3028	23028
140	HBD 3128	23128
140	HBD 2228	22228
140	HBD 3228	23228
150	HBD 3030	23030
150	HBD 3130	23130
150	HBD 2230	22230
150	HBD 3230	23230



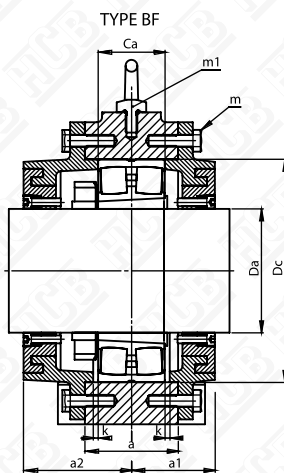
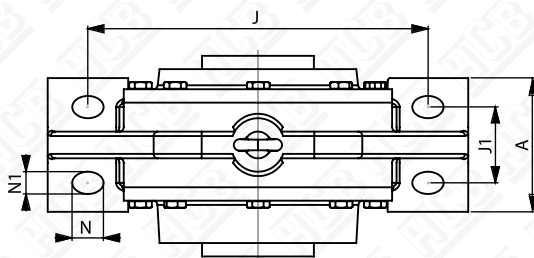
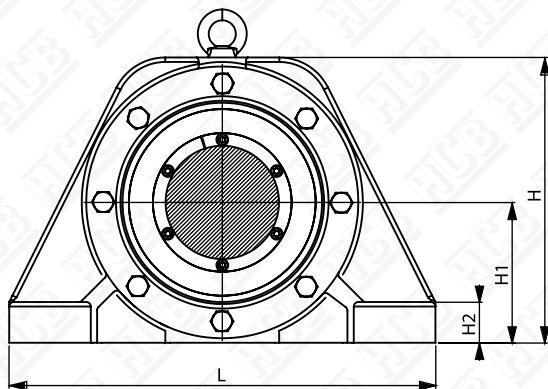
HOUSING	DIMENSIONS																	
	Dc	C _a	L	J	J1	A	H	H ₁	H ₂	a	a1	a3	k	m	m1	N	N ₁	Kg
HBD 2220	180	46	370	300	60	110	230	115	35	56	70	63	2	M8	M12	35	24	30
HBD 2222	200	53	410	340	80	150	270	130	40	80	81	83	2	M12	M12	35	25	50
HBD 3122	180	56	400	300	60	120	260	130	38	64	78	68	2	M8	M12	35	24	45
HBD 3222	200	69.8	440	350	70	130	285	140	42	90	91	76	2	M12	M16	35	28	55
HBD 3024	180	46	370	300	60	110	230	115	35	56	63	63	2	M8	M12	35	24	25
HBD 3124	200	62	410	330	80	140	285	140	40	85	76	78	2	M12	M12	35	25	55
HBD 2224	215	58	430	360	70	130	275	140	40	70	80.5	68	3	M8	M12	35	28	50
HBD 3224	215	76	470	370	75	140	305	150	42	95	93	78	2	M12	M16	35	30	60
HBD 3026	200	52	410	340	60	120	260	130	38	64	68	68	2	M8	M12	35	24	35
HBD 3126	210	64	430	350	80	140	295	145	40	90	80	80	2	M12	M12	35	25	60
HBD 2226	230	64	455	370	80	140	290	145	42	76	88	70	3	M10	M12	35	28	60
HBD 3226	230	80	500	400	85	150	325	160	45	100	103	78	2	M12	M16	40	30	70
HBD 3028	210	53	430	360	70	130	275	140	40	70	68	68	3	M8	M12	35	28	40
HBD 3128	225	68	470	380	85	150	315	155	45	95	85	85	2	M12	M12	35	25	70
HBD 2228	250	68	510	420	95	160	330	165	50	82	94	83	3	M10	M12	45	35	75
HBD 3228	250	88	530	430	85	160	350	170	50	110	108	88	3	M16	M20	40	30	85
HBD 3030	225	56	455	370	80	140	290	145	42	76	73	70	3	M10	M12	35	28	45
HBD 3130	250	80	580	450	110	200	345	170	60	102	93	93	3	M12	M16	45	35	90
HBD 2230	270	73	540	450	100	170	360	180	52	90	98	88	3	M12	M16	45	35	85
HBD 3230	270	96	550	450	90	170	375	180	54	120	113	93	3	M16	M20	45	35	100

SHAFT Da	HOUSING	BEARING
160	HBD 3032	23032
160	HBD 3132	23132
160	HBD 2232	22232
160	HBD 3232	23232
170	HBD 3034	23034
170	HBD 3134	23134
170	HBD 2234	22234
170	HBD 3234	23234
180	HBD 3036	23036
180	HBD 3136	23136
180	HBD 2236	22236
180	HBD 3236	23236
190	HBD 3038	23038
190	HBD 3138	23138
190	HBD 2238	22238
190	HBD 3238	23238
200	HBD 3040	23040
200	HBD 3140	23140
200	HBD 2240	22240
200	HBD 3240	23240

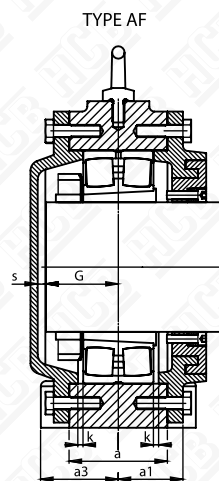


HOUSING	DIMENSIONS																	
	Dc	C _a	L	J	J1	A	H	H ₁	H ₂	a	a1	a3	k	m	m1	N	N ₁	Kg
HBD 3032	240	60	480	390	90	150	310	155	45	76	78	76	3	M10	M12	35	28	45
HBD 3132	270	86	540	430	110	200	368	180	55	110	98	98	3	M12	M16	40	30	105
HBD 2232	290	80	570	480	105	180	370	185	55	96	101	88	3	M12	M16	45	35	100
HBD 3232	290	104	600	490	105	180	395	190	58	130	118	98	3	M16	M20	45	35	115
HBD 3034	260	67	510	420	95	160	330	165	50	82	78	83	3	M10	M12	45	35	60
HBD 3134	280	88	570	470	110	200	395	190	60	120	113	112	3	M12	M20	45	35	115
HBD 2234	310	86	600	510	110	190	400	200	60	104	112.5	97	4	M12	M16	45	35	115
HBD 3234	310	110	640	525	110	200	410	200	62	135	128	103	3	M16	M20	45	35	145
HBD 3036	280	74	540	450	110	170	360	180	52	90	83	88	3	M12	M16	45	35	75
HBD 3136	300	96	600	490	105	200	410	200	60	125	118	116	3	M16	M20	45	35	135
HBD 2236	320	86	640	540	115	200	430	215	65	110	118	102	4	M16	M20	52	42	125
HBD 3236	320	112	680	550	120	210	430	210	65	140	133	108	3	M16	M20	45	35	165
HBD 3038	290	75	570	480	105	180	370	185	55	96	93	88	3	M12	M16	45	35	85
HBD 3138	320	104	680	550	120	210	435	210	65	130	123	120	3	M16	M20	45	30	165
HBD 2238	340	92	640	540	115	200	430	215	65	110	118	102	4	M16	M20	52	42	140
HBD 3238	340	120	710	560	120	220	455	220	75	150	138	113	4	M16	M20	45	35	190
HBD 3040	310	82	600	510	110	190	400	200	60	104	97	97	4	M12	M16	45	35	95
HBD 3140	340	112	710	560	120	220	455	220	85	135	127	127	3	M16	M24	52	42	195
HBD 2240	360	98	680	560	120	210	450	225	70	118	122	107	4	M16	M20	52	42	160
HBD 3240	360	128	780	640	140	240	475	235	75	165	138	118	4	M16	M24	52	42	225

SHAFT	HOUSING	BEARING
Da		
220	HBD 3044	23044
220	HBD 3144	23144
220	HBD 2244	22244
220	HBD 3244	23244
240	HBD 3048	23048
240	HBD 3148	23148
240	HBD 2248	22248
240	HBD 3248	23248
260	HBD 3052	23052
260	HBD 3152	23152
260	HBD 2252	22252
260	HBD 3252	23252
280	HBD 3056	23056
280	HBD 3156	23156
280	HBD 2256	22256
280	HBD 3256	23256
300	HBD 3060	23060
300	HBD 3160	23160
300	HBD 2260	22260
300	HBD 3260	23260



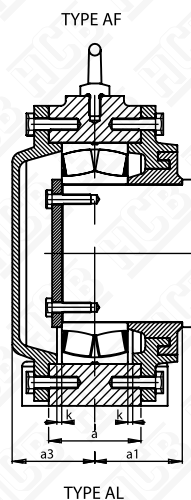
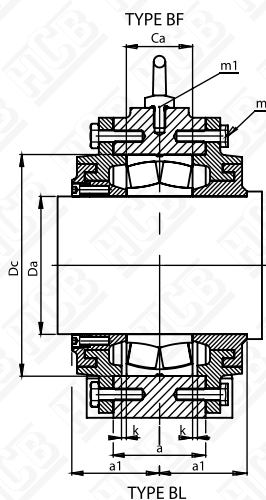
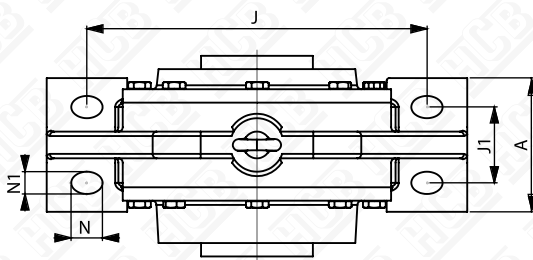
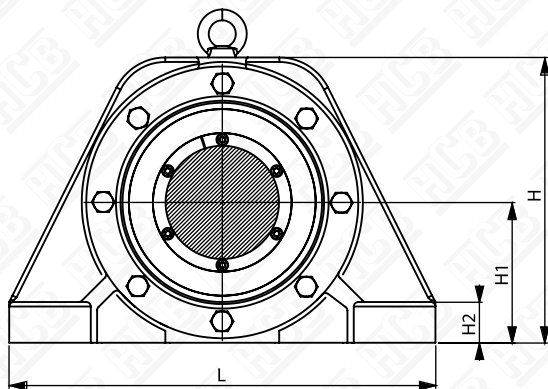
TYPE BF



TYPE AL

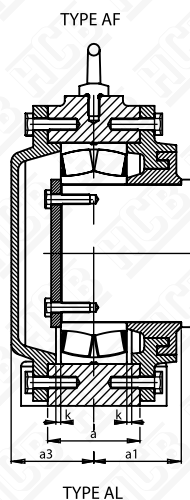
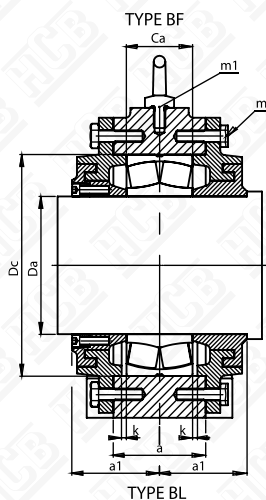
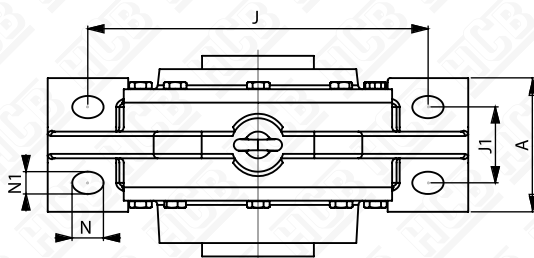
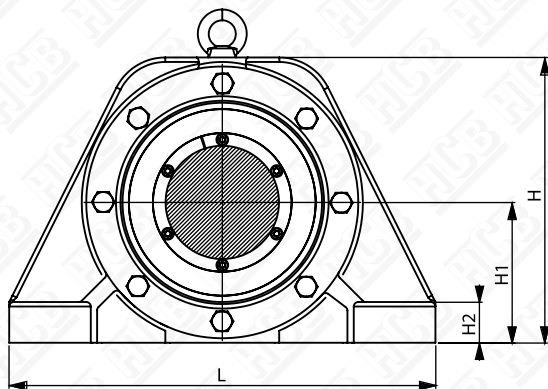
HOUSING	DIMENSIONS																	
	Dc	C _a	L	J	J1	A	H	H ₁	H ₂	a	a1	a3	k	m	m1	N	N ₁	Kg
HBD 3044	340	90	640	540	115	200	430	215	65	110	102	102	4	M16	M20	52	42	120
HBD 3144	370	120	780	640	140	230	485	235	75	150	135	135	4	M16	M24	52	42	225
HBD 2244	400	108	720	600	130	220	500	250	75	128	124.5	117	4	M16	M20	52	42	205
HBD 3244	400	144	850	700	140	250	525	260	80	175	148	133	4	M20	M24	52	42	295
HBD 3048	360	92	680	560	120	210	450	225	70	118	102	107	4	M16	M20	52	42	135
HBD 3148	400	128	890	720	140	250	550	270	80	160	152	142	4	M20	M24	52	42	275
HBD 2248	440	120	820	690	150	250	570	285	85	144	130	132	5	M20	M24	52	42	255
HBD 3248	440	160	900	750	140	250	590	290	90	190	148	148	5	M20	M24	52	42	375
HBD 3052	400	104	720	600	130	220	500	250	75	128	107	117	4	M16	M20	52	42	170
HBD 3152	440	144	900	750	140	250	590	290	90	175	152	152	4	M20	M24	52	42	325
HBD 2252	480	130	860	730	160	260	590	295	90	154	145	137	5	M20	M24	52	42	315
HBD 3252	480	174	960	800	160	290	625	310	95	205	167	158	5	M20	M24	65	42	475
HBD 3056	420	106	760	630	140	240	520	260	80	128	117	122	5	M16	M20	65	42	195
HBD 3156	460	146	900	750	140	250	590	290	90	175	157	165	5	M24	M24	65	42	355
HBD 2256	500	130	900	770	170	270	630	315	95	158	152	147	5	M20	M24	65	42	355
HBD 3256	500	176	1000	840	170	300	645	320	100	210	178	163	5	M24	M30	65	42	535
HBD 3060	460	118	820	690	150	250	570	285	85	144	122	132	5	M20	M24	65	42	235
HBD 3160	500	160	1000	840	170	300	655	320	100	190	162	167	5	M24	M30	65	42	435
HBD 2260	540	140	960	820	180	280	660	330	100	168	160	152	5	M20	M24	65	42	435
HBD 3260	540	192	1100	920	180	330	705	350	105	230	182	187	6	M24	M30	75	56	650

SHAFT	HOUSING	BEARING
Da		
320	HBD 3064	23064
320	HBD 3164	23164
320	HBD 2264	22264
320	HBD 3264	23264
340	HBD 3068	23068
340	HBD 3168	23168
340	HBD 3268	23268
360	HBD 3072	23072
360	HBD 3172	23172
360	HBD 3272	23272
380	HBD 3076	23076
380	HBD 3176	23176
380	HBD 3276	23276
400	HBD 3080	23080
400	HBD 3180	23180
400	HBD 3280	23280
420	HBD 3084	23084
420	HBD 3184	23184
420	HBD 3284	23284



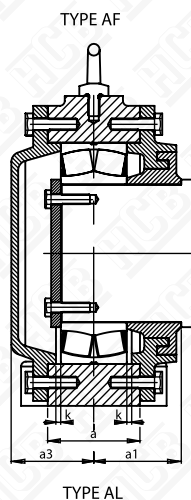
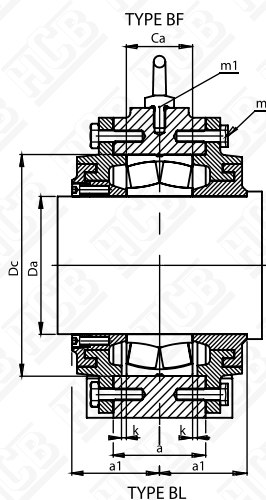
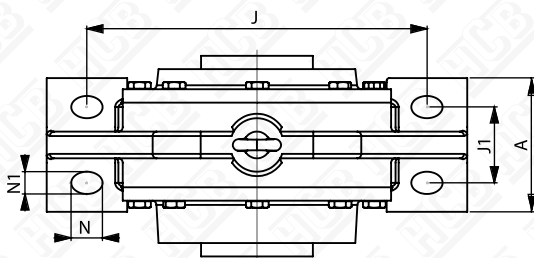
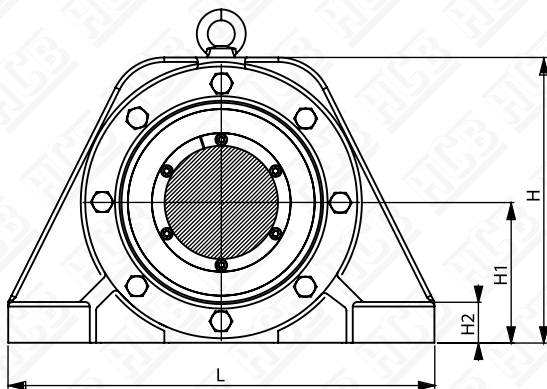
HOUSING	DIMENSIONS																		
	Dc	C _a	L	J	J1	A	H	H ₁	H ₂	a	a1	a3	k	m	m1	N	N ₁	Kg	
HBD 3064	480	121	860	730	160	260	590	295	90	154	122	137	5	M20	M24	65	42	255	
HBD 3164	540	176	1150	940	160	300	702	350	100	210	177	187	5	M24	M30	65	42	535	
HBD 2264	580	150	1060	900	200	320	720	360	110	180	175	167	5	M24	M30	75	56	525	
HBD 3264	580	208	1150	960	200	360	760	370	115	250	192	187	6	M24	M30	75	56	770	
HBD 3068	520	133	900	770	170	270	630	315	95	158	132	147	6	M20	M24	65	42	310	
HBD 3168	580	190	1150	960	200	360	735	370	115	220	197	237	6	M24	M30	75	56	640	
HBD 3268	620	224	1200	980	200	380	810	390	125	265	202	237	6	M24	M36	75	60	910	
HBD 3072	540	134	960	820	180	280	660	330	100	168	132	152	6	M20	M24	65	42	345	
HBD 3172	600	192	1200	1000	200	370	760	380	115	225	197	243	6	M24	M30	75	56	710	
HBD 3272	650	232	1280	1040	210	400	825	410	130	275	227	247	7	M24	M36	80	68	1030	
HBD 3076	560	135	1000	840	190	300	680	340	105	168	137	157	6	M20	M24	75	56	385	
HBD 3176	620	194	1200	1000	200	380	790	390	125	230	202	254	6	M30	M30	75	60	780	
HBD 3276	680	240	1350	1100	225	405	880	425	135	295	232	257	7	M30	M36	85	68	1150	
HBD 3080	600	148	1060	900	200	320	720	360	110	180	142	167	6	M24	M30	75	56	460	
HBD 3180	650	200	1280	1040	210	400	845	410	130	235	197	247	7	M30	M36	80	68	880	
HBD 3280	720	256	1430	1160	240	450	905	450	145	300	242	257	7	M30	M36	85	68	1340	
HBD 3084	620	150	1100	940	210	340	750	375	115	180	147	167	6	M24	M30	75	56	510	
HBD 3184	700	224	1350	1100	210	420	900	450	135	260	212	257	7	M30	M36	85	68	1090	
HBD 3284	760	272	1500	1220	255	470	955	470	150	315	252	267	8	M30	M36	90	72	1625	

SHAFT	HOUSING	BEARING
Da		
60	HBD 2213	22213 K
80	HBD 2218	22218 K
90	HBD 2220	22220 K
100	HBD 2222	22222 K
100	HBD 3122	23122K
100	HBD 3222	23222 K
110	HBD 3024	23024 K
110	HBD 3124	23124 K
110	HBD 2224	22224 K
110	HBD 3224	23224 K
115	HBD 3026	23026 K
115	HBD 3126	23126 K
115	HBD 2226	22226 K
115	HBD 3226	23226 K
125	HBD 3028	23028 K
125	HBD 3128	23128 K
125	HBD 2228	22228 K
125	HBD 3228	23228 K
135	HBD 3030	23030 K
135	HBD 3130	23130 K
135	HBD 2230	22230 K
135	HBD 3230	23230 K



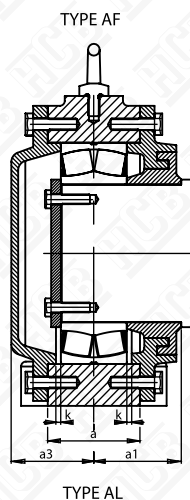
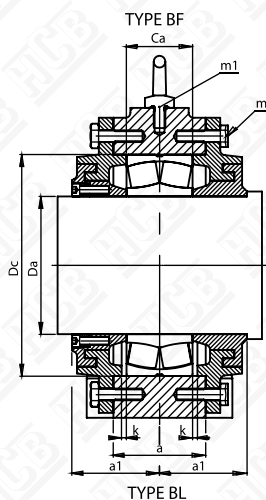
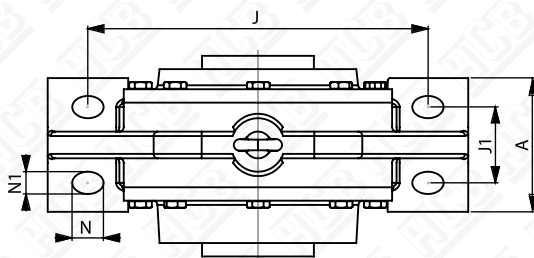
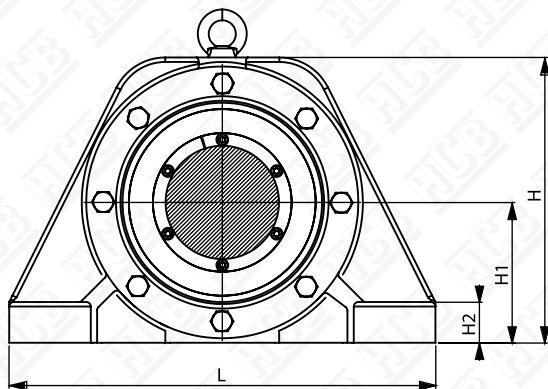
HOUSING	DIMENSIONS																				
	Dc	C _a	L	J	J1	A	H	H ₁	H ₂	a	a1	a2	a3	k	s	G	m	m1	N	N ₁	Kg
HBD 2213	120	31	280	220	50	95	165	80	25	58	50	65	45	2	6	32	M8	-	35	19	10
HBD 2218	160	40	370	290	60	110	220	110	38	55	60	70	51	2	5	40	M8	M10	35	24	25
HBD 2220	180	46	370	300	60	110	230	115	35	56	70	85	63	2	11	45	M8	M12	35	24	30
HBD 2222	200	53	410	340	80	150	270	130	40	80	81	102	83	2	25	52	M12	M12	35	25	50
HBD 3122	180	56	400	300	60	120	260	130	38	64	78	90	68	2	11	50	M8	M12	35	24	45
HBD 3222	200	69.8	440	350	70	130	285	140	42	90	91	103	76	2	9	60	M12	M16	35	28	55
HBD 3024	180	46	370	300	60	110	230	115	35	56	63	83	63	2	8	48	M8	M12	35	24	25
HBD 3124	200	62	410	330	80	140	285	140	40	85	76	93	78	2	13	56	M12	M12	35	25	55
HBD 2224	215	58	430	360	70	130	275	140	40	70	80.5	95.5	68	3	6	55	M8	M12	35	28	50
HBD 3224	215	76	470	370	75	140	305	150	42	95	93	108	78	2	7	64	M12	M16	35	30	60
HBD 3026	200	52	410	340	60	120	260	130	38	64	68	88	68	2	9	52	M8	M12	35	24	35
HBD 3126	210	64	430	350	80	140	295	145	40	90	80	100	80	2	15	58	M12	M12	35	25	60
HBD 2226	230	64	455	370	80	140	290	145	42	76	88	98	70	3	5	57	M10	M12	35	28	60
HBD 3226	230	80	500	400	85	150	325	160	45	100	103	108	78	2	5	66	M12	M16	40	30	70
HBD 3028	210	53	430	360	70	130	275	140	40	70	68	88	68	3	7	54	M8	M12	35	28	40
HBD 3128	225	68	470	380	85	150	315	155	45	95	85	110	85	2	16	62	M12	M12	35	25	70
HBD 2228	250	68	510	420	95	160	330	165	50	82	94	104	83	3	13	62	M10	M12	45	35	75
HBD 3228	250	88	530	430	85	160	350	170	50	110	108	118	88	3	9	72	M16	M20	40	30	85
HBD 3030	225	56	455	370	80	140	290	145	42	76	73	94	70	3	6	56	M10	M12	35	28	45
HBD 3130	250	80	580	450	110	200	345	170	60	102	93	113	93	3	15	70	M12	M16	45	35	90
HBD 2230	270	73	540	450	100	170	360	180	52	90	98	108	88	3	14	66	M12	M16	45	35	85
HBD 3230	270	96	550	450	90	170	375	180	54	120	113	123	93	3	7	78	M16	M20	45	35	100

SHAFT	HOUSING	BEARING
Da		
140	HBD 3032	23032 K
140	HBD 3132	23132 K
140	HBD 2232	22232 K
140	HBD 3232	23232 K
150	HBD 3034	23034 K
150	HBD 3134	23134 K
150	HBD 2234	22234 K
150	HBD 3234	23234 K
160	HBD 3036	23036 K
160	HBD 3136	23136 K
160	HBD 2236	22236 K
160	HBD 3236	23236 K
170	HBD 3038	23038 K
170	HBD 3138	23138 K
170	HBD 2238	22238 K
170	HBD 3238	23238 K
180	HBD 3040	23040 K
180	HBD 3140	23140 K
180	HBD 2240	22240 K
180	HBD 3240	23240 K



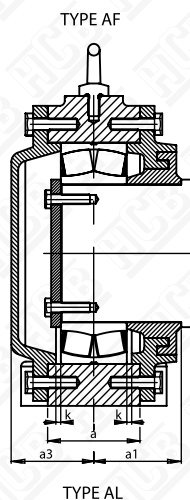
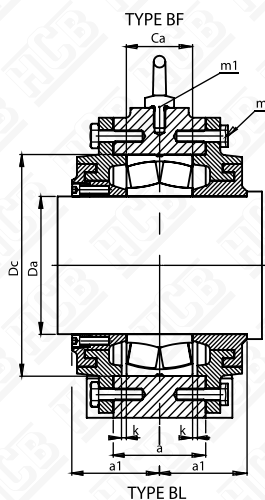
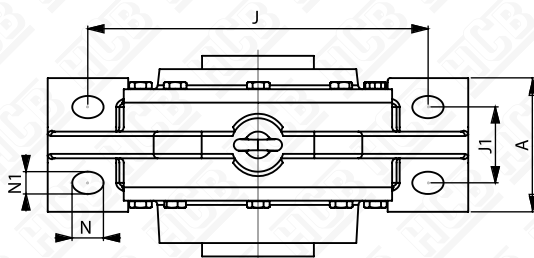
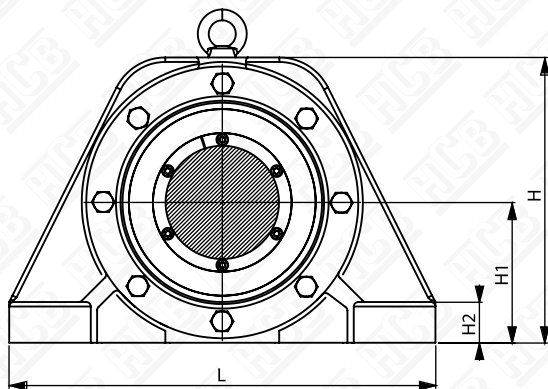
HOUSING	DIMENSIONS																				
	Dc	C _a	L	J	J1	A	H	H ₁	H ₂	a	a1	a2	a3	k	s	G	m	m1	N	N ₁	Kg
HBD 3032	240	60	480	390	90	150	310	155	45	76	78	98	76	3	6	62	M10	M12	35	28	45
HBD 3132	270	86	540	430	110	200	368	180	55	110	98	123	98	3	15	75	M12	M16	40	30	105
HBD 2232	290	80	570	480	105	180	370	185	55	96	101	116	88	3	8	72	M12	M16	45	35	100
HBD 3232	290	104	600	490	105	180	395	190	58	130	118	133	98	3	6	84	M16	M20	45	35	115
HBD 3034	260	67	510	420	95	160	330	165	50	82	78	103	83	3	9	66	M10	M12	45	35	60
HBD 3134	280	88	570	470	110	200	395	190	60	120	113	136	112	3	26	78	M12	M20	45	35	115
HBD 2234	310	86	600	510	110	190	400	200	60	104	112.5	127.5	97	4	14	75	M12	M16	45	35	115
HBD 3234	310	110	640	525	110	200	410	200	62	135	128	143	103	3	7	88	M16	M20	45	35	145
HBD 3036	280	74	540	450	110	170	360	180	52	90	83	108	88	3	10	70	M12	M16	45	35	75
HBD 3136	300	96	600	490	105	200	410	200	60	125	118	138	116	3	26	82	M16	M20	45	35	135
HBD 2236	320	86	640	540	115	200	430	215	65	110	118	133	102	4	14	78	M16	M20	52	42	125
HBD 3236	320	112	680	550	120	210	430	210	65	140	133	148	108	3	10	90	M16	M20	45	35	165
HBD 3038	290	75	570	480	105	180	370	185	55	96	93	118	88	3	8	72	M12	M16	45	35	85
HBD 3138	320	104	680	550	120	210	435	210	65	130	123	143	120	3	22	88	M16	M20	45	30	165
HBD 2238	340	92	640	540	115	200	430	215	65	110	118	133	102	4	10	82	M16	M20	52	42	140
HBD 3238	340	120	710	560	120	220	455	220	75	150	138	153	113	4	10	95	M16	M20	45	35	190
HBD 3040	310	82	600	510	110	190	400	200	60	104	97	122	97	4	11	78	M12	M16	45	35	95
HBD 3140	340	112	710	560	120	220	455	220	85	135	127	147	127	3	22	95	M16	M24	52	42	195
HBD 2240	360	98	680	560	120	210	450	225	70	118	122	134.5	107	4	12	85	M16	M20	52	42	160
HBD 3240	360	128	780	640	140	240	475	235	75	165	138	158	118	4	10	100	M16	M24	52	42	225

SHAFT	HOUSING	BEARING
Da		
200	HBD 3044	23044 K
200	HBD 3144	23144 K
200	HBD 2244	22244 K
200	HBD 3244	23244 K
220	HBD 3048	23048 K
220	HBD 3148	23148 K
220	HBD 2248	22248K
220	HBD 3248	23248 K
240	HBD 3052	23052 K
240	HBD 3152	23152 K
240	HBD 2252	22252 K
240	HBD 3252	23252 K
260	HBD 3056	23056 K
260	HBD 3156	23156 K
260	HBD 2256	22256K
260	HBD 3256	23256 K
280	HBD 3060	23060 K
280	HBD 3160	23160 K
280	HBD 2260	22260 K
280	HBD 3260	23260 K



HOUSING	DIMENSIONS																				
	Dc	C _a	L	J	J1	A	H	H ₁	H ₂	a	a1	a2	a3	k	s	G	m	m1	N	N ₁	Kg
HBD 3044	340	90	640	540	115	200	430	215	65	110	102	137	102	4	12	80	M16	M20	52	42	120
HBD 3144	370	120	780	640	140	230	485	235	75	150	135	160	135	4	25	100	M16	M24	52	42	225
HBD 2244	400	108	720	600	130	220	500	250	75	128	124.5	159.5	117	4	10	95	M16	M20	52	42	205
HBD 3244	400	144	850	700	140	250	525	260	80	175	148	183	133	4	11	112	M20	M24	52	42	295
HBD 3048	360	92	680	560	120	210	450	225	70	118	102	142	107	4	12	85	M16	M20	52	42	135
HBD 3148	400	128	890	720	140	250	550	270	80	160	152	182	142	4	26	106	M20	M24	52	42	275
HBD 2248	440	120	820	690	150	250	570	285	85	144	130	165	132	5	15	105	M20	M24	52	42	255
HBD 3248	440	160	900	750	140	250	590	290	90	190	148	188	148	5	16	122	M20	M24	52	42	375
HBD 3052	400	104	720	600	130	220	500	250	75	128	107	147	117	4	13	92	M16	M20	52	42	170
HBD 3152	440	144	900	750	140	250	590	290	90	175	152	187	152	4	24	118	M20	M24	52	42	325
HBD 2252	480	130	860	730	160	260	590	295	90	154	145	182.5	137	5	13	110	M20	M24	52	42	315
HBD 3252	480	174	960	800	160	290	625	310	95	205	167	208	158	5	16	132	M20	M24	65	42	475
HBD 3056	420	106	760	630	140	240	520	260	80	128	117	157	122	5	14	96	M16	M20	65	42	195
HBD 3156	460	146	900	750	140	250	590	290	90	175	157	197	165	5	35	120	M24	M24	65	42	355
HBD 2256	500	130	900	770	170	270	630	315	95	158	152	192	147	5	18	115	M20	M24	65	42	355
HBD 3256	500	176	1000	840	170	300	645	320	100	210	178	218	163	5	16	135	M24	M30	65	42	535
HBD 3060	460	118	820	690	150	250	570	285	85	144	122	167	132	5	15	105	M20	M24	65	42	235
HBD 3160	500	160	1000	840	170	300	655	320	100	190	162	207	167	5	32	125	M24	M30	65	42	435
HBD 2260	540	140	960	820	180	280	660	330	100	168	160	191	152	5	17	120	M20	M24	65	42	435
HBD 3260	540	192	1100	920	180	330	705	350	105	230	182	222	187	6	33	142	M24	M30	75	56	650

SHAFT	HOUSING	BEARING
Da		
300	HBD 3064	23064 K
300	HBD 3164	23164 K
300	HBD 2264	22264 K
300	HBD 3264	23264 K
320	HBD 3068	23068 K
320	HBD 3168	23168 K
320	HBD 3268	23268 K
340	HBD 3072	23072 K
340	HBD 3172	23172 K
340	HBD 3272	23272 K
360	HBD 3076	23076 K
360	HBD 3176	23176 K
360	HBD 3276	23276 K
380	HBD 3080	23080 K
380	HBD 3180	23180 K
380	HBD 3280	23280 K
400	HBD 3084	23084 K
400	HBD 3184	23184 K
400	HBD 3284	23284 K



HOUSING	DIMENSIONS																				
	Dc	C _a	L	J	J1	A	H	H ₁	H ₂	a	a1	a2	a3	k	s	G	m	m1	N	N ₁	Kg
HBD 3064	480	121	860	730	160	260	590	295	90	154	122	172	137	5	15	108	M20	M24	65	42	255
HBD 3164	540	176	1150	940	160	300	702	350	100	210	177	212	187	5	40	135	M24	M30	65	42	535
HBD 2264	580	150	1060	900	200	320	720	360	110	180	175	202	167	5	26	125	M24	M30	75	56	525
HBD 3264	580	208	1150	960	200	360	760	370	115	250	192	237	187	6	21	152	M24	M30	75	56	770
HBD 3068	520	133	900	770	170	270	630	315	95	158	132	177	147	6	13	120	M20	M24	65	42	310
HBD 3168	580	190	1150	960	200	360	735	370	115	220	197	242	237	6	70	155	M24	M30	75	56	640
HBD 3268	620	224	1200	980	200	380	810	390	125	265	202	272	237	6	47	175	M24	M36	75	60	910
HBD 3072	540	134	960	820	180	280	660	330	100	168	132	182	152	6	17	120	M20	M24	65	42	345
HBD 3172	600	192	1200	1000	200	370	760	380	115	225	197	247	243	6	67	160	M24	M30	75	56	710
HBD 3272	650	232	1280	1040	210	400	825	410	130	275	227	282	247	7	51	180	M24	M36	80	68	1030
HBD 3076	560	135	1000	840	190	300	680	340	105	168	137	187	157	6	17	124	M20	M24	75	56	385
HBD 3176	620	194	1200	1000	200	380	790	390	125	230	202	257	254	6	73	165	M30	M30	75	60	780
HBD 3276	680	240	1350	1100	225	405	880	425	135	295	232	297	257	7	55	186	M30	M36	85	68	1150
HBD 3080	600	148	1060	900	200	320	720	360	110	180	142	202	167	6	17	134	M24	M30	75	56	460
HBD 3180	650	200	1280	1040	210	400	845	410	130	235	197	262	247	7	61	170	M30	M36	80	68	880
HBD 3280	720	256	1430	1160	240	450	905	450	145	300	242	307	257	7	45	196	M30	M36	85	68	1340
HBD 3084	620	150	1100	940	210	340	750	375	115	180	147	202	167	6	16	135	M24	M30	75	56	510
HBD 3184	700	224	1350	1100	210	420	900	450	135	260	212	289	257	7	51	190	M30	M36	85	68	1090
HBD 3284	760	272	1500	1220	255	470	955	470	150	315	252	317	267	8	39	212	M30	M36	90	72	1625

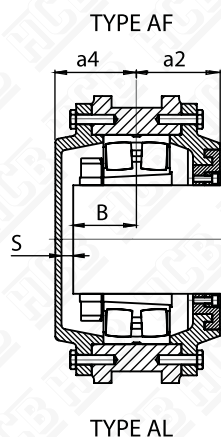
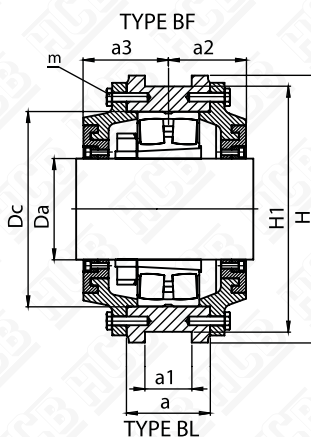
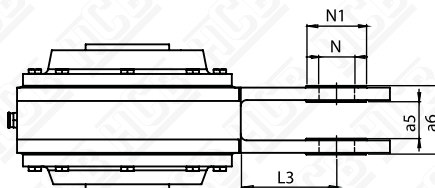
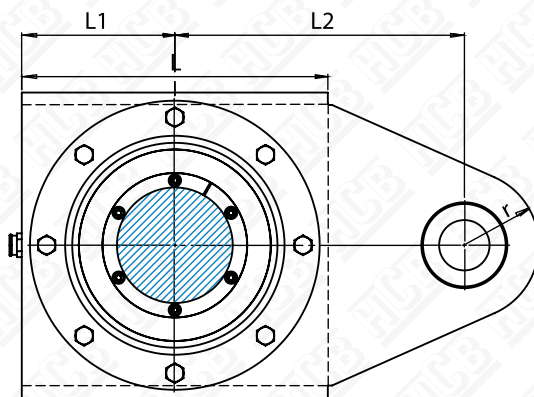


HPA series



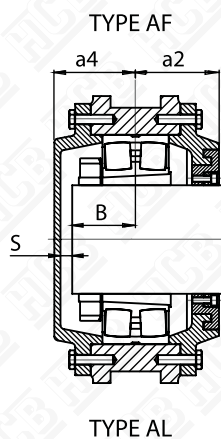
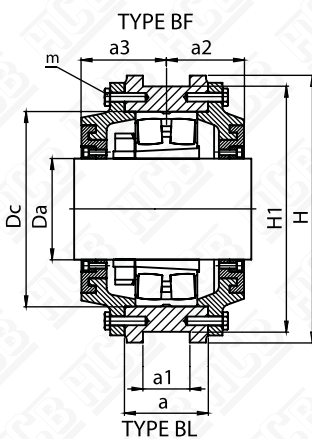
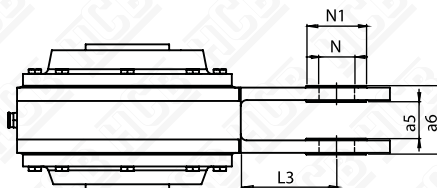
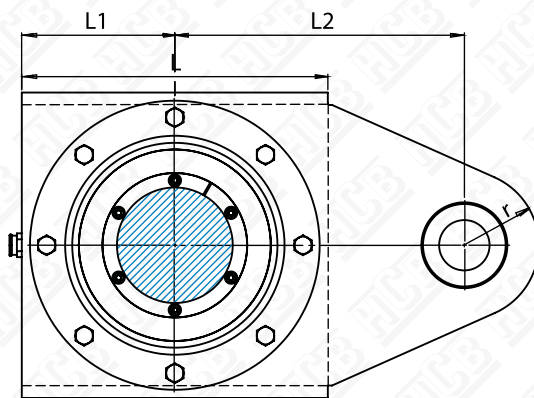


SHAFT	HOUSING	BEARING
Da		
50	HPA 2211	22211 K
55	HPA 2212	22212 K
60	HPA 2213	22213 K
70	HPA 2216	22216 K
80	HPA 2218	22218 K
90	HPA 2220	22220 K
100	HPA 2222	22222 K
100	HPA 3222	23222 K
110	HPA 2224	22224 K
110	HPA 3224	23224 K
115	HPA 3226	23226 K
125	HPA 2228	22228 K
125	HPA 3228	23228 K
135	HPA 3030	23030 K
135	HPA 3230	23230 K
140	HPA 3132	23132 K
140	HPA 3232	23232 K
150	HPA 3034	23034 K
150	HPA 3134	23134 K
160	HPA 3136	23136 K
160	HPA 3236	23236 K
170	HPA 3038	23038 K
170	HPA 3138	23138 K



HOUSING	DIMENSIONS																				
	Dc	H	H ₁	L	L1	L2	L3	r	a	a1	a2	a3	a4	a5	a6	S	B	m	N	N ₁	Kg
HPA 2211	100	150	135	150	75	105	30	30	60	34	49	55	38	22	42	5	27	M8	20	40	10
HPA 2212	110	165	150	165	83	120	38	35	66	43	50	60	41	26	50	5	30	M8	25	50	12
HPA 2213	120	180	155	160	80	145	65	40	78	53	50	63	53	30	66	11	35	M8	30	60	15
HPA 2216	140	200	175	180	90	155	65	40	78	53	62	70	49	30	66	6	36	M8	30	60	25
HPA 2218	160	230	200	210	105	170	65	40	78	53	67	83	63	30	66	16	40	M8	30	60	30
HPA 2220	180	250	220	235	118	185	68	40	69	40	76	92	70	36	70	18	45	M8	35	70	35
HPA 2222	200	270	240	255	125	200	70	45	78	53	85	97	75	40	76	18	50	M8	40	75	45
HPA 3222	180	300	270	270	135	195	60	60	90	53	91	103	76	44	100	9	60	M12	50	95	70
HPA 2224	215	290	260	275	135	210	70	45	78	53	84	99	72	40	76	10	55	M8	40	75	50
HPA 3224	215	310	280	290	145	205	60	60	95	53	93	108	78	44	100	7	64	M12	50	95	75
HPA 3226	230	335	305	300	155	220	75	70	100	63	103	108	79	52	112	5	66	M12	60	110	80
HPA 2228	250	330	300	315	155	230	70	45	83	53	80	102	90	40	74	20	62	M12	40	70	60
HPA 3228	250	360	330	330	170	235	75	70	110	63	108	118	88	52	112	8	72	M16	60	90	100
HPA 3030	225	320	290	280	140	235	90	70	85	45	78	99	75	60	100	10	56	M10	50	95	50
HPA 3230	270	385	355	360	180	260	80	80	120	73	113	123	93	62	126	7	78	M16	70	120	120
HPA 3132	270	370	340	370	185	350	160	90	116	74	101	126	101	62	132	18	75	M12	61	110	140
HPA 3232	290	400	370	380	190	270	80	80	130	83	118	133	98	62	126	6	84	M16	70	120	145
HPA 3034	260	360	330	325	165	255	90	70	102	63	88	113	93	52	112	20	66	M10	45	100	80
HPA 3134	280	380	350	375	190	395	160	80	120	63	113	136	100	62	122	17	78	M12	60	160	160
HPA 3136	300	440	410	400	200	360	85	100	120	60	116	136	114	64	130	24	82	M16	80	140	170
HPA 3236	320	450	410	420	210	300	90	90	140	93	133	148	108	72	140	10	90	M16	80	140	170
HPA 3038	290	390	360	380	195	350	130	70	112	73	101	126	96	90	165	16	72	M12	45	120	140
HPA 3138	320	450	410	420	210	300	90	90	140	93	128	148	108	72	140	12	88	M16	80	140	170

SHAFT	HOUSING	BEARING
Da		
180	HPA 3040	23040 K
180	HPA 3140	23140 K
180	HPA 3240	23240 K
200	HPA 3044	23044 K
200	HPA 3144	23144 K
200	HPA 3244	23244 K
220	HPA 3148	23148 K
220	HPA 3248	23248 K
240	HPA 3052	23052 K
240	HPA 3152	23152 K
240	HPA 3252	23252 K
260	HPA 3256	23256 K
280	HPA 3160	23160 K
280	HPA 3260	23260 K
300	HPA 3164	23164 K
300	HPA 3264	23264 K
320	HPA 3168	23168 K
320	HPA 3268	23268 K
340	HPA 3272	23272 K
360	HPA 3176	23176 K
360	HPA 3276	23276 K
380	HPA 3280	23280 K
400	HPA 3284	23284 K

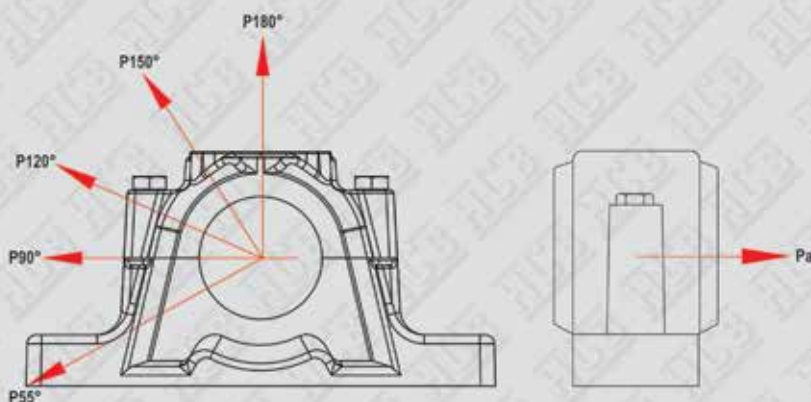


HOUSING	DIMENSIONS																				
	Dc	H	H ₁	L	L1	L2	L3	r	a	a1	a2	a3	a4	a5	a6	S	B	m	N	N ₁	Kg
HPA 3040	310	430	400	390	200	275	85	80	125	83	107	133	108	62	125	22	78	M12	70	120	165
HPA 3140	340	440	420	440	220	300	80	80	138	90	115	149	120	62	128	15	95	M16	60	110	180
HPA 3240	360	500	460	470	235	325	90	90	165	103	138	158	118	72	140	10	100	M16	80	140	275
HPA 3044	340	480	440	430	210	325	100	80	120	65	107	142	107	70	145	17	80	M16	60	100	210
HPA 3144	370	510	480	470	235	530	260	120	150	103	135	160	135	74	144	25	100	M16	100	175	250
HPA 3244	400	540	500	520	260	575	245	150	175	103	148	183	133	173	240	11	112	M20	100	175	390
HPA 3148	400	540	500	520	260	515	250	150	152	65	148	178	138	123	215	22	106	M20	100	250	350
HPA 3248	440	580	540	560	280	600	250	150	190	103	148	188	148	173	240	16	122	M20	100	175	475
HPA 3052	400	540	500	500	245	515	260	150	135	65	111	151	121	123	215	17	92	M16	100	250	275
HPA 3152	440	570	540	550	275	565	270	150	175	80	152	187	152	135	225	24	118	M20	100	250	450
HPA 3252	480	610	570	590	305	615	220	150	205	103	167	208	158	173	240	16	132	M20	100	200	550
HPA 3256	500	650	610	630	315	630	220	150	210	123	178	218	163	173	240	16	135	M24	100	175	600
HPA 3160	500	650	610	625	312	630	250	150	195	103	165	210	170	173	240	35	125	M24	100	240	575
HPA 3260	540	670	630	670	335	650	220	150	230	123	182	222	187	173	240	33	142	M24	100	175	700
HPA 3164	540	670	630	665	340	650	230	150	210	123	177	212	187	170	240	40	135	M24	100	175	680
HPA 3264	580	710	670	710	355	725	275	200	250	123	192	237	187	213	300	21	152	M24	110	185	830
HPA 3168	580	740	700	740	370	720	310	200	220	150	197	242	237	180	300	70	155	M24	120	240	800
HPA 3268	620	750	700	750	375	750	285	200	265	123	202	272	237	213	300	47	175	M24	110	185	950
HPA 3272	650	790	740	790	395	765	275	200	275	123	227	282	247	213	300	51	180	M24	110	185	1100
HPA 3176	620	790	740	750	375	750	320	200	230	120	202	257	254	200	300	73	165	M30	110	230	950
HPA 3276	680	820	780	810	420	780	310	200	295	123	232	297	257	213	300	55	186	M30	110	230	1250
HPA 3280	720	870	820	870	435	800	270	200	300	123	242	307	257	213	300	45	196	M30	110	185	1500
HPA 3284	760	925	860	925	463	825	262	200	315	123	252	317	267	213	300	39	212	M30	110	185	1950

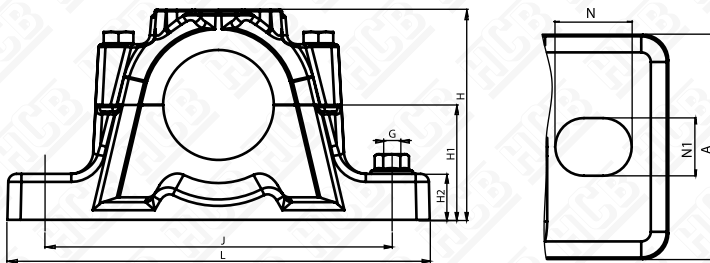


SNH 200-300

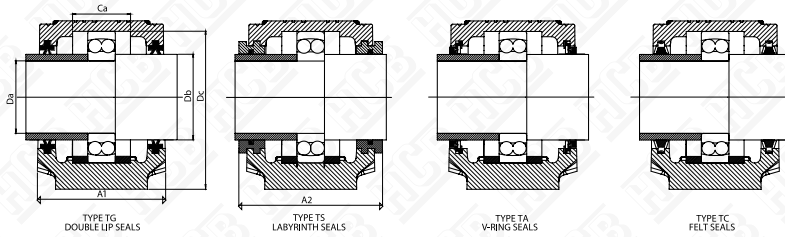




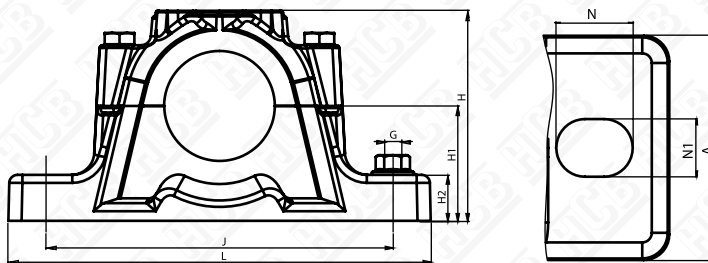
Housing		Breaking loads				
Size	P _{55°}	P _{90°}	P _{120°}	P _{150°}	P _{180°}	P _a
-	kN	kN	kN	kN	kN	kN
SNH 205	155	95	70	60	80	52
SNH 206-305	170	100	80	65	85	55
SNH 207-306	190	115	85	80	95	60
SNH 208-307	215	130	95	85	110	70
SNH 209	230	140	100	90	115	75
SNH 210-308	265	155	120	110	130	85
SNH 211-309	275	170	125	115	140	90
SNH 212-310	300	180	130	120	150	100
SNH 213-311	340	205	150	130	170	110
SNH 215-312	410	250	185	160	205	135
SNH 216-313	430	260	190	175	215	140
SNH 217	480	290	205	190	240	155
SNH 218-315	550	340	250	215	275	180
SNH 219-316	580	350	260	230	290	190
SNH 220-317	620	370	280	250	310	200
SNH 222-319	680	410	310	275	340	220
SNH 224-320	790	470	350	320	400	260
SNH 226	900	540	410	360	450	295
SNH 228	1050	630	470	430	530	345
SNH 230	1200	730	540	480	600	390
SNH 232	1450	860	640	570	720	470



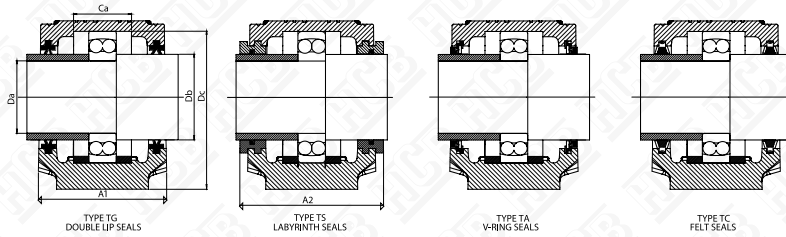
SHAFT		HOUSING	HOUSING WITHOUT SEALS	BEARING	LOCATING RING	END COVER	SEALS
Da	Db						
25	30	SNH 205	SNH 205	1205	2 frb 5/52	ASNH 205	TSN 205 G
				2205	2 frb 3.5/52		-
				22205	2 frb 3.5/52		-
				-	-		-
	30	SNH 305	SNH 206-305	1305	2 frb 7.5/62	ASNH 305	TSN 305 G
				2305	2 frb 4/62		-
				21305	2 frb 7.5/62		-
				-	-		-
30	35	SNH 206	SNH 206-305	1206	2 frb 8/62	ASNH 206	TSN 206 G
				2206	2 frb 6/62		-
				22206	2 frb 6/62		-
				-	-		-
	35	SNH 306	SNH 207-306	1306	2 frb 7.5/72	ASNH 306	TSN 306 G
				2306	2 frb 3.5/62		-
				21306	2 frb 7.5/62		-
				-	-		-
35	45	SNH 207	SNH 207-306	1207	2 frb 8.5/72	ASNH 207	TSN 207 G
				2207	2 frb 5.5/72		-
				22207	2 frb 5.5/72		-
				-	-		-
	45	SNH 307	SNH 208-307	1307	2 frb 9/80	ASNH 307	TSN 307 G
				2307	2 frb 4/80		-
				21307	2 frb 9/80		-
				-	-		-
40	50	SNH 208	SNH 208-307	1208	2 frb 10.5/80	ASNH 208	TSN 208 G
				2208	2 frb 8/80		-
				22208	2 frb 8/80		-
				-	-		-
	50	SNH 308	SNH 210-308	1308	2 frb 9/90	ASNH 308	TSN 308 G
				2308	2 frb 4/90		TSN 308 A
				21308	2 frb 9/90		-
				22308	2 frb 4/90		-



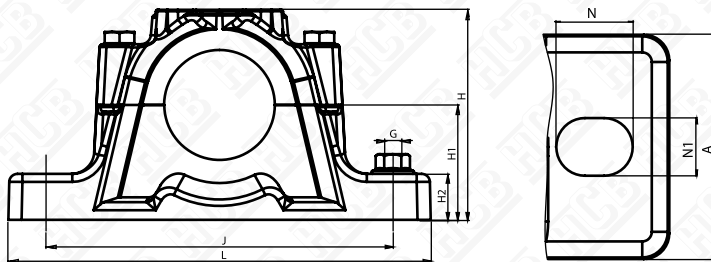
HOUSING	DIMENSIONS													
	Dc	C _a	L	J	H	H ₁	H ₂	A	A ₁	A ₂	N	N ₁	G	Kg
SNH 205	52	25	165	130	74	40	19	46	67	90	20	15	12	1,5
SNH 305	62	32	185	150	89	50	22	52	77	89	20	15	12	2,2
SNH 206	62	32	185	150	89	50	22	52	77	89	20	15	12	2,2
SNH 306	72	34	185	150	93	50	22	52	82	94	20	15	12	2,4
SNH 207	72	34	185	150	93	50	22	52	82	94	20	15	12	2,4
SNH 307	80	39	205	170	107	60	25	60	85	97	20	15	12	3,1
SNH 208	80	39	205	170	107	60	25	60	85	97	20	15	12	3,1
SNH 308	90	41	205	170	113	60	25	60	90	102	20	15	12	3,8



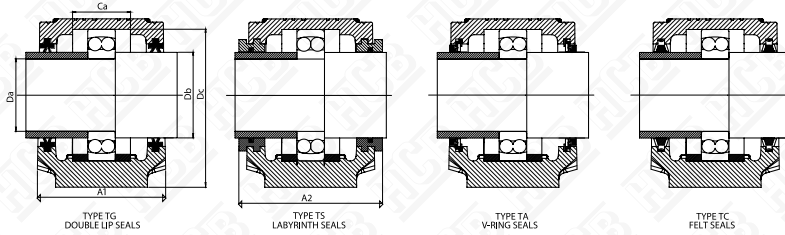
SHAFT		HOUSING	HOUSING WITHOUT SEALS	BEARING	LOCATING RING	END COVER	SEALS
Da	Db						
45	55	SNH 209	SNH 209	1209	2 frb 5.5/85	ASNH 209	TSN 209 G
				2209	2 frb 3.5/85		TSN 209 A
				22209	2 frb 3.5/85		-
				-	-		TSN 209 S
		SNH 309	SNH 211-309	1309	2 frb 9.5/100	ASNH 309	TSN 309 G
				2309	2 frb 4/100		TSN 309 A
				21309	2 frb 9.5/100		-
				22309	2 frb 4/100		-
50	60	SNH 210	SNH 210-308	1210	2 frb 10.5/90	ASNH 210	TSN 210 G
				2210	2 frb 9/90		TSN 210 A
				22210	2 frb 9/90		-
				-	-		TSN 210 S
		SNH 310	SNH 212-310	1310	2 frb 10.5/110	ASNH 310	TSN 310 G
				2310	2 frb 4/110		TSN 310 A
				21310	2 frb 10.5/110		-
				22310	2 frb 4/110		-
55	65	SNH 211	SNH 211-309	1211	2 frb 11.5/100	ASNH 211	TSN 211 G
				2211	2 frb 9.5/100		TSN 211 A
				22211	2 frb 9.5/100		-
				-	-		TSN 211 S
		SNH 311	SNH 213-311	1311	2 frb 11/120	ASNH 311	TSN 311 G
				2311	2 frb 4/120		TSN 311 A
				21311	2 frb 11/120		-
				22311	2 frb 4/120		-
60	70	SNH 212	SNH 212-310	1212	2 frb 13/110	ASNH 212	TSN 212 G
				2212	2 frb 10/110		TSN 212 A
				22212	2 frb 10/110		-
				-	-		TSN 212 S
		SNH 312	SNH 215-312	1312	2 frb 12.5/130	ASNH 312	TSN 312 G
				2312	2 frb 5/130		TSN 312 A
				21312	2 frb 12.5/130		-
				22312	2 frb 5/130		TSN 312 S



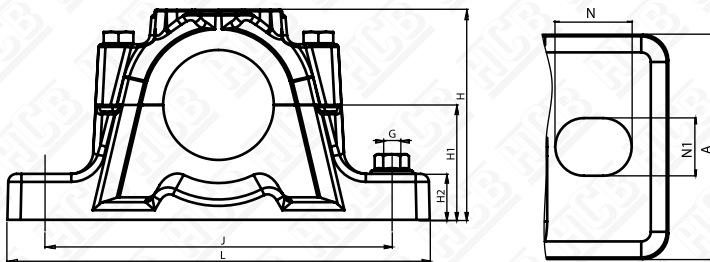
HOUSING	DIMENSIONS													
	Dc	C _a	L	J	H	H ₁	H ₂	A	A ₁	A ₂	N	N ₁	G	Kg
SNH 209	85	30	205	170	109	60	25	60	85	97	20	15	12	3,4
SNH 309	100	44	255	210	127	70	28	70	95	107	24	18	16	5,4
SNH 210	90	41	205	170	113	60	25	60	90	102	20	15	12	3,8
SNH 310	110	48	255	210	133	70	30	70	105	117	24	18	16	5,8
SNH 211	100	44	255	210	127	70	28	70	95	107	24	18	12	5,3
SNH 311	120	51	275	230	148	80	30	80	110	122	24	18	16	7,4
SNH 212	110	48	255	210	133	70	30	70	105	117	24	18	16	5,7
SNH 312	130	56	280	230	154	80	30	80	115	127	24	18	16	8,2



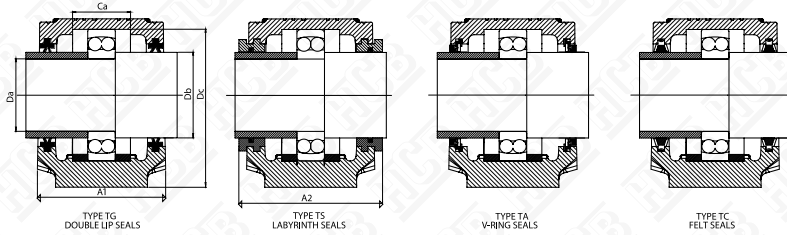
SHAFT		HOUSING	HOUSING WITHOUT SEALS	BEARING	LOCATING RING	END COVER	SEALS
Da	Db						
65	75	SNH 213	SNH 213-311	1213	2 frb 14/120	ASNH 213	TSN 213 G
				2213	2 frb 10/120		TSN 213 A
				22213	2 frb 10/120		-
				-	-		TSN 213 S
	SNH 313	SNH 216-313	1313	2 frb 12.5/140	ASNH 313	TSN 313 G	
			2313	2 frb 5/140		TSN 313 A	
			21313	2 frb 12.5/140		-	
			22313	2 frb 5/140		TSN 313 S	
70	80	SNH 314	SNH 217-314	1314	2 frb 13/150	ASNH 314	TSN 314 G
				2314	2 frb 5/150		-
				21314	2 frb 13/150		-
				22314	2 frb 5/150		TSN 314 S
75	85	SNH 215	SNH 215-312	1215	2 frb 15.5/130	ASNH 215	TSN 215 G
				2215	2 frb 12.5/130		TSN 215 A
				22215	2 frb 12.5/130		-
				-	-		TSN 215 S
	SNH 315	SNH 218-315	1315	2 frb 14/160	ASNH 315	TSN 315 G	
			2315	2 frb 5/160		TSN 315 A	
			21315	2 frb 14/160		-	
			22315	2 frb 5/160		TSN 315 S	
80	90	SNH 216	SNH 216-313	1216	2 frb 16/140	ASNH 216	TSN 216 G
				2216	2 frb 12.5/140		TSN 216 A
				22216	2 frb 12.5/140		-
				-	-		TSN 316 S
	SNH 316	SNH 219-316	1316	2 frb 14.5/170	ASNH 316	TSN 316 G	
			2316	2 frb 5/170		TSN 316 A	
			21316	2 frb 14.5/170		-	
			22316	2 frb 5/170		TSN 316 S	



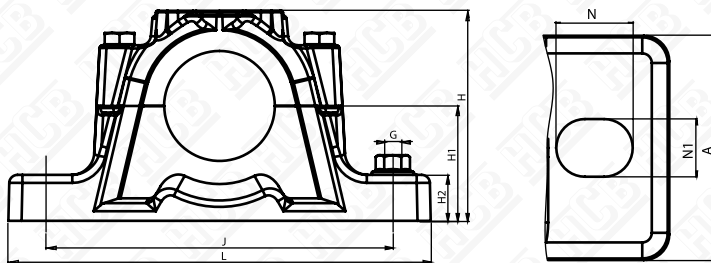
HOUSING	DIMENSIONS													
	Dc	C _g	L	J	H	H ₁	H ₂	A	A ₁	A ₂	N	N ₁	G	Kg
SNH 213	120	51	275	230	148	80	30	80	110	128	24	18	12	7,4
SNH 313	140	58	315	260	175	95	32	90	120	138	28	22	20	10,1
SNH 314	150	61	320	260	183	95	32	90	125	143	28	22	20	11,3
SNH 215	130	56	280	230	154	80	30	80	115	133	24	18	16	8,2
SNH 315	160	65	345	290	193	100	35	100	140	158	28	22	20	14,7
SNH 216	140	58	315	260	175	95	32	90	120	138	28	22	20	10,6
SNH 316	170	68	345	290	210	112	35	100	145	163	28	22	20	17



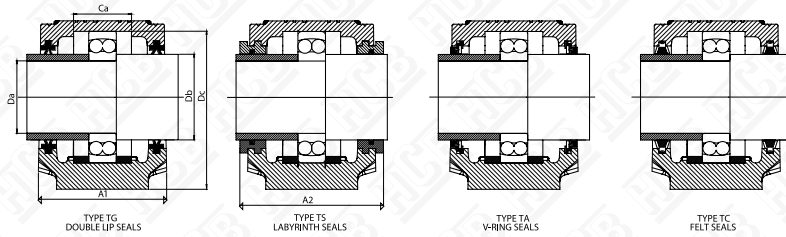
SHAFT		HOUSING	HOUSING WITHOUT SEALS	BEARING	LOCATING RING	END COVER	SEALS	
Da	Db							
85	95	SNH 217	SNH 217-314	1217	2 frb 16.5/150	ASNH 217	TSN 217 G	
				2217	2 frb 12.5/150		TSN 217 A	
				22217	2 frb 12.5/150		-	
				-	-		TSN 217 S	
	SNH 317	SNH 220-317	1317	2 frb 14.5/180	ASNH 317	TSN 317 G		
			2317	2 frb 5/180		TSN 317 A		
			21317	2 frb 14.5/180		-		
			22317	2 frb 5/180		TSN 317 S		
	90	100	SNH 218	SNH 218-315	1218	2 frb 17.5/160	ASNH 218	TSN 218 G
					2218	2 frb 12.5/160		TSN 218 A
					22218	2 frb 12.5/160		-
					-	-		TSN 218 S
SNH 318		SNH 318	1318	2 frb 15.5/190	ASNH 318	TSN 318 G		
			2318	2 frb 5/190		TSN 318 A		
			21318	2 frb 15.5/190		-		
			22318	2 frb 5/190		TSN 318 S		
95		110	SNH 219	SNH 219-316	1219	2 frb 18/170	ASNH 219	TSN 219 G
					2219	2 frb 12.5/170		TSN 219 A
					22219	2 frb 12.5/170		-
					-	-		TSN 219 S
	SNH 319	SNH 222-319	1319	2 frb 17.5/200	ASNH 319	TSN 319 G		
			2319	2 frb 6.5/200		TSN 319 A		
			21319	2 frb 17.5/200		-		
			22319	2 frb 6.5/200		TSN 319 S		
	100	115	SNH 220	SNH 220-317	1220	2 frb 18/180	ASNH 220	TSN 220 G
					2220	2 frb 12/180		TSN 220 A
					22220	2 frb 12/180		-
					23220	2 frb 4.85/180		TSN 220 S
SNH 320		SNH 224-320	1320	2 frb 19.5/215	ASNH 320	TSN 320 G		
			2320	2 frb 6.5/215		TSN 320 A		
			21320	2 frb 19.5/215		-		
			22320	2 frb 6.5/215		TSN 320 S		



HOUSING	DIMENSIONS													
	Dc	Cs	L	J	H	H ₁	H ₂	A	A ₁	A ₂	N	N ₁	G	Kg
SNH 217	150	61	320	260	183	95	32	90	125	143	28	22	20	11,3
SNH 317	180	70	380	320	215	112	40	110	160	178	32	26	24	20,4
SNH 218	160	65	345	290	193	100	35	100	140	158	28	22	20	14,7
SNH 318	190	74	380	320	229	112	40	110	155	173	32	26	24	16,5
SNH 219	170	68	345	290	210	112	35	100	145	163	28	22	20	17
SNH 319	200	80	410	350	239	125	45	120	175	191	32	26	24	25,8
SNH 220	180	70	380	320	215	112	40	110	160	178	32	26	24	20,4
SNH 320	215	86	410	350	271	140	45	120	185	199	32	26	24	32,6



SHAFT		HOUSING	HOUSING WITHOUT SEALS	BEARING	LOCATING RING	END COVER	SEALS
Da	Db						
110	125	SNH 222	SNH 222-319	1222	2 frb 21/200	ASNH 222	TSN 222 G
				2222	2 frb 13.5/200		TSN 222 A
				22222	2 frb 13.5/200		-
				23222	2 frb 5.1/200		TSN 222 S
120	135	SNH 224	SNH 224-320	1224	2 frb 22/215	ASNH 224	TSN 224 G
				22224	2 frb 14/215		TSN 224 A
				23224	2 frb 5/215		-
				-	-		TSN 224 S
130	145	SNH 226	SNH 526-226	1226	2 frb 22/230	ASNH 226	TSN 226 G
				22226	2 frb 13/230		TSN 226 A
				23226	2 frb 5/230		-
				-	-		TSN 226 S
140	155	SNH 228	SNH 528-228	22228	2 frb 15/250	ASNH 228	TSN 228 G
				23228	2 frb 5/250		TSN 228 A
				-	-		-
				-	-		TSN 228 S
150	165	SNH 230	SNH 530-230	22230	2 frb 16.5/270	ASNH 230	TSN 230 G
				23230	2 frb 5/270		TSN 230 A
				-	-		-
				-	-		TSN 230 S
160	175	SNH 232	SNH 532-232	22232	2 frb 17/290	ASNH 232	TSN 232 G
				23232	2 frb 5/290		TSN 232 A
				-	-		-
				-	-		TSN 232 S

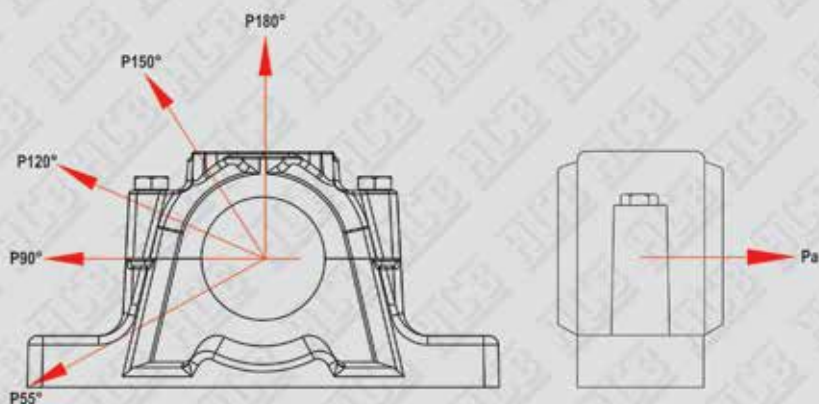


HOUSING	DIMENSIONS													
	Dc	C _a	L	J	H	H ₁	H ₂	A	A ₁	A ₂	N	N ₁	G	Kg
SNH 222	200	80	410	350	239	125	45	120	175	191	32	26	24	25,8
SNH 224	215	86	410	350	271	140	45	120	185	199	32	26	24	32,6
SNH 226	230	90	445	380	290	150	50	130	190	208	35	28	24	40,2
SNH 228	250	98	500	420	302	150	50	150	205	233	42	35	30	50,8
SNH 230	270	106	530	450	323	160	60	160	220	241	42	35	30	59,7
SNH 232	290	114	550	470	344	170	60	160	235	254	42	35	30	69

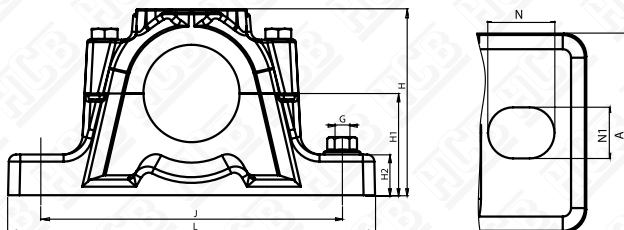


SNH 500-600



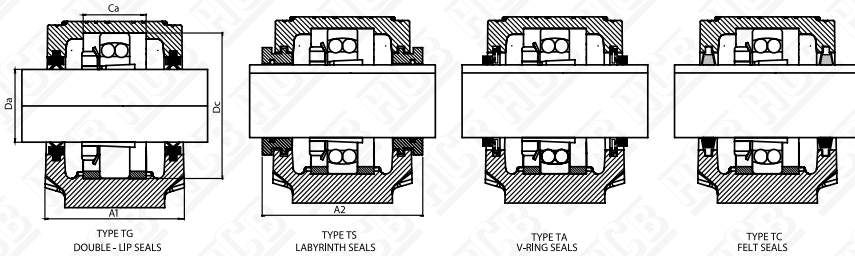


Housing		Breaking loads					
Size	P _{0°}	P _{55°}	P _{90°}	P _{120°}	P _{150°}	P _{180°}	P _a
-	kN	kN	kN	kN	kN	kN	kN
SNH 505	100	155	95	70	60	80	52
SNH 506-605	130	170	100	80	65	85	55
SNH 507-606	140	190	115	85	80	95	60
SNH 508-607	150	215	130	95	85	110	70
SNH 509	160	230	140	100	90	115	75
SNH 510-608	170	265	155	120	110	130	85
SNH 511-609	190	275	170	125	115	140	90
SNH 512-610	210	300	180	130	120	150	100
SNH 513-611	270	340	205	150	130	170	110
SNH 515-612	290	410	250	185	160	205	135
SNH 516-613	350	430	260	190	175	215	140
SNH 517	370	480	290	205	190	240	155
SNH 518-615	430	550	340	250	215	275	180
SNH 519-616	450	580	350	260	230	290	190
SNH 520-617	470	620	370	280	250	310	200
SNH 522-619	600	680	410	310	275	340	220
SNH 524-620	800	790	470	350	320	400	260
SNH 526	900	900	540	410	360	450	295
SNH 528	1000	1 050	630	470	430	530	345
SNH 530	1100	1 200	730	540	480	600	390
SNH 532	1300	1 450	860	640	570	720	470

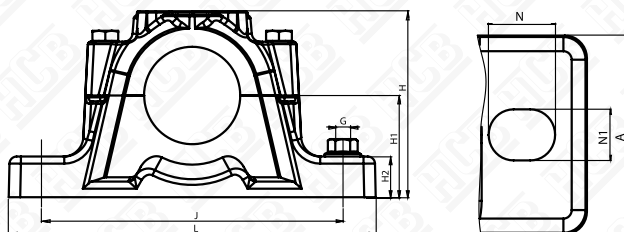


SHAFT Da	HOUSING	HOUSING WITHOUT SEALS	BEARING	LOCATING RING	END COVER	SEALS
20	SNH 505	SNH 505	1205 K	2 frb 5/52	ASNH 505	TSN 505 G
			2205 K	2 frb 3.5/52		-
			22205 K	2 frb 3.5/52		-
			-	-		-
	SNH 605	SNH 506-605	1305 K	2 frb 7.5/62	ASNH 605	TSN 605 G
			2305 K	2 frb 4/62		TSN 605 A
			21305 K	2 frb 7.5/62		TSN 605 C
			-	-		-
25	SNH 506	SNH 506-605	1206 K	2 frb 8/62	ASNH 506	TSN 506 G
			2206 K	2 frb 6/62		-
			22206 K	2 frb 6/62		-
			-	-		-
	SNH 606	SNH 507-606	1306 K	2 frb 7.5/72	ASNH 606	TSN 606 G
			2306 K	2 frb 3.5/62		TSN 606 A
			21306 K	2 frb 7.5/62		TSN 606 C
			-	-		-
30	SNH 507	SNH 507-606	1207 K	2 frb 8.5/72	ASNH 507	TSN 507 G
			2207 K	2 frb 5.5/72		-
			22207 K	2 frb 5.5/72		TSN 507 C
			-	-		-
	SNH 607	SNH 508-607	1307 K	2 frb 9/80	ASNH 607	TSN 607 G
			2307 K	2 frb 4/80		TSN 607 A
			21307 K	2 frb 9/80		TSN 607 C
			-	-		-
35	SNH 508	SNH 508-607	1208 K	2 frb 10.5/80	ASNH 508	TSN 508 G
			2208 K	2 frb 8/80		-
			22208 K	2 frb 8/80		TSN 508 C
			-	-		-
	SNH 608	SNH 510-608	1308 K	2 frb 9/90	ASNH 608	TSN 608 G
			2308 K	2 frb 4/90		TSN 608 A
			21308 K	2 frb 9/90		TSN 608 C
			22308 K	2 frb 4/90		-

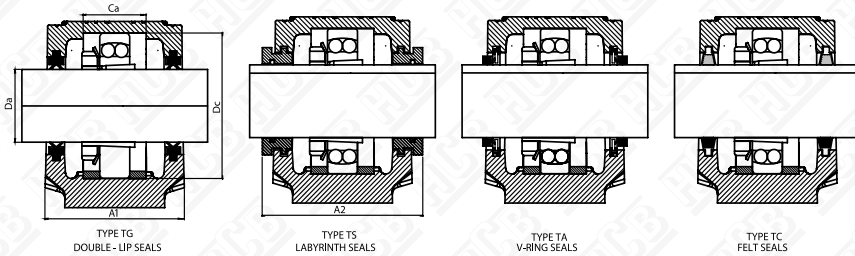
SNH 500-600



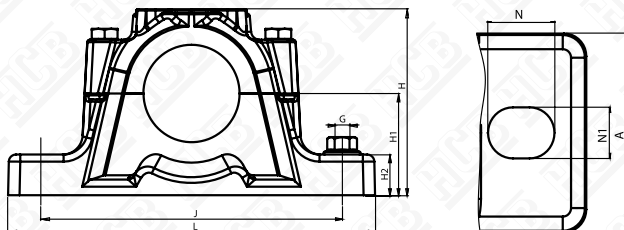
HOUSING	DIMENSIONS													
	Dc	C _a	L	J	H	H ₁	H ₂	A	A ₁	A ₂	N	N ₁	G	Kg
SNH 505	52	25	165	130	74	40	19	46	67	90	20	15	12	1,5
SNH 605	62	32	185	150	89	50	22	52	77	89	20	15	12	2,2
SNH 506	62	32	185	150	89	50	22	52	77	89	20	15	12	2,2
SNH 606	72	34	185	150	93	50	22	52	82	94	20	15	12	2,4
SNH 507	72	34	185	150	93	50	22	52	82	94	20	15	12	2,4
SNH 607	80	39	205	170	107	60	25	60	85	97	20	15	12	3,1
SNH 508	80	39	205	170	107	60	25	60	85	97	20	15	12	3,1
SNH 608	90	41	205	170	113	60	25	60	90	102	20	15	12	3,8



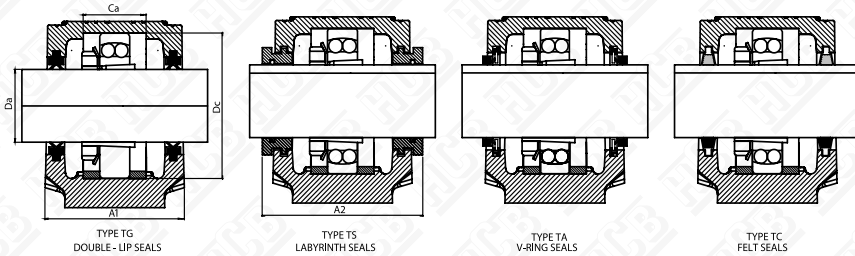
SHAFT Da	HOUSING	HOUSING WITHOUT SEALS	BEARING	LOCATING RING	END COVER	SEALS
40	SNH 509	SNH 509	1209 K	2 frb 5.5/85	ASNH 509	TSN 509 G
			2209 K	2 frb 3.5/85		TSN 509 A
			22209 K	2 frb 3.5/85		TSN 509 C
			-	-		TSN 509 S
	SNH 609	SNH 511-609	1309 K	2 frb 9.5/100	ASNH 609	TSN 609 G
			2309 K	2 frb 4/100		TSN 609 A
			21309 K	2 frb 9.5/100		TSN 609 C
			22309 K	2 frb 4/100		TSN 609 S
45	SNH 510	SNH 510	1210 K	2 frb 10.5/90	ASNH 510	TSN 510 G
			2210 K	2 frb 9/90		TSN 510 A
			22210 K	2 frb 9/90		TSN 510 C
			-	-		TSN 510 S
	SNH 610	SNH 512-610	1310 K	2 frb 10.5/110	ASNH 610	TSN 610 G
			2310 K	2 frb 4/110		TSN 610 A
			21310 K	2 frb 10.5/110		TSN 610 C
			22310 K	2 frb 4/110		TSN 610 S
50	SNH 511	SNH 511-609	1211 K	2 frb 11.5/100	ASNH 511	TSN 511 G
			2211 K	2 frb 9.5/100		TSN 511 A
			22211 K	2 frb 9.5/100		TSN 511 C
			-	-		TSN 511 S
	SNH 611	SNH 513-611	1311 K	2 frb 11/120	ASNH 611	TSN 611 G
			2311 K	2 frb 4/120		TSN 611 A
			21311 K	2 frb 11/120		TSN 611 C
			22311 K	2 frb 4/120		TSN 611 S
55	SNH 512	SNH 512-610	1212 K	2 frb 13/110	ASNH 512	TSN 512 G
			2212 K	2 frb 10/110		TSN 512 A
			22212 K	2 frb 10/110		TSN 512 C
			-	-		TSN 512 S
	SNH 612	SNH 515-612	1312 K	2 frb 12.5/130	ASNH 612	TSN 612 G
			2312 K	2 frb 5/130		TSN 612 A
			21312 K	2 frb 12.5/130		TSN 612 C
			22312 K	2 frb 5/130		TSN 612 S



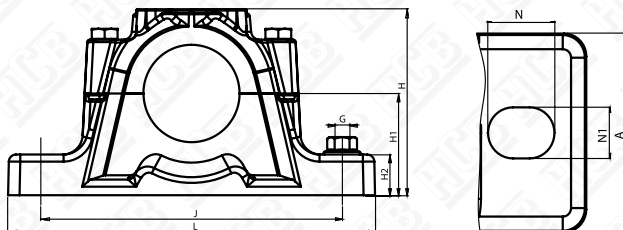
HOUSING	DIMENSIONS													
	D _c	C _a	L	J	H	H ₁	H ₂	A	A ₁	A ₂	N	N ₁	G	Kg
SNH 509	85	30	205	170	109	60	25	60	85	97	20	15	12	3,4
SNH 609	100	44	255	210	127	70	28	70	95	107	24	18	16	5,4
SNH 510	90	41	205	170	113	60	25	60	90	102	20	15	12	3,8
SNH 610	110	48	255	210	133	70	30	70	105	117	24	18	16	5,8
SNH 511	100	44	255	210	127	70	28	70	95	107	24	18	12	5,3
SNH 611	120	51	275	230	148	80	30	80	110	122	24	18	16	7,4
SNH 512	110	48	255	210	133	70	30	70	105	117	24	18	16	5,7
SNH 612	130	56	280	230	154	80	30	80	115	127	24	18	16	8,2



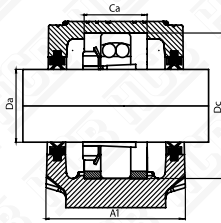
SHAFT	HOUSING	HOUSING WITHOUT SEALS	BEARING	LOCATING RING	END COVER	SEALS	
Da							
60	SNH 513	SNH 513-611	1213 K	2 frb 14/120	ASNH 513	TSN 513 G	
			2213 K	2 frb 10/120		TSN 513 A	
			22213 K	2 frb 10/120		TSN 513 C	
			-	-		TSN 513 S	
	SNH 613	SNH 516-613	1313 K	2 frb 12.5/140	ASNH 613	TSN 613 G	
			2313 K	2 frb 5/140		TSN 613 A	
			21313 K	2 frb 12.5/140		TSN 613 C	
			22313 K	2 frb 5/140		TSN 613 S	
	65	SNH 515	SNH 515-612	1215 K	2 frb 15.5/130	ASNH 515	TSN 515 G
				2215 K	2 frb 12.5/130		TSN 515 A
22215 K				2 frb 12.5/130	TSN 515 C		
-				-	TSN 515 S		
SNH 615		SNH 518-615	1315 K	2 frb 14/160	ASNH 615	TSN 615 G	
			2315 K	2 frb 5/160		TSN 615 A	
			21315 K	2 frb 14/160		TSN 615 C	
			22315 K	2 frb 5/160		TSN 615 S	
70		SNH 516	SNH 516-613	1216 K	2 frb 16/140	ASNH 516	TSN 516 G
				2216 K	2 frb 12.5/140		TSN 516 A
	22216 K			2 frb 12.5/140	TSN 516 C		
	-			-	TSN 516 S		
	SNH 616	SNH 519-616	1316 K	2 frb 14.5/170	ASNH 616	TSN 616 G	
			2316 K	2 frb 5/170		TSN 616 A	
			21316 K	2 frb 14.5/170		TSN 616 C	
			22316 K	2 frb 5/170		TSN 616 S	
	75	SNH 517	SNH 517	1217 K	2 frb 16.5/150	ASNH 517	TSN 517 G
				2217 K	2 frb 12.5/150		TSN 517 A
22217 K				2 frb 12.5/150	TSN 517 C		
-				-	TSN 517 S		
SNH 617		SNH 520-617	1317 K	2 frb 14.5/180	ASNH 617	TSN 617 G	
			2317 K	2 frb 5/180		TSN 617 A	
			21317 K	2 frb 14.5/180		TSN 617 C	
			22317 K	2 frb 5/180		TSN 617 S	



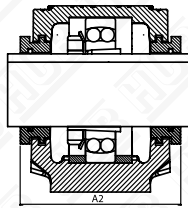
HOUSING	DIMENSIONS													
	Dc	C _a	L	J	H	H ₁	H ₂	A	A ₁	A ₂	N	N ₁	G	Kg
SNH 513	120	51	275	230	148	80	30	80	110	128	24	18	12	7,4
SNH 613	140	58	315	260	175	95	32	90	120	138	28	22	20	10,1
SNH 515	130	56	280	230	154	80	30	80	115	133	24	18	16	8,2
SNH 615	160	65	345	290	193	100	35	100	140	158	28	22	20	14,7
SNH 516	140	58	315	260	175	95	32	90	120	138	28	22	20	10,6
SNH 616	170	68	345	290	210	112	35	100	145	163	28	22	20	17
SNH 517	150	61	320	260	183	95	32	90	125	143	28	22	20	11,3
SNH 617	180	70	380	320	215	112	40	110	160	178	32	26	24	20,4



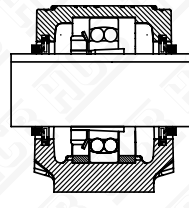
SHAFT Da	HOUSING	HOUSING WITHOUT SEALS	BEARING	LOCATING RING	END COVER	SEALS
80	SNH 518	SNH 518-615	1218 K	2 frb 17.5/160	ASNH 518	TSN 518 G
			2218 K	2 frb 12.5/160		TSN 518 A
			22218 K	2 frb 12.5/160		TSN 518 C
			-	-		TSN 518 S
	SNH 618	SNH 618	1318 K	2 frb 15.5/190	ASNH 618	TSN 618 G
			2318 K	2 frb 5/190		TSN 618 A
			21318 K	2 frb 15.5/190		TSN 618 C
			22318 K	2 frb 5/190		TSN 618 S
85	SNH 519	SNH 519-616	1219 K	2 frb 18/170	ASNH 519	TSN 519 G
			2219 K	2 frb 12.5/170		TSN 519 A
			22219 K	2 frb 12.5/170		TSN 519 C
			-	-		TSN 519 S
	SNH 619	SNH 522-619	1319 K	2 frb 17.5/200	ASNH 619	TSN 619 G
			2319 K	2 frb 6.5/200		TSN 619 A
			21319 K	2 frb 17.5/200		TSN 619 C
			22319 K	2 frb 6.5/200		TSN 619 S
90	SNH 520	SNH 520-617	1220 K	2 frb 18/180	ASNH 520	TSN 520 G
			2220 K	2 frb 12/180		TSN 520 A
			22220 K	2 frb 12/180		TSN 520 C
			23220 K	2 frb 4.85/180		TSN 520 S
	SNH 620	SNH 524-620	1320 K	2 frb 19.5/215	ASNH 620	TSN 620 G
			2320 K	2 frb 6.5/215		TSN 620 A
			21320 K	2 frb 19.5/215		TSN 620 C
			22320 K	2 frb 6.5/215		TSN 620 S



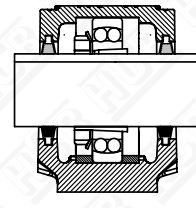
TYPE TG
DOUBLE-LIP SEALS



TYPE TS
LABYRINTH SEALS

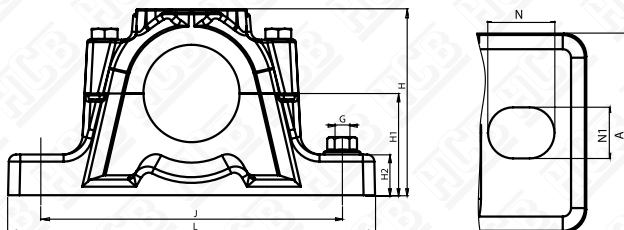


TYPE TA
V-RING SEALS

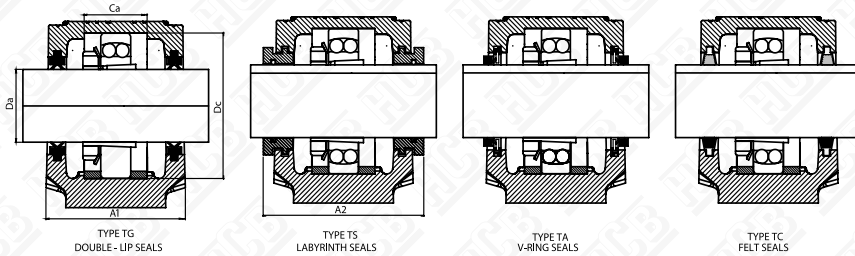


TYPE TC
FELT SEALS

HOUSING	DIMENSIONS													
	D _c	C _a	L	J	H	H ₁	H ₂	A	A ₁	A ₂	N	N ₁	G	Kg
SNH 518	160	65	345	290	193	100	35	100	140	158	28	22	20	14,7
SNH 618	190	74	380	320	229	112	40	110	155	173	32	26	24	16,5
SNH 519	170	68	345	290	210	112	35	100	145	163	28	22	20	17
SNH 619	200	80	410	350	239	125	45	120	175	191	32	26	24	25,8
SNH 520	180	70	380	320	215	112	40	110	160	178	32	26	24	20,4
SNH 620	215	86	410	350	271	140	45	120	185	199	32	26	24	32,6



SHAFT Da	HOUSING	HOUSING WITHOUT SEALS	BEARING	LOCATING RING	END COVER	SEALS
100	SNH 522	SNH 522-619	1222 K	2 frb 21/200	ASNH 522	TSN 522 G
			2222 K	2 frb 13.5/200		TSN 522 A
			22222 K	2 frb 13.5/200		TSN 522 C
			23222 K	2 frb 5.1/200		TSN 522 S
110	SNH 524	SNH 524-620	1224 K	2 frb 22/215	ASNH 524	TSN 524 G
			22224 K	2 frb 14/215		TSN 524 A
			23224 K	2 frb 5/215		TSN 524 C
			-	-		TSN 524 S
115	SNH 526	SNH 526-226	22226 K	2 frb 13/230	ASNH 526	TSN 526 G
			23226 K	2 frb 5/230		TSN 526 A
			-	-		TSN 526 C
			-	-		TSN 526 S
125	SNH 528	SNH 528-228	22228 K	2 frb 15/250	ASNH 528	TSN 528 G
			23228 K	2 frb 5/250		TSN 528 A
			-	-		TSN 528 C
			-	-		TSN 528 S
135	SNH 530	SNH 530-230	22230 K	2 frb 16.5/270	ASNH 530	TSN 530 G
			23230 K	2 frb 5/270		TSN 530 A
			-	-		TSN 530 C
			-	-		TSN 530 S
140	SNH 532	SNH 532-232	22232 K	2 frb 17/290	ASNH 532	TSN 532 G
			23232 K	2 frb 5/290		TSN 532 A
			-	-		TSN 532 C
			-	-		TSN 532 S

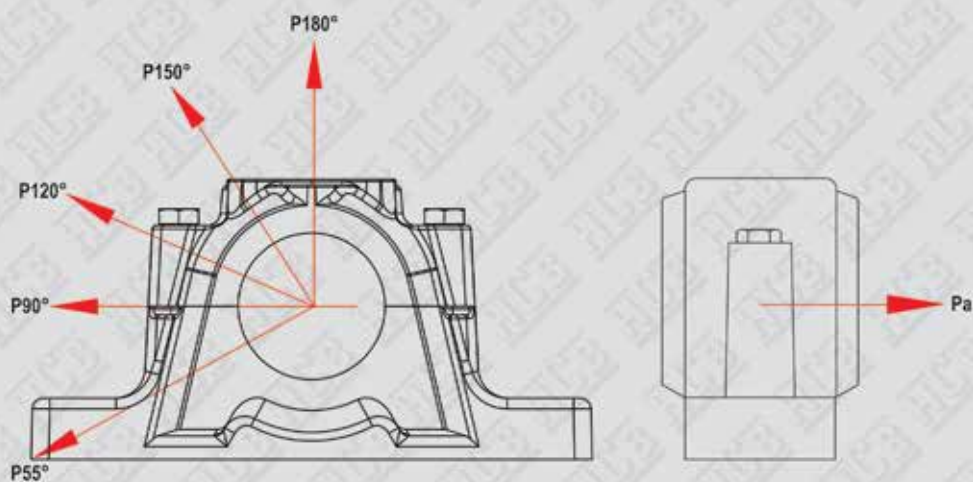


HOUSING	DIMENSIONS													
	Dc	C ₂	L	J	H	H ₁	H ₂	A	A ₁	A ₂	N	N ₁	G	Kg
SNH 522	200	80	410	350	239	125	45	120	175	191	32	26	24	25,8
SNH 524	215	86	410	350	271	140	45	120	185	199	32	26	24	32,6
SNH 526	230	90	445	380	290	150	50	130	190	208	35	28	24	40,2
SNH 528	250	98	500	420	302	150	50	150	205	233	42	35	30	50,8
SNH 530	270	106	530	450	323	160	60	160	220	241	42	35	30	59,7
SNH 532	290	114	550	470	344	170	60	160	235	254	42	35	30	69

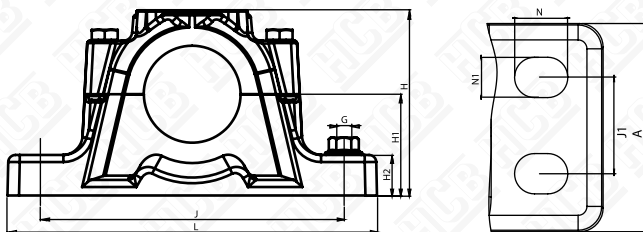


FSNH 200-300

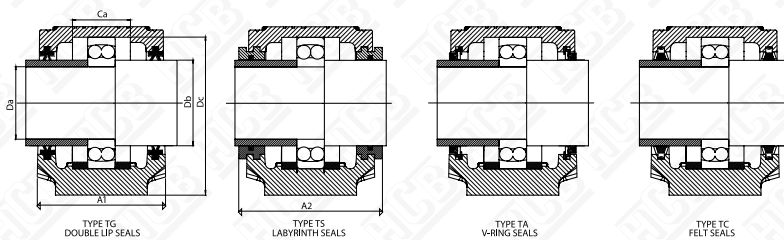




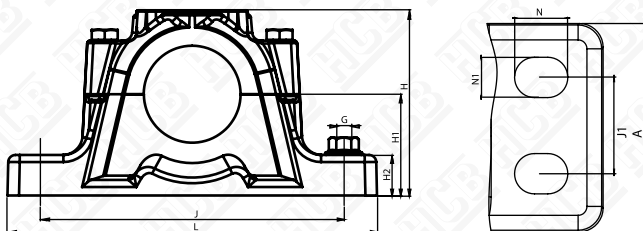
Housing	Breaking loads						
Size	P _{0°}	P _{55°}	P _{90°}	P _{120°}	P _{150°}	P _{180°}	P _a
-	kN	kN	kN	kN	kN	kN	kN
FSNH 205	100	155	95	70	60	80	52
FSNH 206-305	130	170	100	80	65	85	55
FSNH 207-306	140	190	115	85	80	95	60
FSNH 208-307	150	215	130	95	85	110	70
FSNH 209	160	230	140	100	90	115	75
FSNH 210-308	170	265	155	120	110	130	85
FSNH 211-309	210	275	170	125	115	140	90
FSNH 212-310	210	300	180	130	120	150	100
FSNH 213-311	270	340	205	150	130	170	110
FSNH 215-312	290	410	250	185	160	205	135
FSNH 216-313	350	430	260	190	175	215	140
FSNH 217	370	480	290	205	190	240	155
FSNH 218-315	430	550	340	250	215	275	180
FSNH 219-316	450	580	350	260	230	290	190
FSNH 220-317	470	620	370	280	250	310	200
FSNH 222-319	600	680	410	310	275	340	220
FSNH 224-320	800	790	470	350	320	400	260
FSNH 226	900	900	540	410	360	450	295
FSNH 228	1000	1050	630	470	430	530	345
FSNH 230	1100	1200	730	540	480	600	390
FSNH 232	1300	1450	860	640	570	720	470



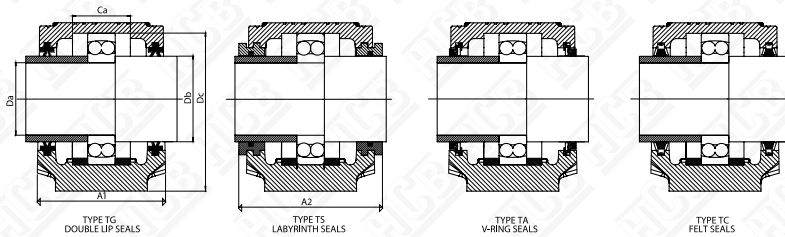
SHAFT		HOUSING	HOUSING WITHOUT SEALS	BEARING	LOCATING RING	END COVER	SEALS
Da	Db						
55	65	FSNH 211	SNH 211-309	1211	2 frb 11.5/100	ASNH 211	TSN 211 G
				2211	2 frb 9.5/100		TSN 211 A
				22211	2 frb 9.5/100		-
				-	-		TSN 211 S
	FSNH 311	SNH 213-311	1311	2 frb 11/120	ASNH 311	TSN 311 G	
			2311	2 frb 4/120		TSN 311 A	
			21311	2 frb 11/120		-	
			22311	2 frb 4/120		-	
60	70	FSNH 212	SNH 212-310	1212	2 frb 13/110	ASNH 212	TSN 212 G
				2212	2 frb 10/110		TSN 212 A
				22212	2 frb 10/110		-
				-	-		TSN 212 S
	FSNH 312	SNH 215-312	1312	2 frb 12.5/130	ASNH 312	TSN 312 G	
			2312	2 frb 5/130		TSN 312 A	
			21312	2 frb 12.5/130		-	
			22312	2 frb 5/130		TSN 312 S	
65	75	FSNH 213	SNH 213-311	1213	2 frb 14/120	ASNH 213	TSN 213 G
				2213	2 frb 10/120		TSN 213 A
				22213	2 frb 10/120		-
				-	-		TSN 213 S
	FSNH 313	SNH 216-313	1313	2 frb 12.5/140	ASNH 313	TSN 313 G	
			2313	2 frb 5/140		TSN 313 A	
			21313	2 frb 12.5/140		-	
			22313	2 frb 5/140		TSN 313 S	
70	80	FSNH 314	SNH 217-314	1314	2 frb 13/150	ASNH 314	TSN 314 G
				2314	2 frb 5/150		-
				21314	2 frb 13/150		-
				22314	2 frb 5/150		TSN 314 S
75	85	FSNH 215	SNH 215-312	1215	2 frb 15.5/130	ASNH 215	TSN 215 G
				2215	2 frb 12.5/130		TSN 215 A
				22215	2 frb 12.5/130		-
				-	-		TSN 215 S
	FSNH 315	SNH 218-315	1315	2 frb 14/160	ASNH 315	TSN 315 G	
			2315	2 frb 5/160		TSN 315 A	
			21315	2 frb 14/160		-	
			22315	2 frb 5/160		TSN 315 S	



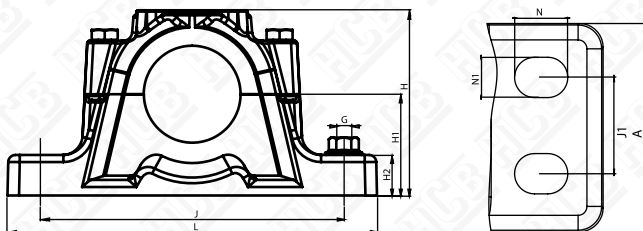
HOUSING	DIMENSIONS														
	Dc	Cg	L	J	J1	H	H1	H2	A	A1	A2	N	N1	G	Kg
FSNH 211	100	44	210	255	35	127	70	28	70	95	107	20	15	12	5,3
FSNH 311	120	51	275	230	40	148	80	30	80	110	122	20	15	12	7,4
FSNH 212	110	48	255	210	35	133	70	30	70	105	117	20	15	12	5,7
FSNH 312	130	56	280	230	40	154	80	30	80	115	127	20	15	12	8,2
FSNH 213	120	51	275	230	40	148	80	30	80	110	128	20	15	12	7,4
FSNH 313	140	58	315	260	50	175	95	32	90	120	138	24	18	16	10,1
FSNH 314	150	61	320	260	50	183	95	32	90	125	143	24	18	16	11,3
FSNH 215	130	56	280	230	40	154	80	30	80	115	133	20	15	12	8,2
FSNH 315	160	65	345	290	50	193	100	35	100	140	158	24	18	16	14,7



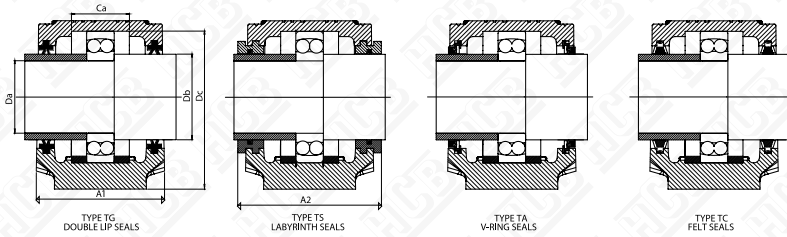
SHAFT		HOUSING	HOUSING WITHOUT SEALS	BEARING	LOCATING RING	END COVER	SEALS
Da	Db						
80	90	FSNH 216	SNH 216-313	1216	2 frb 16/140	ASNH 216	TSN 216 G
				2216	2 frb 12.5/140		TSN 216 A
				22216	2 frb 12.5/140		-
				-	-		TSN 316 S
	FSNH 316	SNH 219-316	1316	2 frb 14.5/170	ASNH 316	TSN 316 G	
			2316	2 frb 5/170		TSN 316 A	
			21316	2 frb 14.5/170		-	
			22316	2 frb 5/170		TSN 316 S	
85	95	FSNH 217	SNH 217-314	1217	2 frb 16.5/150	ASNH 217	TSN 217 G
				2217	2 frb 12.5/150		TSN 217 A
				22217	2 frb 12.5/150		-
				-	-		TSN 217 S
	FSNH 317	SNH 220-317	1317	2 frb 14.5/180	ASNH 317	TSN 317 G	
			2317	2 frb 5/180		TSN 317 A	
			21317	2 frb 14.5/180		-	
			22317	2 frb 5/180		TSN 317 S	
90	100	FSNH 218	SNH 218-315	1218	2 frb 17.5/160	ASNH 218	TSN 218 G
				2218	2 frb 12.5/160		TSN 218 A
				22218	2 frb 12.5/160		-
				-	-		TSN 218 S
	FSNH 318	SNH 318	1318	2 frb 15.5/190	ASNH 318	TSN 318 G	
			2318	2 frb 5/190		TSN 318 A	
			21318	2 frb 15.5/190		-	
			22318	2 frb 5/190		TSN 318 S	
95	110	FSNH 219	SNH 219-316	1219	2 frb 18/170	ASNH 219	TSN 219 G
				2219	2 frb 12.5/170		TSN 219 A
				22219	2 frb 12.5/170		-
				-	-		TSN 219 S
	FSNH 319	SNH 222-319	1319	2 frb 17.5/200	ASNH 319	TSN 319 G	
			2319	2 frb 6.5/200		TSN 319 A	
			21319	2 frb 17.5/200		-	
			22319	2 frb 6.5/200		TSN 319 S	



HOUSING	DIMENSIONS														
	Dc	Cg	L	J	J1	H	H ₁	H ₂	A	A ₁	A ₂	N	N ₁	G	Kg
FSNH 216	140	58	315	260	50	175	95	32	90	120	138	24	18	16	10,6
FSNH 316	170	68	345	290	50	210	112	35	100	145	163	24	18	16	17
FSNH 217	150	61	320	260	50	183	95	32	90	125	143	24	18	16	11,3
FSNH 317	180	70	380	320	60	215	112	40	110	160	178	24	18	16	20,4
FSNH 218	160	65	345	290	50	193	100	35	100	140	158	24	18	16	14,7
FSNH 318	190	74	380	320	60	229	112	40	110	155	173	24	18	16	16,5
FSNH 219	170	68	345	290	50	210	112	35	100	145	163	24	18	16	17
FSNH 319	200	80	410	350	70	239	125	45	120	175	191	24	18	16	25,8



SHAFT		HOUSING	HOUSING WITHOUT SEALS	BEARING	LOCATING RING	END COVER	SEALS
Da	Db						
100	115	FSNH 220	SNH 220-317	1220	2 frb 18/180	ASNH 220	TSN 220 G
				2220	2 frb 12/180		TSN 220 A
				22220	2 frb 12/180		-
				23220	2 frb 4.85/180		TSN 220 S
	115	FSNH 320	SNH 224-320	1320	2 frb 19.5/215	ASNH 320	TSN 320 G
				2320	2 frb 6.5/215		TSN 320 A
				21320	2 frb 19.5/215		-
				22320	2 frb 6.5/215		TSN 320 S
110	125	FSNH 222	SNH 222-319	1222	2 frb 21/200	ASNH 222	TSN 222 G
				2222	2 frb 13.5/200		TSN 222 A
				22222	2 frb 13.5/200		-
				23222	2 frb 5.1/200		TSN 222 S
120	135	FSNH 224	SNH 224-320	1224	2 frb 22/215	ASNH 224	TSN 224 G
				22224	2 frb 14/215		TSN 224 A
				23224	2 frb 5/215		-
				-	-		TSN 224 S
130	145	FSNH 226	SNH 526-226	22226	2 frb 13/230	ASNH 226	TSN 226 G
				23226	2 frb 5/230		TSN 226 A
				-	-		-
				-	-		TSN 226 S
140	155	FSNH 228	SNH 528-228	22228	2 frb 15/250	ASNH 228	TSN 228 G
				23228	2 frb 5/250		TSN 228 A
				-	-		-
				-	-		TSN 228 S
150	165	FSNH 230	SNH 530-230	22230	2 frb 16.5/270	ASNH 230	TSN 230 G
				23230	2 frb 5/270		TSN 230 A
				-	-		-
				-	-		TSN 230 S
160	175	FSNH 232	SNH 532-232	22232	2 frb 17/290	ASNH 232	TSN 232 G
				23232	2 frb 5/290		TSN 232 A
				-	-		-
				-	-		TSN 232 S

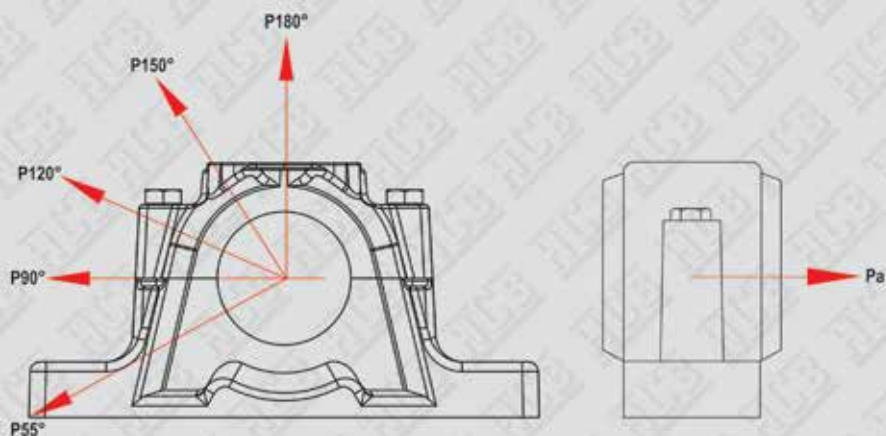


HOUSING	DIMENSIONS														
	Dc	Ca	L	J	J1	H	H ₁	H ₂	A	A ₁	A ₂	N	N ₁	G	Kg
FSNH 220	180	70	380	320	60	215	112	40	110	160	178	24	18	16	20,4
FSNH 320	215	86	410	350	70	271	140	45	120	185	199	24	18	16	32,6
FSNH 222	200	80	410	350	70	239	125	45	120	175	191	24	18	16	25,8
FSNH 224	215	86	410	350	70	271	140	45	120	185	199	24	18	16	32,6
FSNH 226	230	90	445	380	70	290	150	50	130	190	208	28	22	20	40,2
FSNH 228	250	98	500	420	80	302	150	50	150	205	233	32	26	24	50,8
FSNH 230	270	106	530	450	90	323	160	60	160	220	241	32	26	24	59,7
FSNH 232	290	114	550	470	90	344	170	60	160	235	254	32	26	24	69

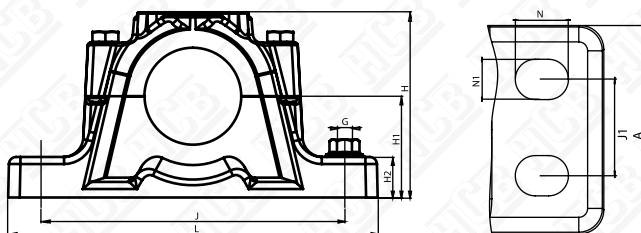


FSNH 500-600

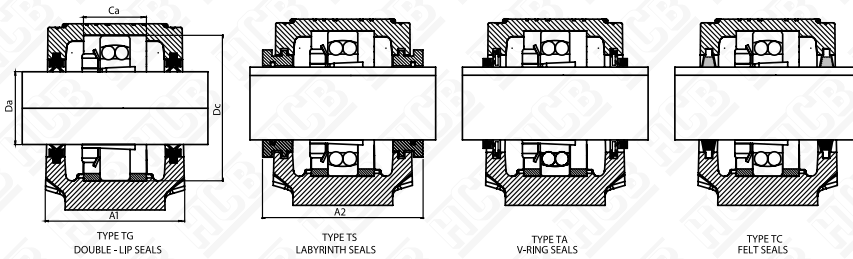




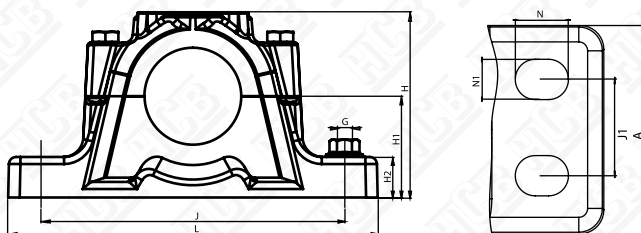
Housing		Breaking loads					
Size	P _{0°}	P _{55°}	P _{90°}	P _{120°}	P _{150°}	P _{180°}	P _a
-	kN	kN	kN	kN	kN	kN	kN
FSNH 505	100	155	95	70	60	80	52
FSNH 506-605	130	170	100	80	65	85	55
FSNH 507-606	140	190	115	85	80	95	60
FSNH 508-607	150	215	130	95	85	110	70
FSNH 509	160	230	140	100	90	115	75
FSNH 510-608	170	265	155	120	110	130	85
FSNH 511-609	190	275	170	125	115	140	90
FSNH 512-610	210	300	180	130	120	150	100
FSNH 513-611	270	340	205	150	130	170	110
FSNH 515-612	290	410	250	185	160	205	135
FSNH 516-613	350	430	260	190	175	215	140
FSNH 517	370	480	290	205	190	240	155
FSNH 518-615	430	550	340	250	215	275	180
FSNH 519-616	450	580	350	260	230	290	190
FSNH 520-617	470	620	370	280	250	310	200
FSNH 522-619	600	680	410	310	275	340	220
FSNH 524-620	800	790	470	350	320	400	260
FSNH 526	900	900	540	410	360	450	295
FSNH 528	1000	1 050	630	470	430	530	345
FSNH 530	1100	1 200	730	540	480	600	390
FSNH 532	1300	1 450	860	640	570	720	470



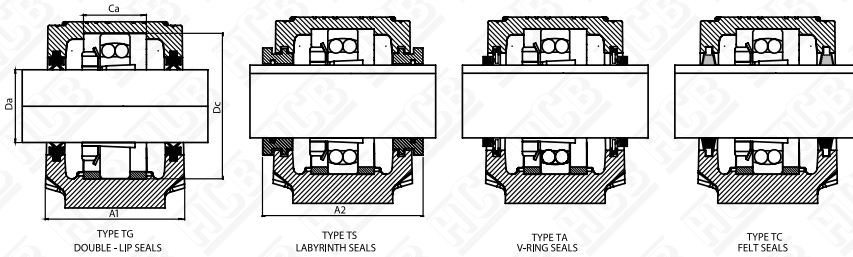
SHAFT Da	HOUSING	HOUSING WITHOUT SEALS	BEARING	LOCATING RING	END COVER	SEALS
50	F5NH 511	SNH 511-609	1211 K	2 frb 11.5/100	ASNH 511	TSN 511 G
			2211 K	2 frb 9.5/100		TSN 511 A
			22211 K	2 frb 9.5/100		TSN 511 C
			-	-		TSN 511 S
	F5NH 611	SNH 513-611	1311 K	2 frb 11/120	ASNH 611	TSN 611 G
			2311 K	2 frb 4/120		TSN 611 A
			21311 K	2 frb 11/120		TSN 611 C
			22311 K	2 frb 4/120		TSN 611 S
55	F5NH 512	SNH 512-610	1212 K	2 frb 13/110	ASNH 512	TSN 512 G
			2212 K	2 frb 10/110		TSN 512 A
			22212 K	2 frb 10/110		TSN 512 C
			-	-		TSN 512 S
	F5NH 612	SNH 515-612	1312 K	2 frb 12.5/130	ASNH 612	TSN 612 G
			2312 K	2 frb 5/130		TSN 612 A
			21312 K	2 frb 12.5/130		TSN 612 C
			22312 K	2 frb 5/130		TSN 612 S
60	F5NH 513	SNH 513-611	1213 K	2 frb 14/120	ASNH 513	TSN 513 G
			2213 K	2 frb 10/120		TSN 513 A
			22213 K	2 frb 10/120		TSN 513 C
			-	-		TSN 513 S
	F5NH 613	SNH 516-613	1313 K	2 frb 12.5/140	ASNH 613	TSN 613 G
			2313 K	2 frb 5/140		TSN 613 A
			21313 K	2 frb 12.5/140		TSN 613 C
			22313 K	2 frb 5/140		TSN 613 S
65	F5NH 515	SNH 515-612	1215 K	2 frb 15.5/130	ASNH 515	TSN 515 G
			2215 K	2 frb 12.5/130		TSN 515 A
			22215 K	2 frb 12.5/130		TSN 515 C
			-	-		TSN 515 S
	F5NH 615	SNH 518-615	1315 K	2 frb 14/160	ASNH 615	TSN 615 G
			2315 K	2 frb 5/160		TSN 615 A
			21315 K	2 frb 14/160		TSN 615 C
			22315 K	2 frb 5/160		TSN 615 S



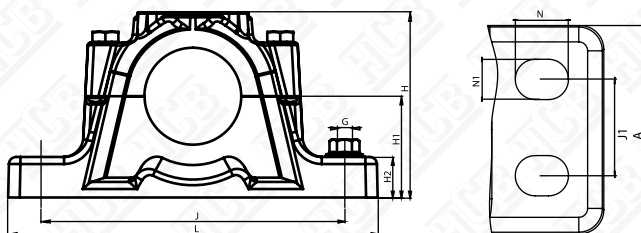
HOUSING	DIMENSIONS														
	Dc	Ca	L	J	J1	H	H ₁	H ₂	A	A ₁	A ₂	N	N ₁	G	Kg
FSNH 511	100	44	255	210	35	127	70	28	70	95	107	20	15	12	5,3
FSNH 611	120	51	275	230	40	148	80	30	80	110	122	20	15	12	7,4
FSNH 512	110	48	255	210	35	133	70	30	70	105	117	20	15	12	5,7
FSNH 612	130	56	280	230	40	154	80	30	80	115	127	20	15	12	8,2
FSNH 513	120	51	275	230	40	148	80	30	80	110	122	20	15	12	7,4
FSNH 613	140	58	315	260	50	175	95	32	90	120	138	24	18	16	10,1
FSNH 515	130	56	280	230	40	154	80	30	80	115	127	20	15	12	8,2
FSNH 615	160	65	345	290	50	193	100	35	100	140	158	24	18	16	14,7



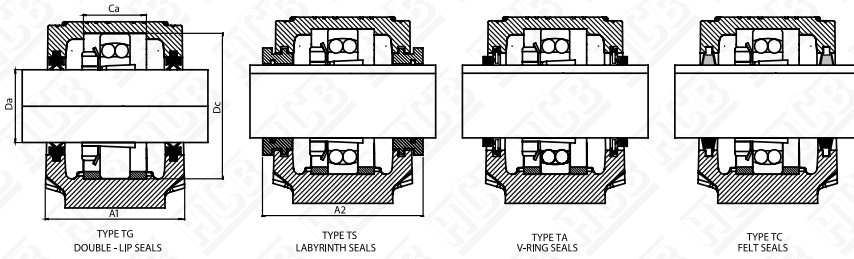
SHAFT	HOUSING	HOUSING WITHOUT SEALS	BEARING	LOCATING RING	END COVER	SEALS
Da						
70	F5NH 516	SNH 516-613	1216 K	2 frb 16/140	ASNH 516	TSN 516 G
			2216 K	2 frb 12.5/140		TSN 516 A
			22216 K	2 frb 12.5/140		TSN 516 C
			-	-		TSN 516 S
	F5NH 616	SNH 519-616	1316 K	2 frb 14.5/170	ASNH 616	TSN 616 G
			2316 K	2 frb 5/170		TSN 616 A
			21316 K	2 frb 14.5/170		TSN 616 C
			22316 K	2 frb 5/170		TSN 616 S
75	F5NH 517	SNH 517	1217 K	2 frb 16.5/150	ASNH 517	TSN 517 G
			2217 K	2 frb 12.5/150		TSN 517 A
			22217 K	2 frb 12.5/150		TSN 517 C
			-	-		TSN 517 S
	F5NH 617	SNH 520-617	1317 K	2 frb 14.5/180	ASNH 617	TSN 617 G
			2317 K	2 frb 5/180		TSN 617 A
			21317 K	2 frb 14.5/180		TSN 617 C
			22317 K	2 frb 5/180		TSN 617 S
80	F5NH 518	SNH 518-615	1218 K	2 frb 17.5/160	ASNH 518	TSN 518 G
			2218 K	2 frb 12.5/160		TSN 518 A
			22218 K	2 frb 12.5/160		TSN 518 C
			-	-		TSN 518 S
	F5NH 618	SNH 618	1318 K	2 frb 15.5/190	ASNH 618	TSN 618 G
			2318 K	2 frb 5/190		TSN 618 A
			21318 K	2 frb 15.5/190		TSN 618 C
			22318 K	2 frb 5/190		TSN 618 S
85	F5NH 519	SNH 519-616	1219 K	2 frb 18/170	ASNH 519	TSN 519 G
			2219 K	2 frb 12.5/170		TSN 519 A
			22219 K	2 frb 12.5/170		TSN 519 C
			-	-		TSN 519 S
	F5NH 619	SNH 522-619	1319 K	2 frb 17.5/200	ASNH 619	TSN 619 G
			2319 K	2 frb 6.5/200		TSN 619 A
			21319 K	2 frb 17.5/200		TSN 619 C
			22319 K	2 frb 6.5/200		TSN 619 S



HOUSING	DIMENSIONS														
	Dc	Ca	L	J	J1	H	H ₁	H ₂	A	A ₁	A ₂	N	N ₁	G	Kg
FSNH 516	140	58	315	260	50	175	95	32	90	120	138	24	18	16	10,6
FSNH 616	170	68	345	290	50	210	112	35	100	145	163	24	18	16	17
FSNH 517	150	61	320	260	50	183	95	32	90	125	143	24	18	16	11,3
FSNH 617	180	70	380	320	60	215	112	40	110	160	178	24	18	16	20,4
FSNH 518	160	65	345	290	50	193	100	35	100	140	158	24	18	16	14,7
FSNH 618	190	74	380	320	60	229	112	40	110	155	128	24	18	16	16,5
FSNH 519	170	68	345	290	50	210	112	35	100	145	163	24	18	16	17
FSNH 619	200	80	410	350	70	239	125	45	120	175	191	24	18	16	25,8



SHAFT	HOUSING	HOUSING WITHOUT SEALS	BEARING	LOCATING RING	END COVER	SEALS
Da						
90	FSNH 520	SNH 520-617	1220 K	2 frb 18/180	ASNH 520	TSN 520 G
			2220 K	2 frb 12/180		TSN 520 A
			22220 K	2 frb 12/180		TSN 520 C
			23220 K	2 frb 4.85/180		TSN 520 S
	FSNH 620	SNH 524-620	1320 K	2 frb 19.5/215	ASNH 620	TSN 620 G
			2320 K	2 frb 6.5/215		TSN 620 A
			21320 K	2 frb 19.5/215		TSN 620 C
			22320 K	2 frb 6.5/215		TSN 620 S
100	FSNH 522	SNH 522-619	1222 K	2 frb 21/200	ASNH 522	TSN 522 G
			2222 K	2 frb 13.5/200		TSN 522 A
			22222 K	2 frb 13.5/200		TSN 522 C
			23222 K	2 frb 5.1/200		TSN 522 S
110	FSNH 524	SNH 524-620	1224 K	2 frb 22/215	ASNH 524	TSN 524 G
			22224 K	2 frb 14/215		TSN 524 A
			23224 K	2 frb 5/215		TSN 524 C
			-	-		TSN 524 S
115	FSNH 526	SNH 526-226	22226 K	2 frb 13/230	ASNH 526	TSN 526 G
			23226 K	2 frb 5/230		TSN 526 A
			-	-		TSN 526 C
			-	-		TSN 526 S
125	FSNH 528	SNH 528-228	22228 K	2 frb 15/250	ASNH 528	TSN 528 G
			23228 K	2 frb 5/250		TSN 528 A
			-	-		TSN 528 C
			-	-		TSN 528 S
135	FSNH 530	SNH 530-230	22230 K	2 frb 16.5/270	ASNH 530	TSN 530 G
			23230 K	2 frb 5/270		TSN 530 A
			-	-		TSN 530 C
			-	-		TSN 530 S
140	FSNH 532	SNH 532-232	22232 K	2 frb 17/290	ASNH 532	TSN 532 G
			23232 K	2 frb 5/290		TSN 532 A
			-	-		TSN 532 C
			-	-		TSN 532 S

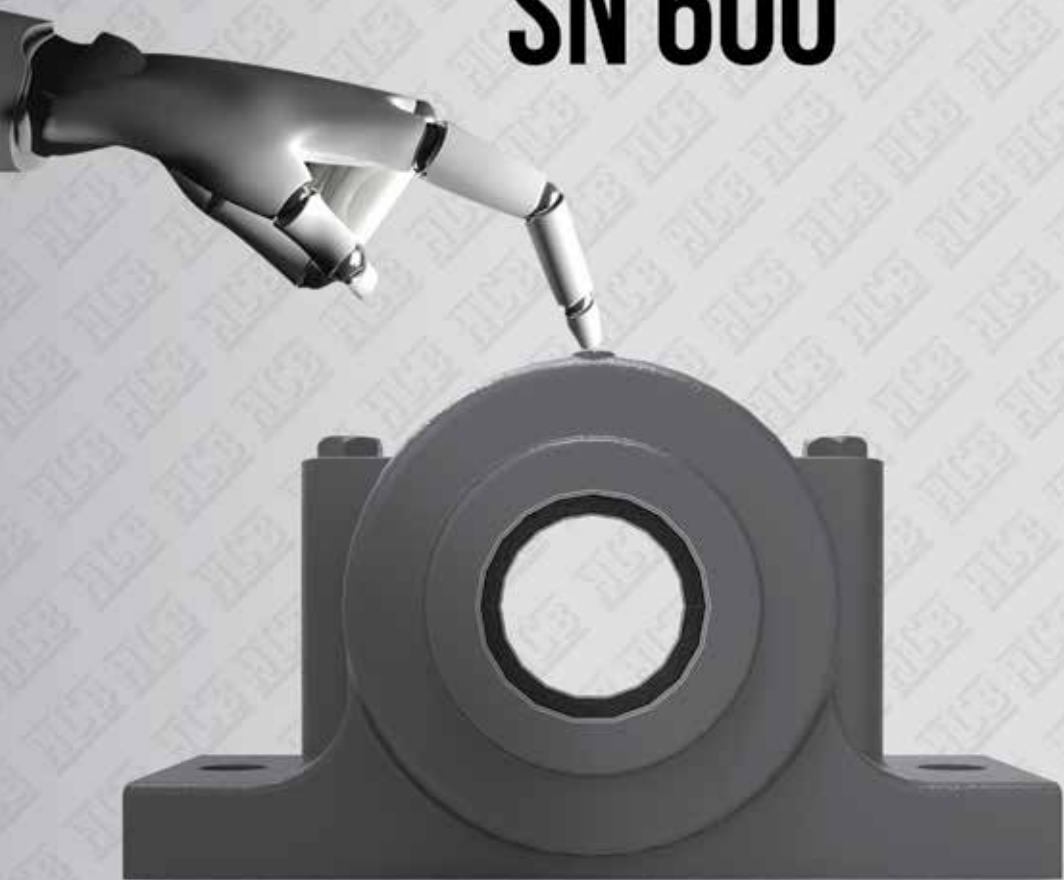


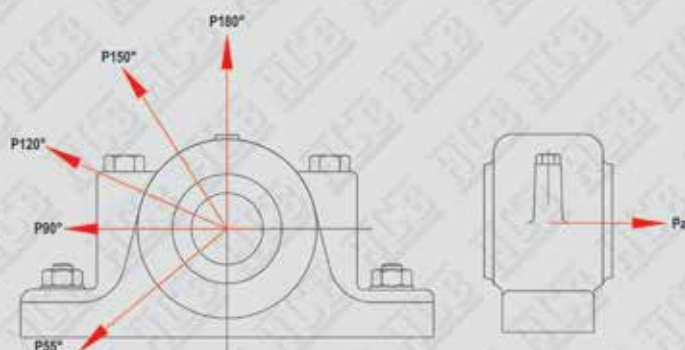
HOUSING	DIMENSIONS														
	Dc	C _a	L	J	J ₁	H	H ₁	H ₂	A	A ₁	A ₂	N	N ₁	G	Kg
FSNH 520	180	70	380	320	60	215	112	40	110	160	178	24	18	16	20,4
FSNH 620	215	86	410	350	70	271	140	45	120	185	199	24	18	16	32,6
FSNH 522	200	80	410	350	70	239	125	45	120	175	191	24	18	16	25,8
FSNH 524	215	86	410	350	70	271	140	45	120	185	199	24	18	16	32,6
FSNH 526	230	90	445	380	70	290	150	50	130	190	208	28	22	20	40,2
FSNH 528	250	98	500	420	80	302	150	50	150	205	233	32	26	24	50,8
FSNH 530	270	106	530	450	90	323	160	60	160	220	241	32	26	24	59,7
FSNH 532	290	114	550	470	90	344	170	60	160	235	254	32	26	24	69



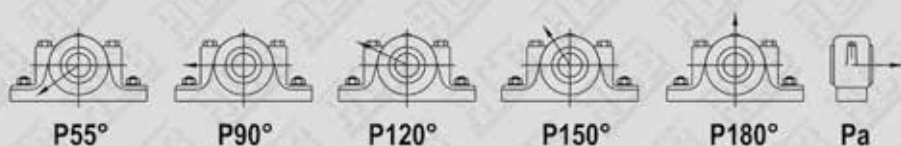
SN 200 - 300

SN 600

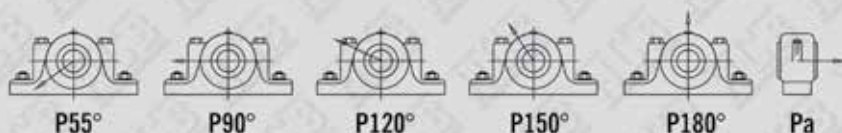




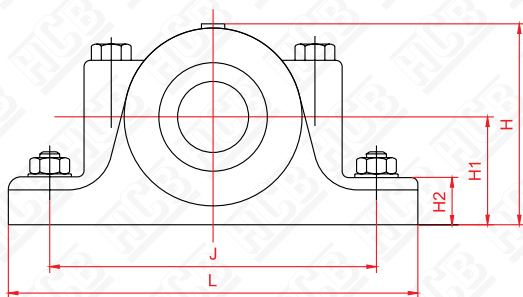
Housing		Breaking loads				
Size	P _{55°}	P _{90°}	P _{120°}	P _{150°}	P _{180°}	P _a
-	kN	kN	kN	kN	kN	kN
SN 205	70	40	30	30	35	25
SN 206	80	50	35	30	40	27
SN 207	90	55	40	35	45	30
SN 208	100	60	45	40	50	35
SN 209	110	65	50	45	55	40
SN 210	120	70	55	50	60	45
SN 211	140	85	65	55	70	50
SN 212	150	90	65	60	75	55
SN 213	170	100	75	70	85	65
SN 215	190	110	85	75	95	70
SN 216	220	130	100	90	110	85
SN 217	240	140	110	95	120	90
SN 218	260	160	120	100	130	95
SN 219	280	170	130	110	140	100
SN 220	340	200	150	140	170	125
SN 222	440	260	200	180	220	150
SN 224	520	310	230	210	260	175
SN 226	620	370	280	250	310	210
SN 228	720	430	320	290	360	250
SN 230	860	520	390	340	430	280
SN 232	1100	660	490	440	550	375



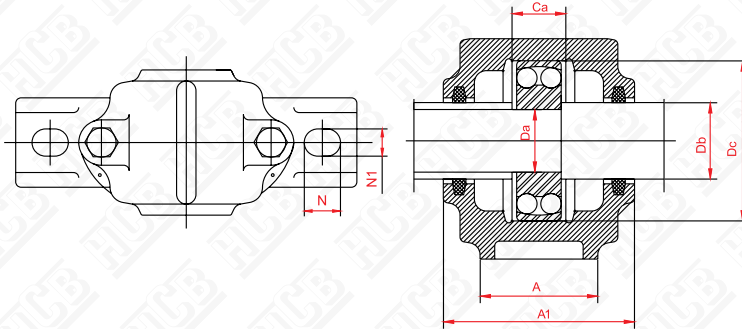
Housing		Breaking loads				
Size	P55°	P90°	P120°	P150°	P180°	P _a
	<i>kN</i>	<i>kN</i>	<i>kN</i>	<i>kN</i>	<i>kN</i>	<i>kN</i>
SN 307	100	60	45	40	50	35
SN 308	120	70	55	50	60	45
SN 309	140	85	65	55	70	50
SN 310	150	90	65	60	75	55
SN 311	170	100	75	70	85	65
SN 312	190	110	85	75	95	70
SN 313	220	130	100	90	110	85
SN 314	240	140	110	95	120	90
SN 315	260	160	120	100	130	95
SN 316	280	170	130	110	140	100
SN 317	340	200	150	140	170	125
SN 318	400	230	180	160	200	135
SN 319	440	260	200	180	220	150
SN 320	520	310	230	210	260	175
SN 322	670	400	300	270	335	230
SN 324	800	580	370	320	400	270
SN 326	1000	610	460	400	510	340
SN 328	1150	740	535	460	590	390
SN 330	1320	845	620	525	675	445
SN 332	1500	950	700	590	765	500



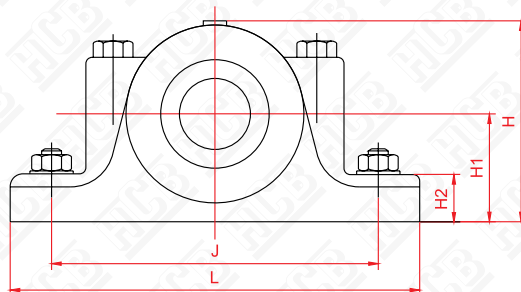
Housing	Breaking loads					
Size	P55°	P90°	P120°	P150°	P180°	P _a
	<i>kN</i>	<i>kN</i>	<i>kN</i>	<i>kN</i>	<i>kN</i>	<i>kN</i>
SN 605	80	50	35	30	40	27
SN 606	90	55	40	35	45	30
SN 607	100	60	45	40	50	35
SN 608	120	70	55	50	60	45
SN 609	140	85	65	55	70	50
SN 610	150	90	65	60	75	55
SN 611	170	100	75	70	85	65
SN 612	190	110	85	75	95	70
SN 613	220	130	100	90	110	85
SN 615	260	160	120	100	130	95
SN 616	280	170	130	110	140	100
SN 617	340	200	150	140	170	125
SN 618	400	230	180	160	200	135
SN 619	440	260	200	180	220	150
SN 620	520	310	230	210	260	175
SN 622	670	400	300	270	335	230
SN 624	800	580	370	320	400	270
SN 626	1000	610	460	400	510	340
SN 628	1150	740	535	460	590	390
SN 630	1320	845	620	525	675	445
SN 632	1500	950	700	590	765	500



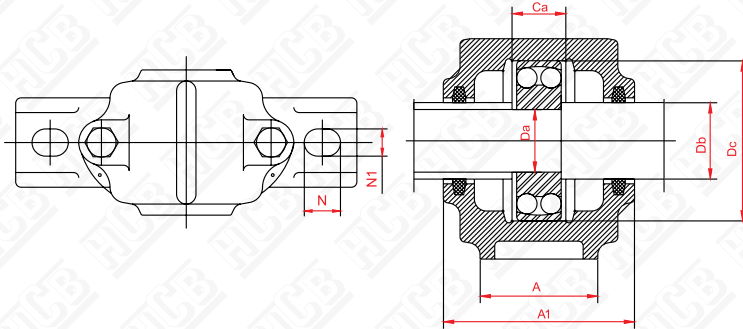
SHAFT		HOUSING	BEARING	LOCATING RING	SEALS
Da	Db				
25	30	SN 205	1205	2 frb 5/52	2 FS 110
			2205	2 frb 3.5/52	
			22205	2 frb 3.5/52	
30	35	SN 206	1206	2 frb 8/62	2 FS 190
			2206	2 frb 6/62	
			22206	2 frb 6/62	
35	45	SN 207	1207	2 frb 8.5/72	2 FS 190
			2207	2 frb 5.5/72	
			22207	2 frb 5.5/72	
40	50	SN 208	1208	2 frb 10.5/80	2 FS 190
			2208	2 frb 8/80	
			22208	2 frb 8/80	
45	55	SN 209	1209	2 frb 5.5/85	2 FS 190
			2209	2 frb 3.5/85	
			22209	2 frb 3.5/85	
50	60	SN 210	1210	2 frb 10.5/90	2 FS 190
			2210	2 frb 9/90	
			22210	2 frb 9/90	
55	65	SN 211	1211	2 frb 11.5/100	2 FS 260
			2211	2 frb 9.5/100	
			22211	2 frb 9.5/100	
60	70	SN 212	1212	2 frb 13/110	2 FS 260
			2212	2 frb 10/110	
			22212	2 frb 10/110	
65	75	SN 213	1213	2 frb 14/120	2 FS 260
			2213	2 frb 10/120	
			22213	2 frb 10/120	
70	80	SN 214	1214	2 frb 10/125	2 FS 260
			2214	2 frb 13/125	
			22214	2 frb 13/125	
75	85	SN 215	1215	2 frb 15.5/130	2 FS 260
			2215	2 frb 12.5/130	
			22215	2 frb 12.5/130	



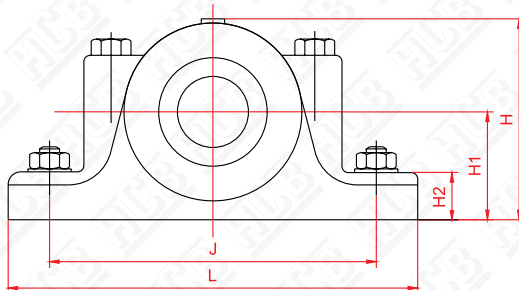
HOUSING	DIMENSIONS											
	Dc	Ca	L	J	H	H ₁	H ₂	A	A ₁	N	N ₁	Kg
SN 205	52	25	165	130	74	40	19	46	67	20	15	1,3
SN 206	62	32	185	150	89	50	22	52	77	20	15	1,8
SN 207	72	34	185	150	93	50	22	52	82	20	15	1,8
SN 208	80	39	205	170	107	60	25	60	85	20	15	2,5
SN 209	85	30	205	170	109	60	25	60	85	20	15	2,7
SN 210	90	41	205	170	113	60	25	60	90	20	15	2,8
SN 211	100	44	255	210	127	70	28	70	95	24	18	3,9
SN 212	110	48	255	210	133	70	30	70	105	24	18	4,5
SN 213	120	51	275	230	148	80	30	80	110	24	18	5,7
SN 214	125	44	275	230	154	80	30	80	115	24	18	6
SN 215	130	56	280	230	154	80	30	80	115	24	18	7,8



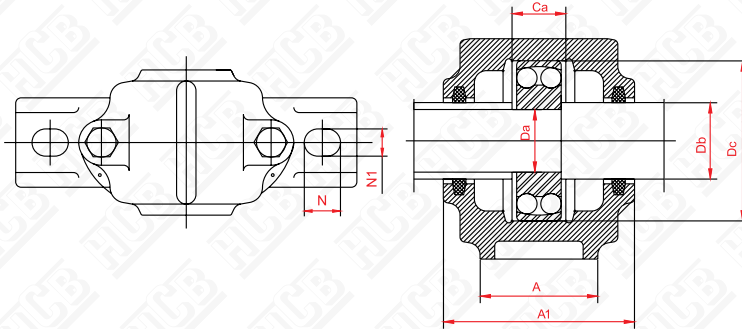
SHAFT		HOUSING	BEARING	LOCATING RING	SEALS
Da	Db				
80	90	SN 216	1216	2 frb 16/140	2 FS 330
			2216	2 frb 12.5/140	
			22216	2 frb 12.5/140	
85	95	SN 217	1217	2 frb 16.5/150	2 FS 330
			2217	2 frb 12.5/150	
			22217	2 frb 12.5/150	
90	100	SN 218	1218	2 frb 17.5/160	2 FS 330
			2218	2 frb 12.5/160	
			22218	2 frb 12.5/160	
95	110	SN 219	1219	2 frb 18/170	2 FS 370
			2219	2 frb 12.5/170	
			22219	2 frb 12.5/170	
100	115	SN 220	1220	2 frb 18/180	2 FS 370
			2220	2 frb 12/180	
			22220	2 frb 12/180	
			23220	2 frb 4.85/180	
110	125	SN 222	1222	2 frb 21/200	2 FS 460
			2222	2 frb 13.5/200	
			22222	2 frb 13.5/200	
			23222	2 frb 5.1/200	
120	135	SN 224	1224	2 frb 22/215	2 FS 460
			22224	2 frb 14/215	
			23224	2 frb 5/215	
130	145	SN 226	1226	2 frb 22/230	2 FS 460
			22226	2 frb 13/230	
			23226	2 frb 5/230	
140	155	SN 228	22228	2 frb 15/250	2 FS 510
			23228	2 frb 5/250	
150	165	SN 230	22230	2 frb 16.5/270	2 FS 510
			23230	2 frb 5/270	
160	175	SN 232	22232	2 frb 17/290	2 FS 680
			23232	2 frb 5/290	



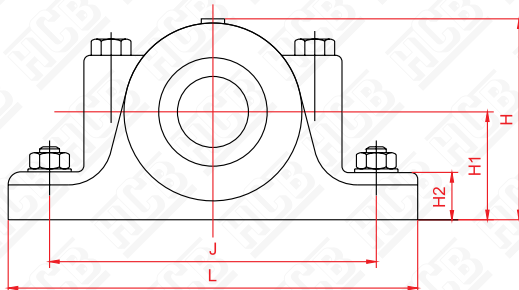
HOUSING	DIMENSIONS											
	Dc	C _a	L	J	H	H ₁	H ₂	A	A ₁	N	N ₁	Kg
SN 216	140	58	315	260	175	95	32	90	120	28	22	8,9
SN 217	150	61	320	260	183	95	32	90	125	28	22	9,7
SN 218	160	65	345	290	193	100	35	100	140	28	22	12,8
SN 219	170	68	345	290	210	112	35	100	145	28	22	14,4
SN 220	180	70	380	320	215	112	40	110	160	32	26	17
SN 222	200	80	410	350	239	125	45	120	175	32	26	21,3
SN 224	215	86	410	350	271	140	45	120	185	32	26	30,5
SN 226	230	90	445	380	290	150	50	130	190	35	28	35,3
SN 228	250	98	500	420	302	150	50	150	205	42	35	45,8
SN 230	270	106	530	450	323	160	60	160	220	42	35	52
SN 232	290	114	550	470	344	170	60	160	235	42	35	58



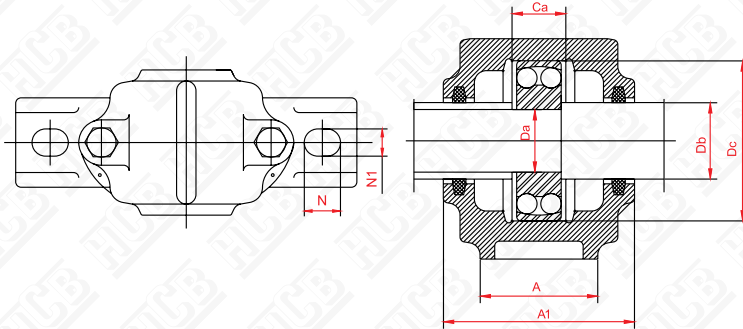
SHAFT		HOUSING	BEARING	LOCATING RING	SEALS
Da	Db				
35	45	SN 307	1307	2 frb 9/80	2 FS 110
			2307	2 frb 4/80	
			21307	2 frb 9/80	
40	50	SN 308	1308	2 frb 9/90	2 FS 190
			2308	2 frb 4/90	
			21308	2 frb 9/90	
45	55	SN 309	1309	2 frb 9.5/100	2 FS 190
			2309	2 frb 4/100	
			21309	2 frb 9.5/100	
50	60	SN 310	1310	2 frb 10.5/110	2 FS 190
			2310	2 frb 4/110	
			21310	2 frb 10.5/110	
55	65	SN 311	1311	2 frb 11/120	2 FS 260
			2311	2 frb 4/120	
			21311	2 frb 11/120	
			22311	2 frb 4/120	
60	70	SN 312	1312	2 frb 12.5/130	2 FS 260
			2312	2 frb 5/130	
			21312	2 frb 12.5/130	
			22312	2 frb 5/130	
65	75	SN 313	1313	2 frb 12.5/140	2 FS 260
			2313	2 frb 5/140	
			21313	2 frb 12.5/140	
			22313	2 frb 5/140	
70	80	SN 314	1314	2 frb 13/150	2 FS 260
			2314	2 frb 5/150	
			21314	2 frb 13/150	
			22314	2 frb 5/150	
75	85	SN 315	1315	2 frb 14/160	2 FS 260
			2315	2 frb 5/160	
			21315	2 frb 14/160	
			22315	2 frb 5/160	



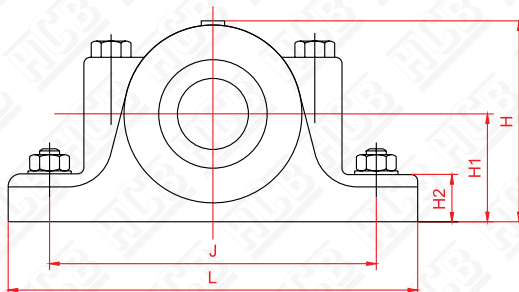
HOUSING	DIMENSIONS											Kg
	Dc	Ca	L	J	H	H ₁	H ₂	A	A ₁	N	N ₁	
SN 307	80	39	205	170	107	60	25	60	85	20	15	3,2
SN 308	90	41	205	170	113	60	25	60	90	20	15	3,3
SN 309	100	44	255	210	127	70	28	70	95	24	18	4,8
SN 310	110	48	255	210	133	70	30	70	105	24	18	5,3
SN 311	120	51	275	230	148	80	30	80	110	24	18	6,5
SN 312	130	56	280	230	154	80	30	80	115	24	18	7,1
SN 313	140	58	315	260	175	95	32	90	120	28	22	9
SN 314	150	61	320	260	183	95	32	90	125	28	22	11,7
SN 315	160	65	345	290	193	100	35	100	140	28	22	11,8



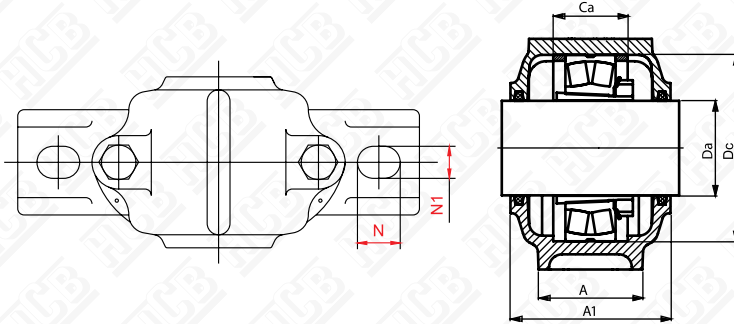
SHAFT		HOUSING	BEARING	LOCATING RING	SEALS
Da	Db				
80	90	SN 316	1316	2 frb 14.5/170	2 FS 330
			2316	2 frb 5/170	
			21316	2 frb 14.5/170	
			22316	2 frb 5/170	
85	95	SN 317	1317	2 frb 14.5/180	2 FS 330
			2317	2 frb 5/180	
			21317	2 frb 14.5/180	
			22317	2 frb 5/180	
90	105	SN 318	1318	2 frb 15.5/190	2 FS 330
			2318	2 frb 5/190	
			21318	2 frb 15.5/190	
			22318	2 frb 5/190	
95	110	SN 319	1319	2 frb 17.5/200	2 FS 330
			2319	2 frb 6.5/200	
			21319	2 frb 17.5/200	
			22319	2 frb 6.5/200	
100	115	SN 320	1320	2 frb 19.5/215	2 FS 370
			2320	2 frb 6.5/215	
			21320	2 frb 19.5/215	
			22320	2 frb 6.5/215	
110	125	SN 322	20322	2 frb 20/240	2 FS 460
			21322	2 frb 18/240	
			22322	1 frb 10/240	
120	135	SN 324	20324	2 frb 20.5/260	2 FS 460
			22324	1 frb 10/260	
130	150	SN 326	20326	2 frb 22.5/280	2 FS 460
			22326	1 frb 10/280	
140	160	SN 328	20328	2 frb 25/300	2 FS 510
			22328	1 frb 10/300	
150	170	SN 330	20330	2 frb 26.5/320	2 FS 510
			22330	1 frb 10/320	
160	180	SN 332	20332	2 frb 28/340	2 FS 680
			22332	1 frb 10/340	



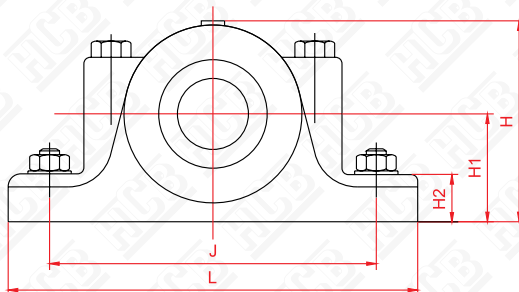
HOUSING	DIMENSIONS											
	Dc	Ca	L	J	H	H ₁	H ₂	A	A ₁	N	N ₁	Kg
SN 316	170	68	345	290	210	112	35	100	145	28	22	13,8
SN 317	180	70	380	320	215	112	40	110	160	32	26	17
SN 318	190	74	380	320	229	112	40	110	155	32	26	18
SN 319	200	80	410	350	239	125	45	120	175	32	26	22,7
SN 320	215	86	410	350	271	140	45	120	185	32	26	28,3
SN 322	240	90	450	390	295	150	50	130	190	35	28	31
SN 324	260	96	530	450	320	160	60	160	200	42	35	48
SN 326	280	103	550	470	340	170	60	160	210	42	35	56
SN 328	300	112	620	520	367	180	65	170	235	42	35	72
SN 330	320	118	650	560	385	190	65	180	245	42	35	98
SN 332	340	124	680	580	405	200	70	190	255	50	42	115



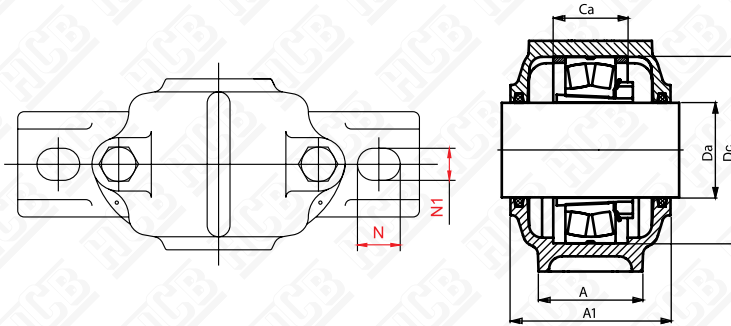
SHAFT Da	HOUSING	BEARING	LOCATING RING	SEALS
	2307 K	2 frb 4/80		
35	SN 608	1308 K	2 frb 9/90	2 FS 190
		2308 K	2 frb 4/90	
		21308 K	2 frb 9/90	
		22308 K	2 frb 4/90	
40	SN 609	1309 K	2 frb 9.5/100	2 FS 190
		2309 K	2 frb 4/100	
		21309 K	2 frb 9.5/100	
		22309 K	2 frb 4/100	
45	SN 610	1310 K	2 frb 10.5/110	2 FS 190
		2310 K	2 frb 4/110	
		21310 K	2 frb 10.5/110	
		22310 K	2 frb 4/110	
50	SN 611	1311 K	2 frb 11/120	2 FS 260
		2311 K	2 frb 4/120	
		21311 K	2 frb 11/120	
		22311 K	2 frb 4/120	
55	SN 612	1312 K	2 frb 12.5/130	2 FS 260
		2312 K	2 frb 5/130	
		21312 K	2 frb 12.5/130	
		22312 K	2 frb 5/130	
60	SN 613	1313 K	2 frb 12.5/140	2 FS 260
		2313 K	2 frb 5/140	
		21313 K	2 frb 12.5/140	
		22313 K	2 frb 5/140	
65	SN 615	1315 K	2 frb 14/160	2 FS 260
		2315 K	2 frb 5/160	
		21315 K	2 frb 14/160	
		22315 K	2 frb 5/160	



HOUSING	DIMENSIONS											
	Dc	C _a	L	J	H	H ₁	H ₂	A	A ₁	N	N ₁	Kg
SN 607	80	39	205	170	110	60	25	60	90	20	15	3,2
SN 608	90	41	205	170	115	60	25	60	90	20	15	3,5
SN 609	100	44	255	210	130	70	28	70	95	24	18	5
SN 610	110	48	255	210	135	70	30	70	105	24	18	5,5
SN 611	120	51	275	230	150	80	30	80	110	24	18	7
SN 612	130	56	280	230	154	80	30	80	115	24	18	7,3
SN 613	140	58	315	260	175	95	32	90	120	28	22	10
SN 615	160	65	345	290	192	100	35	100	140	28	22	11,5



SHAFT	HOUSING	BEARING	LOCATING RING	SEALS
Da				
70	SN 616	1316 K	2 frb 14.5/170	2 FS 330
		2316 K	2 frb 5/170	
		21316 K	2 frb 14.5/170	
		22316 K	2 frb 5/170	
75	SN 617	1317 K	2 frb 14.5/180	2 FS 330
		2317 K	2 frb 5/180	
		21317 K	2 frb 14.5/180	
		22317 K	2 frb 5/180	
80	SN 618	1318 K	2 frb 15.5/190	2 FS 330
		2318 K	2 frb 5/190	
		21318 K	2 frb 15.5/190	
		22318 K	2 frb 5/190	
85	SN 619	1319 K	2 frb 17.5/200	2 FS 330
		2319 K	2 frb 6.5/200	
		21319 K	2 frb 17.5/200	
		22319 K	2 frb 6.5/200	
90	SN 620	1320 K	2 frb 19.5/215	2 FS 370
		2320 K	2 frb 6.5/215	
		21320 K	2 frb 19.5/215	
		22320 K	2 frb 6.5/215	
100	SN 622	20322 K	2 frb 20/240	2 FS 460
		21322 K	2 frb 18/240	
		22322 K	2 frb 10/240	
110	SN 624	20324 K	2 frb 20,5/260	2 FS 460
		22324 K	2 frb 10/260	
115	SN 626	20326 K	2 frb 22.5/280	2 FS 460
		22326 K	2 frb 10/280	
125	SN 628	20328 K	2 frb 25/300	2 FS 510
		22328 K	2 frb 10/300	
135	SN 630	20330 K	2 frb 26.5/320	2 FS 510
		22330 K	2 frb 10/320	
140	SN 632	20332 K	2 frb 28/340	2 FS 680
		22332 K	2 frb 10/340	

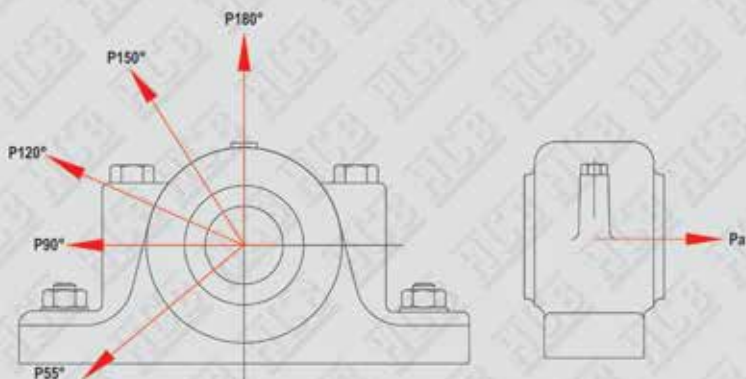


HOUSING	DIMENSIONS											Kg
	Dc	C _a	L	J	H	H ₁	H ₂	A	A ₁	N	N ₁	
SN 616	170	68	345	290	210	112	35	100	145	28	22	14
SN 617	180	70	380	320	215	112	40	110	155	32	26	17,5
SN 618	190	74	380	320	220	112	40	110	160	32	26	18
SN 619	200	80	410	350	240	125	45	120	170	32	26	23,5
SN 620	215	86	410	350	270	140	45	120	175	32	26	30
SN 622	240	90	450	390	295	150	50	130	190	35	28	37,8
SN 624	260	96	530	450	320	160	60	160	200	42	35	52,5
SN 626	280	103	550	470	340	170	60	160	210	42	35	58
SN 628	300	112	620	520	367	180	65	170	235	42	35	69,5
SN 630	320	118	650	560	385	190	65	180	245	42	35	82,5
SN 632	340	124	680	580	405	200	70	190	255	50	42	85

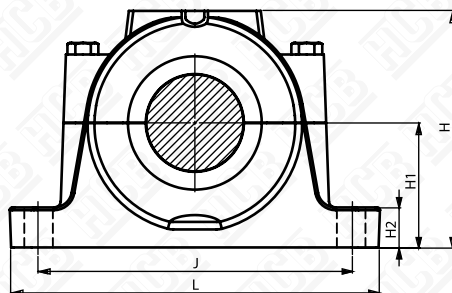


SN 500

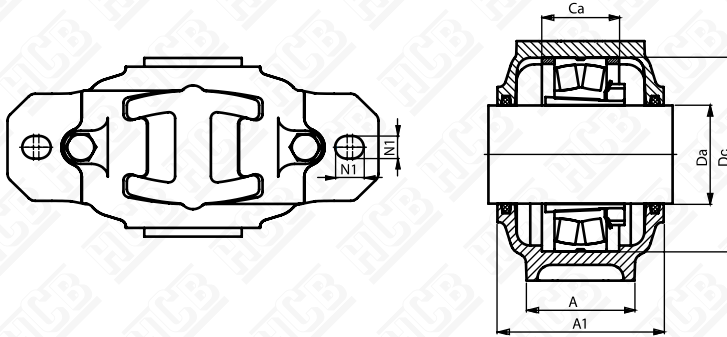




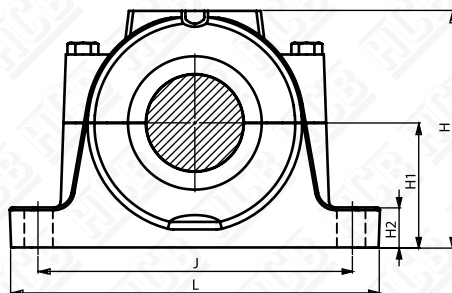
Housing		Breaking Loads				
Size	P _{55°}	P _{90°}	P _{120°}	P _{150°}	P _{180°}	P _a
	<i>kN</i>	<i>kN</i>	<i>kN</i>	<i>kN</i>	<i>kN</i>	<i>kN</i>
SN 505	70	40	30	30	35	25
SN 506	80	50	35	30	40	27
SN 507	90	55	40	35	45	30
SN 508	100	60	45	40	50	35
SN 509	110	65	50	45	55	40
SN 510	120	70	55	50	60	45
SN 511	140	85	65	55	70	50
SN 512	150	90	65	60	75	55
SN 513	170	100	75	70	85	65
SN 515	190	110	85	75	95	70
SN 516	220	130	100	90	110	85
SN 517	240	140	110	95	120	90
SN 518	260	160	120	100	130	95
SN 519	280	170	130	110	140	100
SN 520	340	200	150	140	170	125
SN 522	440	260	200	180	220	150
SN 524	520	310	230	210	260	175
SN 526	620	370	280	250	310	210
SN 528	720	430	320	290	360	250
SN 530	860	520	390	340	430	280
SN 532	1100	660	490	440	550	375



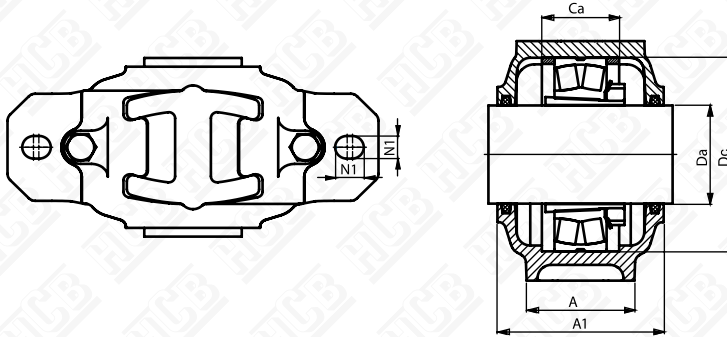
SHAFT	HOUSING	BEARING	LOCATING RING	SEALS
Da				
20	SN 505	1205 K	2 frb 5/52	2 FS 110
		2205 K	2 frb 3.5/52	
		22205 K	2 frb 3.5/52	
25	SN 506	1206 K	2 frb 8/62	2 FS 190
		2206 K	2 frb 6/62	
		22206 K	2 frb 6/62	
30	SN 507	1207 K	2 frb 8.5/72	2 FS 190
		2207 K	2 frb 5.5/72	
		22207 K	2 frb 5.5/72	
35	SN 508	1208 K	2 frb 10.5/80	2 FS 190
		2208 K	2 frb 8/80	
		22208 K	2 frb 8/80	
40	SN 509	1209 K	2 frb 5.5/85	2 FS 190
		2209 K	2 frb 3.5/85	
		22209 K	2 frb 3.5/85	
45	SN 510	1210 K	2 frb 10.5/90	2 FS 190
		2210 K	2 frb 9/90	
		22210 K	2 frb 9/90	
50	SN 511	1211 K	2 frb 11.5/100	2 FS 260
		2211 K	2 frb 9.5/100	
		22211 K	2 frb 9.5/100	
55	SN 512	1212 K	2 frb 13/110	2 FS 260
		2212 K	2 frb 10/110	
		22212 K	2 frb 10/110	
60	SN 513	1213 K	2 frb 14/120	2 FS 260
		2213 K	2 frb 10/120	
		22213 K	2 frb 10/120	
65	SN 515	1215 K	2 frb 15.5/130	2 FS 260
		2215 K	2 frb 12.5/130	
		22215 K	2 frb 12.5/130	



HOUSING	DIMENSIONS											Kg
	Dc	Ca	L	J	H	H ₁	H ₂	A	A ₁	N	N ₁	
SN 505	52	25	165	130	74	40	19	46	67	20	15	1,4
SN 506	62	32	185	150	89	50	22	52	77	20	15	2
SN 507	72	34	185	150	93	50	22	52	82	20	15	2,1
SN 508	80	39	205	170	107	60	25	60	85	20	15	2,8
SN 509	85	30	205	170	109	60	25	60	85	20	15	2,9
SN 510	90	41	205	170	113	60	25	60	90	20	15	3,1
SN 511	100	44	255	210	127	70	28	70	95	24	18	4,5
SN 512	110	48	255	210	133	70	30	70	105	24	18	4,9
SN 513	120	51	275	230	148	80	30	80	110	24	18	6,3
SN 515	130	56	280	230	154	80	30	80	110	24	18	7



SHAFT	HOUSING	BEARING	LOCATING RING	SEALS
Da				
70	SN 516	1216 K	2 frb 16/140	2 FS 330
		2216 K	2 frb 12.5/140	
		22216 K	2 frb 12.5/140	
75	SN 517	1217 K	2 frb 16.5/150	2 FS 330
		2217 K	2 frb 12.5/150	
		22217 K	2 frb 12.5/150	
80	SN 518	1218 K	2 frb 17.5/160	2 FS 330
		2218 K	2 frb 12.5/160	
		22218 K	2 frb 12.5/160	
85	SN 519	1219 K	2 frb 18/170	2 FS 370
		2219 K	2 frb 12.5/170	
		22219 K	2 frb 12.5/170	
90	SN 520	1220 K	2 frb 18/180	2 FS 370
		2220 K	2 frb 12/180	
		22220 K	2 frb 12/180	
		23220 K	2 frb 4.85/180	
100	SN 522	1222 K	2 frb 21/200	2 FS 460
		2222 K	2 frb 13.5/200	
		22222 K	2 frb 13.5/200	
		23222 K	2 frb 5.1/200	
110	SN 524	1224 K	2 frb 22/215	2 FS 460
		22224 K	2 frb 14/215	
		23224 K	2 frb 5/215	
115	SN 526	22226 K	2 frb 22/215	2 FS 460
		23226 K	2 frb 14/215	
125	SN 528	22228 K	2 frb 22/215	2 FS 510
		23228 K	2 frb 14/215	
135	SN 530	22230 K	2 frb 22/215	2 FS 510
		23230 K	2 frb 14/215	
140	SN 532	22232 K	2 frb 22/215	2 FS 680
		23232 K	2 frb 14/215	



HOUSING	DIMENSIONS											
	Dc	Ca	L	J	H	H ₁	H ₂	A	A ₁	N	N ₁	Kg
SN 516	140	58	315	260	175	95	32	80	115	28	22	9
SN 517	150	61	320	260	183	95	32	90	120	28	22	10,2
SN 518	160	65	345	290	193	100	35	90	125	28	22	13,1
SN 519	170	68	345	290	210	112	35	100	140	28	22	15,6
SN 520	180	70	380	320	215	112	40	110	160	32	26	17,5
SN 522	200	80	410	350	239	125	45	120	175	32	26	23,5
SN 524	215	86	410	350	270	140	45	120	185	32	26	28,5
SN 526	230	90	445	380	290	150	50	130	190	35	28	35
SN 528	250	98	500	420	302	150	50	150	205	42	35	43
SN 530	270	106	530	450	323	160	60	160	220	42	35	54,5
SN 532	290	114	550	470	345	170	60	160	235	42	35	58



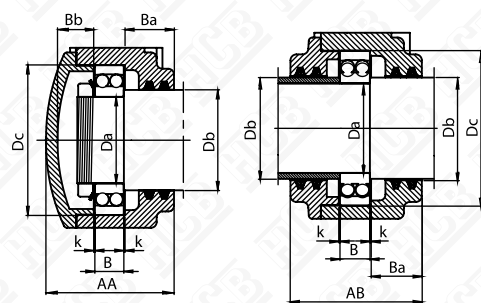
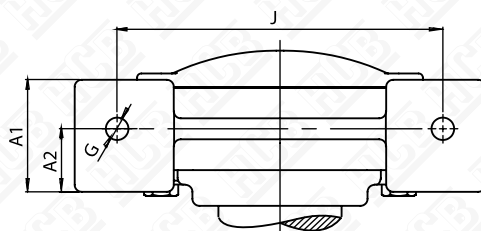
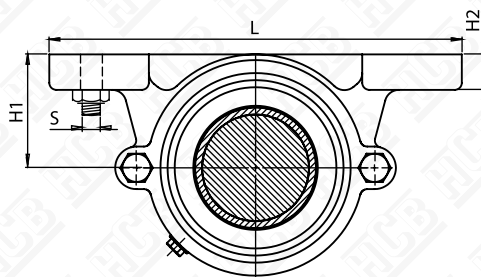
TVN 200-300





Housing Size	Breaking loads					
	P _{55°} kN	P _{90°} kN	P _{120°} kN	P _{150°} kN	P _{180°} kN	P _a kN
TVN 204	130	55	29	25	30	10
TVN 205	140	55	29	25	30	10
TVN 206	210	68	48	42	50	16
TVN 207	210	98	56	48	58	16
TVN 208	280	130	79	69	82	30
TVN 209	280	150	90	80	95	30
TVN 210	280	150	90	80	95	30
TVN 211	360	250	135	115	140	30
TVN 212	360	280	135	115	140	30
TVN 213	420	280	160	140	170	48
TVN 214	420	280	160	140	170	48
TVN 215	580	290	180	160	190	48
TVN 216	580	290	180	160	190	48
TVN 217	580	290	180	160	190	48
TVN 218	630	390	240	210	250	75
TVN 305	210	68	48	42	50	16
TVN 306	210	98	56	48	58	16
TVN 307	280	130	79	69	82	30
TVN 308	280	150	90	80	95	30
TVN 309	360	250	135	115	140	30
TVN 310	360	250	135	115	140	30
TVN 311	420	280	160	140	170	48
TVN 312	420	280	160	140	170	48
TVN 313	580	290	180	160	190	48
TVN 314	580	290	180	160	190	48
TVN 315	630	390	240	210	250	75

SHAFT		HOUSING FOR SHAFT END	HOUSING FOR THROUGH SHAFT	BEARING	SEALS
Da	Db				
20	25	TVN 204 A	TVN 204 B	1204	FS 190
25	30	TVN 205 A	TVN 205 B	1205	FS 190
30	35	TVN 206 A	TVN 206 B	1206	FS 190
35	45	TVN 207 A	TVN 207 B	1207	FS 190
40	50	TVN 208 A	TVN 208 B	1208	FS 260
45	55	TVN 209 A	TVN 209 B	1209	FS 260
50	60	TVN 210 A	TVN 210 B	1210	FS 260
55	65	TVN 211 A	TVN 211 B	1211	FS 260
60	70	TVN 212 A	TVN 212 B	1212	FS 330
65	75	TVN 213 A	TVN 213 B	1213	FS 330
70	80	TVN 214 A	TVN 214 B	1214	FS 330
75	85	TVN 215 A	TVN 215 B	1215	FS 330
80	90	TVN 216 A	TVN 216 B	1216	FS 330
85	95	TVN 217 A	TVN 217 B	1217	FS 330
90	100	TVN 218 A	TVN 218 B	1218	FS 330

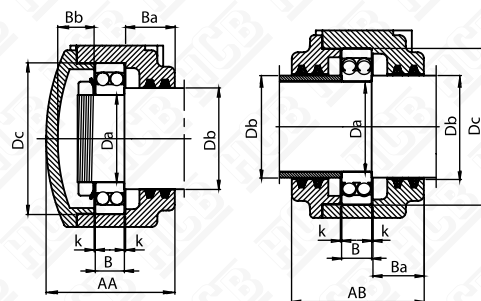
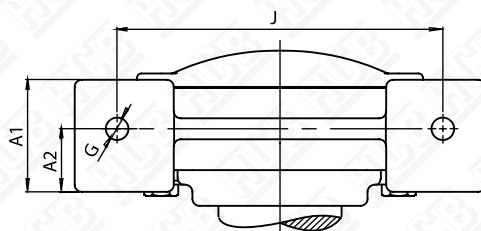
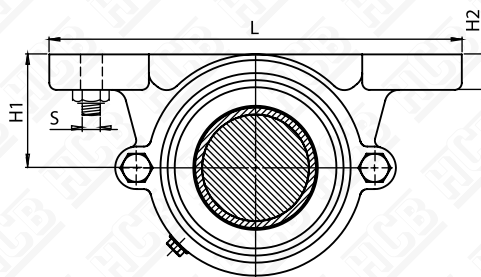


TVN - A

TVN - B

HOUSING	DIMENSIONS															
	Dc	B	L	J	H ₁	H ₂	A1	A2	G	AA	AB	Ba	Bb	k	Kg	
TVN 204	47	14	150	110	35	14	45	25	12	62	68	21,5	17	1	1,2	
TVN 205	52	15	170	130	40	16	45	25	12	63	71	22,5	17,5	1	1,4	
TVN 206	62	16	190	150	50	16	52	30	12	71	76	25	21	1	2,2	
TVN 207	72	17	190	150	50	18	52	30	12	77	78	25,5	23	1	2,6	
TVN 208	80	18	210	170	60	18	60	35	12	86	92	30,5	27,5	1	3,7	
TVN 209	85	19	210	170	60	20	60	35	12	87	92	30	29	1	4	
TVN 210	90	20	210	170	60	20	60	35	12	90	94	32,5	29,5	1	4,2	
TVN 211	100	21	270	210	70	23	70	40	16	95	100	32,5	31	1	6,2	
TVN 212	110	22	270	210	70	23	70	40	16	102	105	36	32	1	6,7	
TVN 213	120	23	290	230	80	25	80	45	16	110	115	36,5	35	1	9,1	
TVN 214	125	24	290	230	80	25	80	45	16	111	115	37	36,5	1	9,4	
TVN 215	130	25	290	230	80	25	80	45	16	115	117	38,5	38	1	9,9	
TVN 216	140	26	330	260	95	28	90	50	20	122	127	42,5	38	1	13,5	
TVN 217	150	28	330	260	95	28	90	50	20	126	129	43	38,5	1	14	
TVN 218	160	30	360	290	100	30	100	55	20	136	139	46	41,5	1	18,5	

SHAFT		HOUSING FOR SHAFT END	HOUSING FOR THROUGH SHAFT	BEARING	SEALS
Da	Db				
25	30	TVN 305 A	TVN 305 B	1305	FS 190
				21305	
30	35	TVN 306 A	TVN 306 B	1306	FS 190
				21306	
35	45	TVN 307 A	TVN 307 B	1307	FS 190
				21307	
40	50	TVN 308 A	TVN 308 B	1308	FS 260
				21308	
45	55	TVN 309 A	TVN 309 B	1309	FS 260
				21309	
50	60	TVN 310 A	TVN 310 B	1310	FS 260
				21310	
55	65	TVN 311 A	TVN 311 B	1311	FS 260
				21311	
60	70	TVN 312 A	TVN 312 B	1312	FS 330
				21312	
65	75	TVN 313 A	TVN 313 B	1313	FS 330
				21313	
70	80	TVN 314 A	TVN 314 B	1314	FS 330
				21314	
75	85	TVN 315 A	TVN 315 B	1315	FS 330
				21315	



TVN - A

TVN - B

HOUSING	DIMENSIONS														
	Dc	B	L	J	H ₁	H ₂	A1	A2	G	AA	AB	Ba	Bb	k	Kg
TVN 305	62	17	190	150	50	16	52	30	12	71	76	26,5	23	1	2,3
TVN 306	72	19	190	150	50	18	52	30	12	77	78	27,5	25	1	2,6
TVN 307	80	21	210	170	60	18	60	35	12	86	92	31,5	28	1	3,9
TVN 308	90	23	210	170	60	20	60	35	12	90	94	32,5	29	1	4,2
TVN 309	100	25	270	210	70	23	70	40	16	95	100	32,5	31	1	6,3
TVN 310	110	27	270	210	70	23	70	40	16	102	105	36,5	32	1	6,9
TVN 311	120	29	290	230	80	25	80	45	16	110	115	37,5	36	1	9,3
TVN 312	130	31	290	230	80	25	80	45	16	115	117	38,5	38	1	10
TVN 313	140	33	330	260	95	28	90	50	20	122	127	42,5	38	1	13,5
TVN 314	150	35	330	260	95	28	90	50	20	126	129	43,5	39	1	14
TVN 315	160	37	360	290	100	30	100	55	20	136	139	47,5	43	1	18,5



722500

{with felt seals}

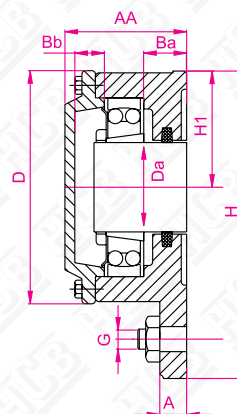
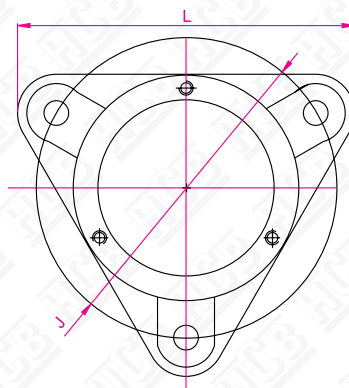
FNH500

{with double-lip seals}

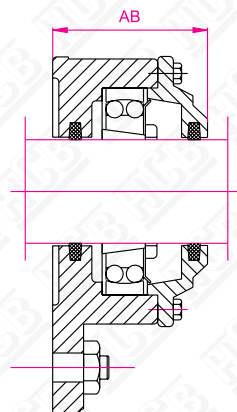


Housing Size	Breaking loads		
	P ₀ KN	P ₆₀ KN	P ₁₈₀ KN
722505	50	40	80
722506	60	45	85
722507	70	50	90
722508	80	55	95
722509	90	60	100
722510	100	65	105
722511	110	80	110
722512	120	95	115
722513	130	110	190
722515	140	125	265
722516	150	140	340
722517	160	155	415
722518	170	170	490
722520	180	185	565
722522	190	200	640

SHAFT	HOUSING FOR SHAFT END	HOUSING FOR THROUGH SHAFT	BEARING	LOCATING RING	SEALS
Da					
20	722505 A	722505 B	1205 K	FRB 5/52	FS 110
			2205 K	-	
25	722506 A	722506 B	1206 K	FRB 6/62	FS 190
			2206 K	-	
30	722507 A	722507 B	1207 K	FRB 8/72	FS 190
			22207 K	-	
35	722508 A	722508 B	1208 K	FRB 7/80	FS 190
			2208 K	-	
			22208 K	-	
40	722509 A	722509 B	1209 K	FRB 6/85	FS 190
			22209 K	-	
45	722510 A	722510 B	1210 K	FRB 5/90	FS 190
			2210 K	-	
			22210 K	-	
50	722511 A	722511 B	1211 K	FRB 6/100	FS 260
			2211 K	-	
			22211 K	-	
55	722512 A	722512 B	1212 K	FRB 8/110	FS 260
			2212 K	-	
			22212 K	-	
60	722513 A	722513 B	1213 K	FRB 10/120	FS 260
			2213 K	FRB 2/120	
			22213 K	FRB 2/120	



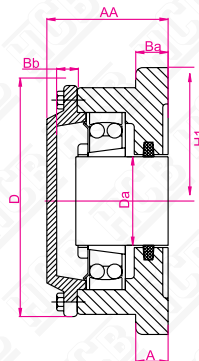
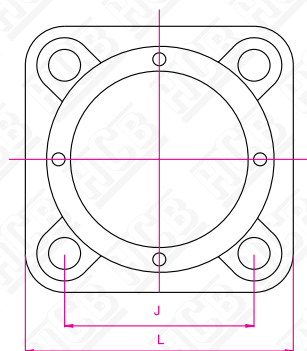
722500DA



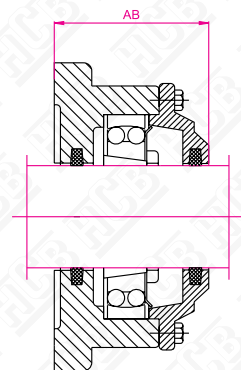
722500DB

HOUSING	DIMENSIONS										
	L	J	H	H ₁	AA	AB	a	ba	bb	D	Kg
722505	110	96	100	38	51.5	56.5	10	15	12.5	75	1,3
722506	130	116	117	44	57	59.5	12	16	15	86	1,7
722507	140	130	130	48.5	59.5	63.5	12	16	14.5	97	2
722508	160	140	143	54	64	65.5	12	17	18	108	2,3
722509	180	160	160	60	64.5	69.5	12	19	16.5	113	3,3
722510	180	160	160	60	68.5	73	15	22	17.5	118	3,3
722511	192	170	172	65	75.5	81.5	15	24	19.5	128	4,5
722512	210	180	189	72	77	82	15	23	19	142	5,4
722513	225	190	203	78	80	86	15	22	20	152	6,1

SHAFT	HOUSING FOR SHAFT END	HOUSING FOR THROUGH SHAFT	BEARING	LOCATING RING	SEALS
Da					
65	722515 A	722515 B	1215 K	2frb 8/130	FS 260
			2215 K	1frb 10/130	
			22215 K	1frb 10/130	
70	722516 A	722516 B	1216 K	2frb 8.5/140	FS 330
			2216 K	1frb 10/140	
			22216 K	1frb 10/140	
75	722517 A	722517 B	1217 K	2frb 9/150	FS 330
			2217 K	1frb 10/150	
			22217 K	1frb 10/150	
80	722518 A	722518 B	1218 K	2frb 10/160	FS 330
			2218 K	1frb 10/160	
			22218 K	1frb 10/160	
90	722520 A	722520 B	1220 K	1frb 10/180	FS 370
				1frb 12/180	
			2220 K	1frb 10/180	
			22220 K	1frb 10/180	
100	722522 A	722522 B	1222 K	2frb 12.5/200	FS 460
			2222 K	1frb 10/200	
			22222 K	1frb 10/200	



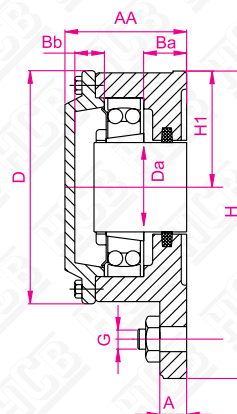
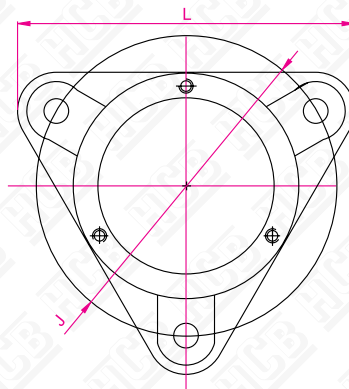
722500DA



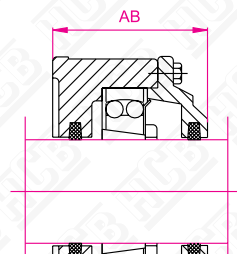
722500DB

HOUSING	DIMENSIONS									
	L	J	H ₁	AA	AB	a	ba	bb	D	Kg
722515	190	152	95	104	104	25	30	27	168	9,9
722516	196	152	98	110	110	25	31	30	176	10,3
722517	210	170	105	114	114	25	31	30	188	12,3
722518	210	170	105	118	118	25	30	31	198	13,2
722520	250	198	125	127	127	30	30	33	224	19,6
722522	270	219	135	137	137	30	30	38	246	23

SHAFT	HOUSING FOR SHAFT END	HOUSING FOR THROUGH SHAFT	BEARING	LOCATING RING	LIP SEALS
Da					
20	FNH505 A	FNH505 B	1205 K	FRB 5/52	FN505
			2205 K	-	
25	FNH506 A	FNH506 B	1206 K	FRB 6/62	FN506
			2206 K	-	
30	FNH507 A	FNH507 B	1207 K	FRB 8/72	FN507
			22207 K	-	
35	FNH508 A	FNH508 B	1208 K	FRB 7/80	FN508
			2208 K	-	
			22208 K	-	
40	FNH509 A	FNH509 B	1209 K	FRB 6/85	FN509
			22209 K	-	
45	FNH510 A	FNH510 B	1210 K	FRB 5/90	FN510
			2210 K	-	
			22210 K	-	
50	FNH511 A	FNH511 B	1211 K	FRB 6/100	FN511
			22211 K	-	
55	FNH512 A	FNH512 B	1212 K	FRB 8/110	FN512
			2212 K	-	
			22212 K	-	
60	FNH513 A	FNH513 B	1213 K	FRB 10/120	FN513
			2213 K	FRB 2/120	
			22213 K	FRB 2/120	



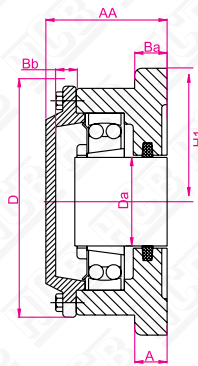
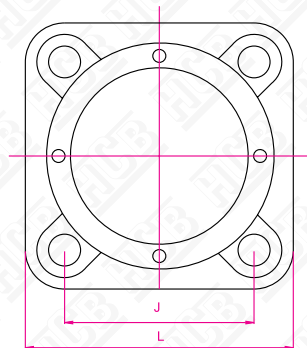
FNH500DA



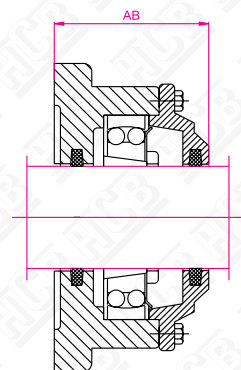
FNH500DB

HOUSING	DIMENSIONS										
	L	J	H	H ₁	AA	AB	a	ba	bb	D	Kg
FNH505	110	96	100	38	51.5	56.5	10	15	12.5	75	1,3
FNH506	130	116	117	44	57	59.5	12	16	15	86	1,7
FNH507	140	130	130	48.5	59.5	63.5	12	16	14.5	97	2
FNH508	160	140	143	54	64	65.5	12	17	18	108	2,3
FNH509	180	160	160	60	64.5	69.5	12	19	16.5	113	3,3
FNH510	180	160	160	60	68.5	73	15	22	17.5	118	3,3
FNH511	192	170	172	65	75.5	81.5	15	24	19.5	128	4,5
FNH512	210	180	189	72	77	82	15	23	19	142	5,4
FNH513	225	190	203	78	80	86	15	22	20	152	6,1

SHAFT	HOUSING FOR SHAFT END	HOUSING FOR THROUGH SHAFT	BEARING	LOCATING RING	LIP SEALS
Da					
65	FNH515 A	FNH515 B	1215 K	2frb 8/130	FN 515
			2215 K	1frb 10/130	
			22215 K	1frb 10/130	
70	FNH516 A	FNH516 B	1216 K	2frb 8.5/140	FN 516
			2216 K	1frb 10/140	
			22216 K	1frb 10/140	
75	FNH517 A	FNH517 B	1217 K	2frb 9/150	FN 517
			2217 K	1frb 10/150	
			22217 K	1frb 10/150	
80	FNH518 A	FNH518 B	1218 K	2frb 10/160	FN 518
			2218 K	1frb 10/160	
			22218 K	1frb 10/160	
90	FNH520 A	FNH520 B	1220 K	1frb 10/180	FN 520
				1frb 12/180	
			2220 K	1frb 10/180	
			22220 K	1frb 10/180	
100	FNH522 A	FNH522 B	1222 K	2frb 12.5/200	FN 522
			2222 K	1frb 10/200	
			22222 K	1frb 10/200	



FNH500DA

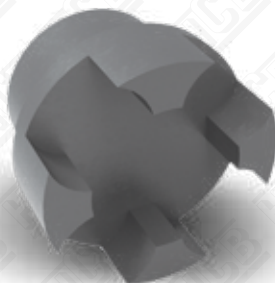


FNH500DB

HOUSING	DIMENSIONS									
	L	J	H ₁	AA	AB	a	ba	bb	D	Kg
FNH515	190	152	95	104	104	25	30	27	168	9,9
FNH516	196	152	98	110	110	25	31	30	176	10,3
FNH517	210	170	105	114	114	25	31	30	188	12,3
FNH518	210	170	105	118	118	25	30	31	198	13,2
FNH520	250	198	125	127	127	30	30	33	224	19,6
FNH522	270	219	135	137	137	30	30	38	246	23



65 MM - 80 MM



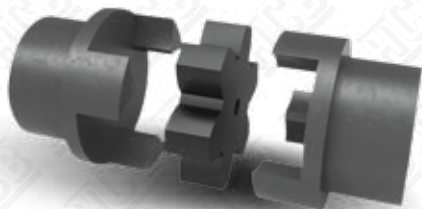
95-110-125-140 MM



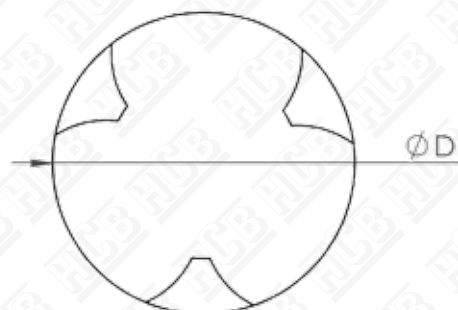
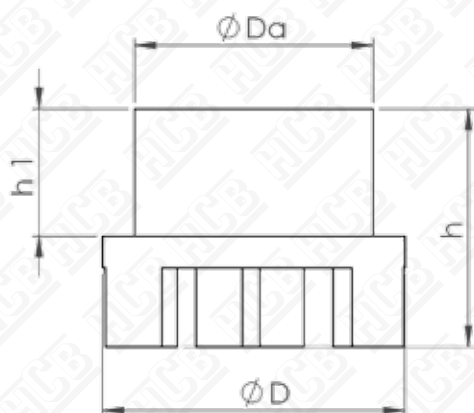
160-180-200 MM



225 MM- 250 MM



Reference	D	Da	h	h1
65mm	65	45	56	27
80mm	80	58	67	34
95mm	95	73	72	38
110mm	110	80	82	45
125mm	125	102	100	56
140mm	140	100	102	53
160mm	160	117	117	62
180mm	180	132	130	66
200mm	200	135	138	72
225mm	225	145	150	80
250mm	250	151	155	86



HCB
SEALING HOUSINGS



hacıbalı

Rulman Yatakları Sanayi ve Tic. A.Ş.

www.hcb.com.tr